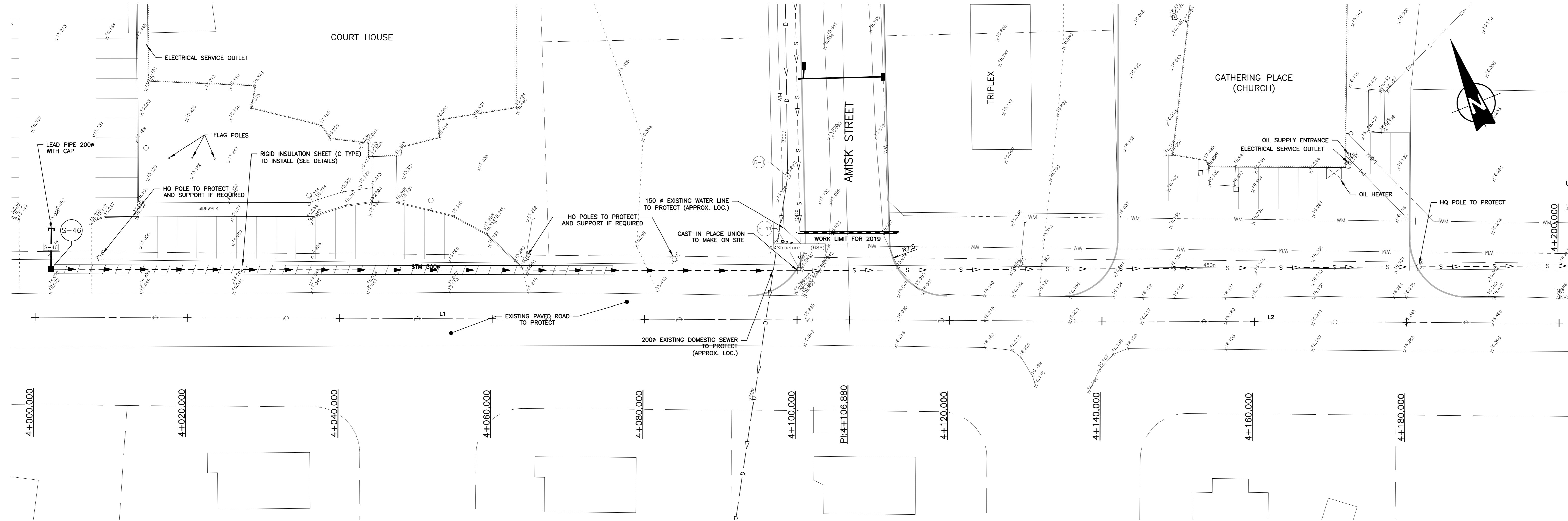


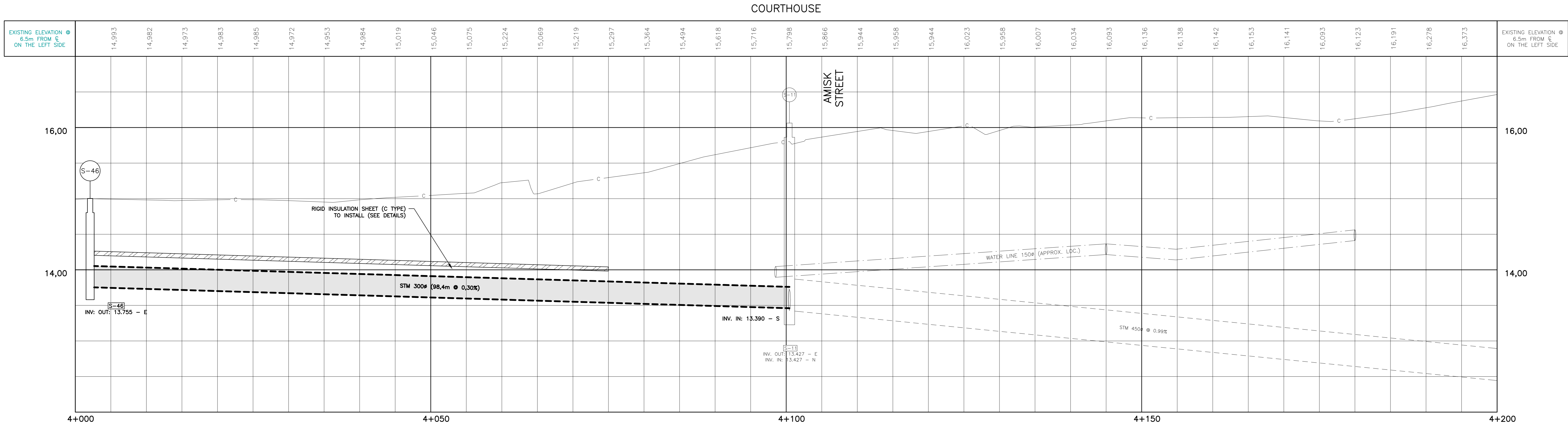
DATE: 2019-03-31 09:55:01, TITRE: 01/01, PLAN: 01/01, PROJET: 01/01, CLIENT: WHAPMAGOOSTUI FIRST NATION, DRAFTER: Y. DURAND, CHECKER: Y. DURAND, PROJECT: WHAPMAGOOSTUI FIRST NATION, STATION: 4+000 TO 4+200, SHEET: C01

2019 INFRASTRUCTURE WORKS

NOTE OF CAUTION
 A 2000 PVC DR35 PIPE WILL BE USED TO CONNECT EACH CATCH BASIN TO THE STORM SEWER SYSTEM



SEE PLAN C02



LEGEND	
EXISTING	PROPOSED

THIS PLAN SHOULD BE USED FOR CONSTRUCTION ONLY IF IT IS SIGNED AND SEALED BY AN ENGINEER AND THE NOTICE TO CONSTRUCTION* APPEAR IN THE REVISION LIST

No.	Date	Description	Par
01	2019-03-31	FOR LIST OF MATERIAL	Y.D.

CONCU PAR	VERSE PAR
INGENIEUR :	



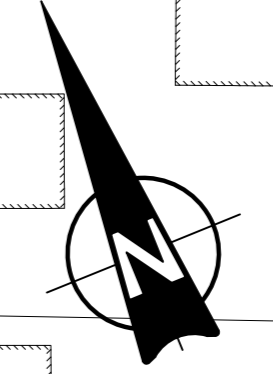
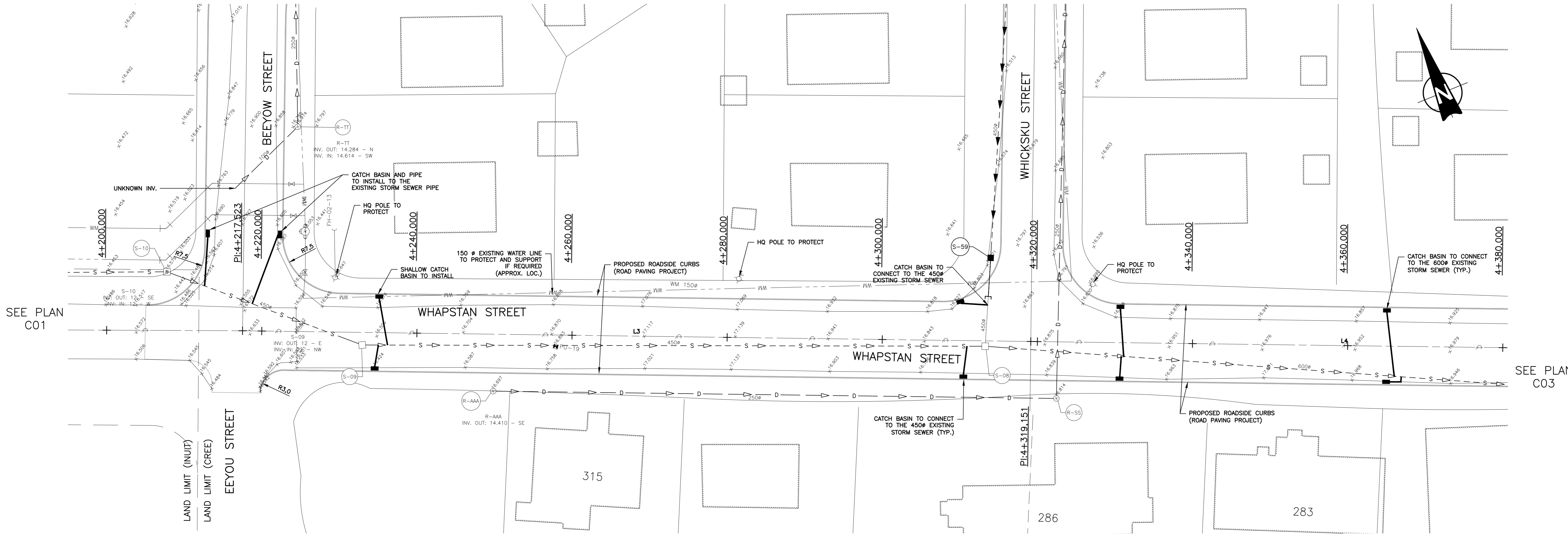
PROJET :
 STORM DRAINAGE CONSTRUCTION AND SANITARY SEWER REPLACEMENT

TITRE DU DESSIN :
 WHAPSTAN STREET
 4+000 @ 4+200

DISCIPLINE :
 INFRASTRUCTURE

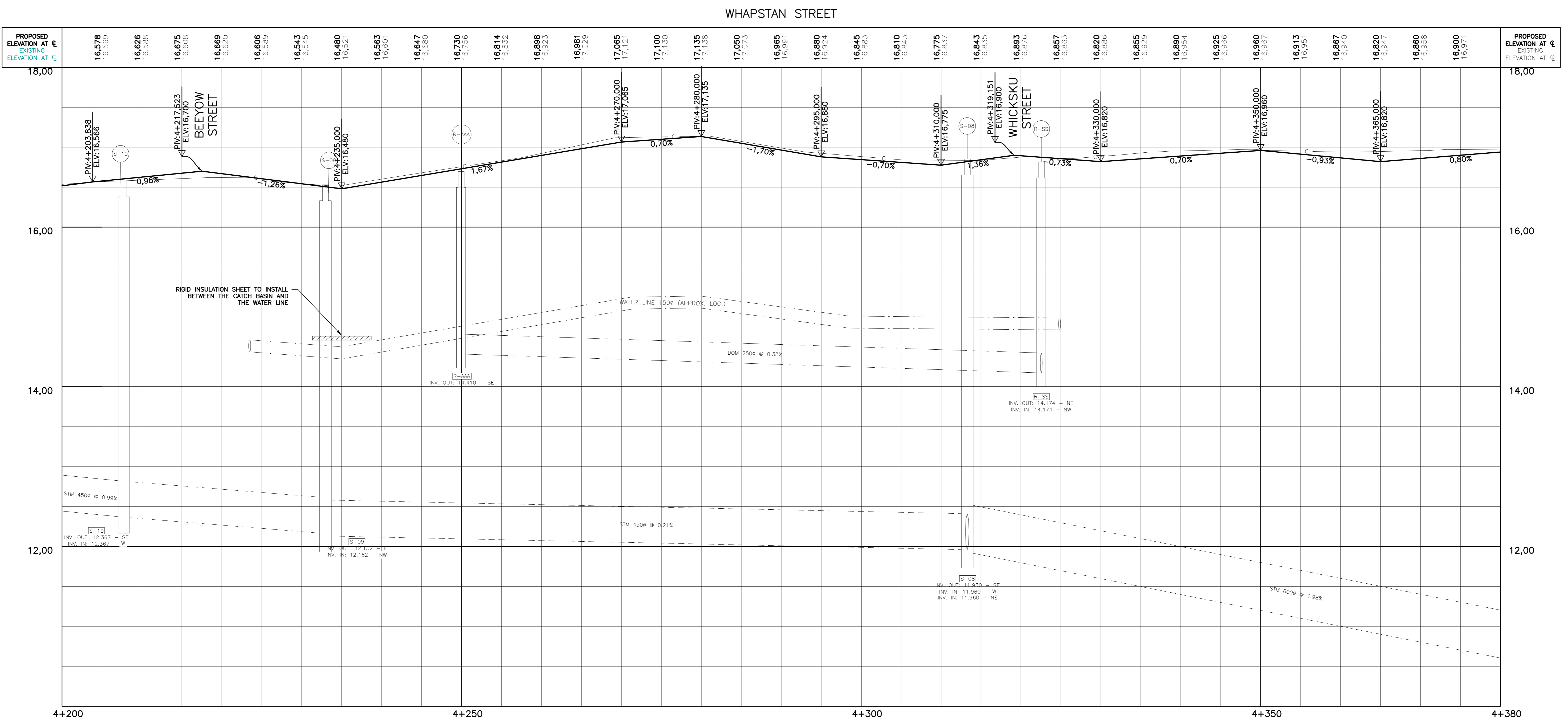
DESSINE PAR : F. Ampleman	RAPPORT : 1:250
CONCU PAR : Y. Durand eng	DATE : 20190301
INGENIEUR : Y. Durand eng	REVISION : Y. Durand eng
PROJET No. : Q182489A	DESSIN No. : C01
FEUILLE No. : C01 DE C13	

DATE: 2019-03-31; DRAWING: 2019-03-31; TABLE: TABLE OF CONTENTS; PROJECT: Storm Drainage Construction and Sanitary Sewer Replacement; CLIENT: Whapmagoostui First Nation; ENGINEER: Y. Durand; CONSULTANT: Y. Durand; PROJECT NO.: Q182489A; SHEET NO.: C02 DE C13



LEGEND	
EXISTING	PROPOSED

THIS PLAN SHOULD BE USED FOR CONSTRUCTION ONLY IF IT IS SIGNED AND SEALED BY AN ENGINEER AND THE NOTICE "FOR CONSTRUCTION" APPEAR IN THE REVISION LIST



CONCUP PAR		VERSE PAR	



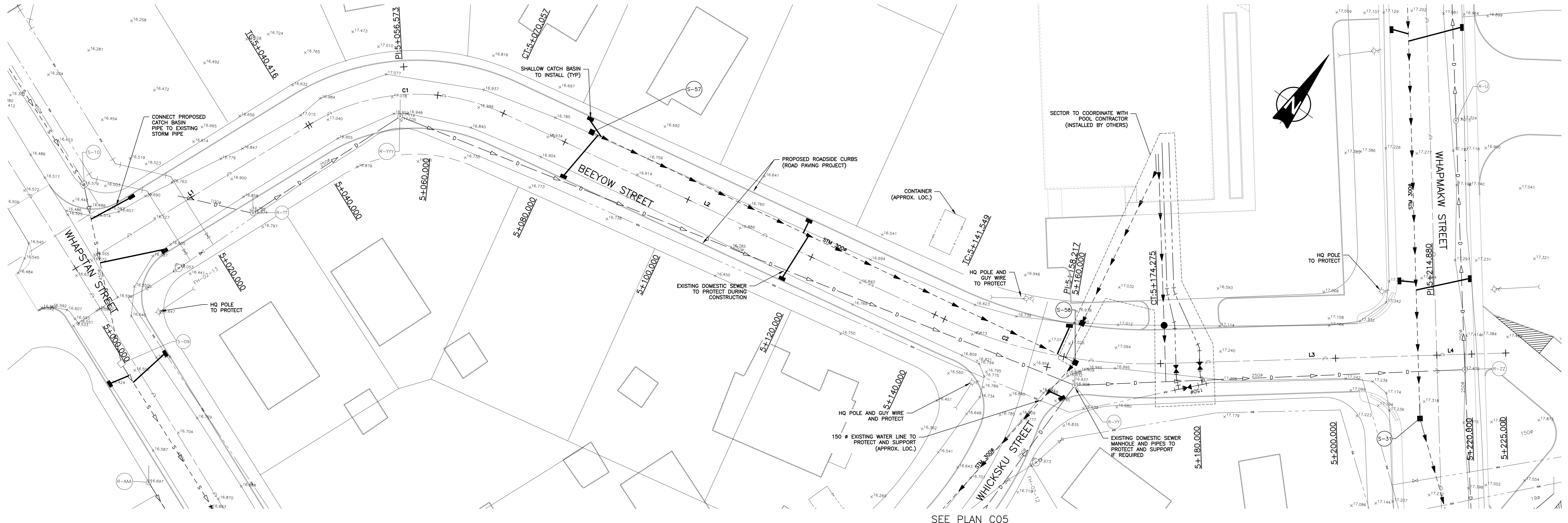
PROJET:
STORM DRAINAGE CONSTRUCTION AND SANITARY SEWER REPLACEMENT

TITRE DU DESSIN:
WHAPSTAN STREET
4+200 @ 4+380

DISCIPLINE:
INFRASTRUCTURE

DESSINE PAR: F. Ampleman	RAPPORT: 1:250
CONCUP PAR: Y. Durand eng	DATE: 20190301
VERSE PAR: Y. Durand eng	DESSINER: Y. Durand eng
PROJET No: Q182489A	DESSIN No: C02
FEUILLE No: C02 DE C13	

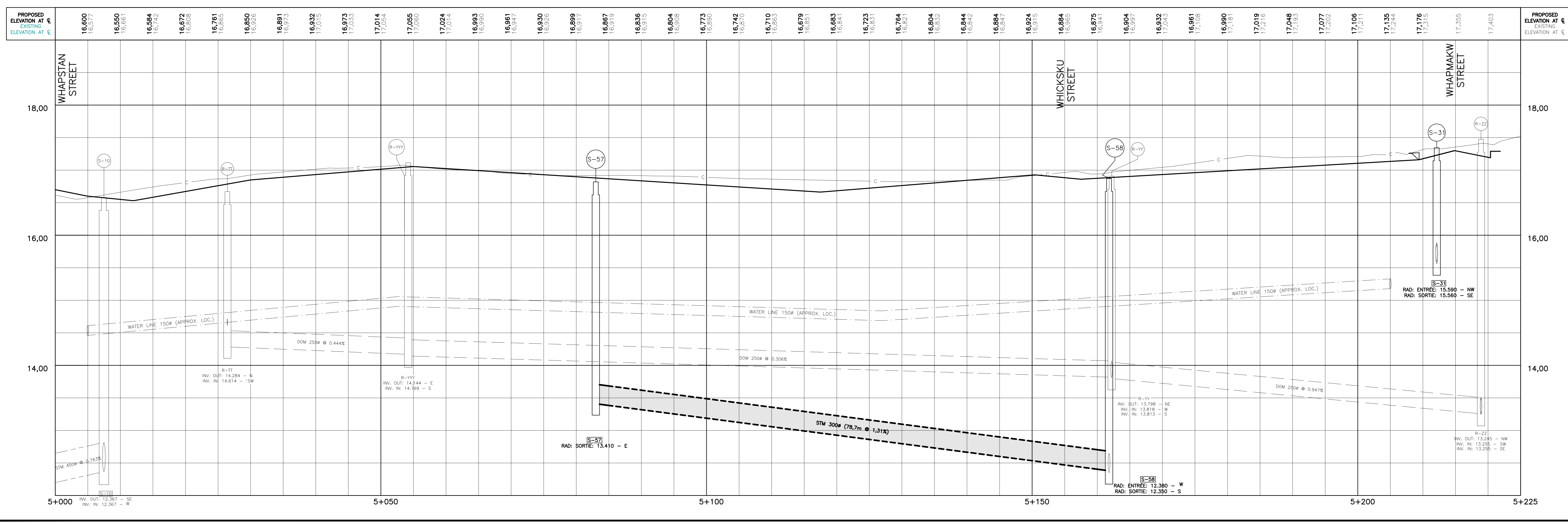
DATE: 2019-03-31; 2:00 PM; FILE: C04.dwg; PROJECT: STORM DRAINAGE CONSTRUCTION AND SANITARY SEWER REPLACEMENT; CLIENT: WHAPMAGOOSTUI FIRST NATION; DRAWN: Y. DURAND; CHECKED: Y. DURAND; PROJECT NO.: Q182489A; FEUILLE NO.: C04 DE C13



NOTE OF CAUTION
A 2000 PVC DR35 PIPE WILL BE USED TO CONNECT EACH CATCH BASIN TO THE STORM SEWER SYSTEM

LEGEND	
EXISTING	PROPOSED

THIS PLAN SHOULD BE USED FOR CONSTRUCTION ONLY IF IT IS SIGNED AND SEALED BY AN ENGINEER AND THE NOTICE TO CONSTRUCTION* APPEAR IN THE REVISION LIST



No.	Date	FOR LIST OF MATERIAL	Description	Par
01	2019-03-31			Y.D.

CONCUP PAR: VERSE PAR:

INGÉNIEUR:

CLIENT: WHAPMAGOOSTUI FIRST NATION

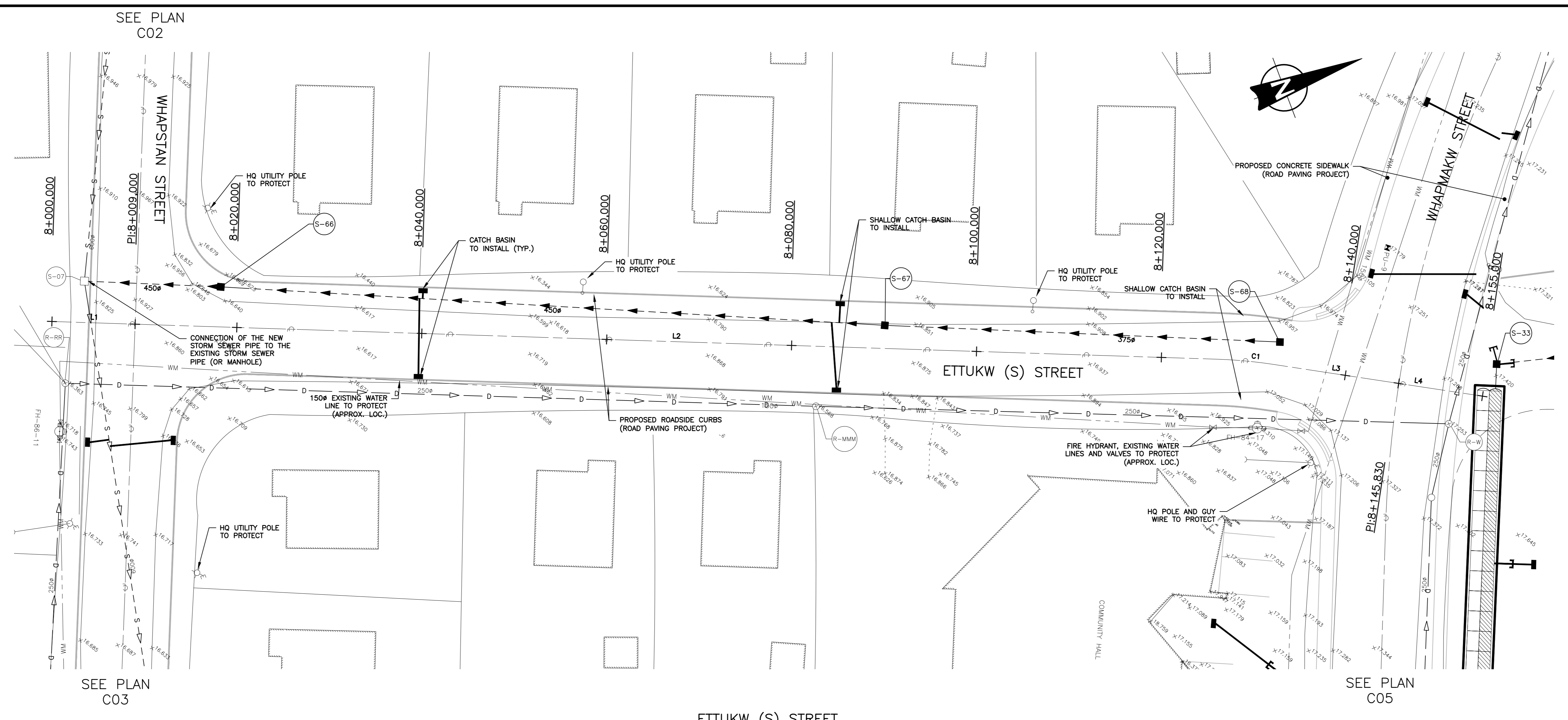
PROJET: STORM DRAINAGE CONSTRUCTION AND SANITARY SEWER REPLACEMENT

TITRE DU DESSIN: BEEYOW STREET 5+000 @ 5+225

DISCIPLINE: INFRASTRUCTURE

DESSINE PAR: F. Ampleman	RAPPORT: 1:250
CONCUP PAR: Y. Durand eng	DATE: 20190301
INGÉNIEUR: Y. Durand eng	PROJET: Q182489A
PROJET No: Q182489A	DESSIN No: C04
FEUILLE No: C04 DE C13	

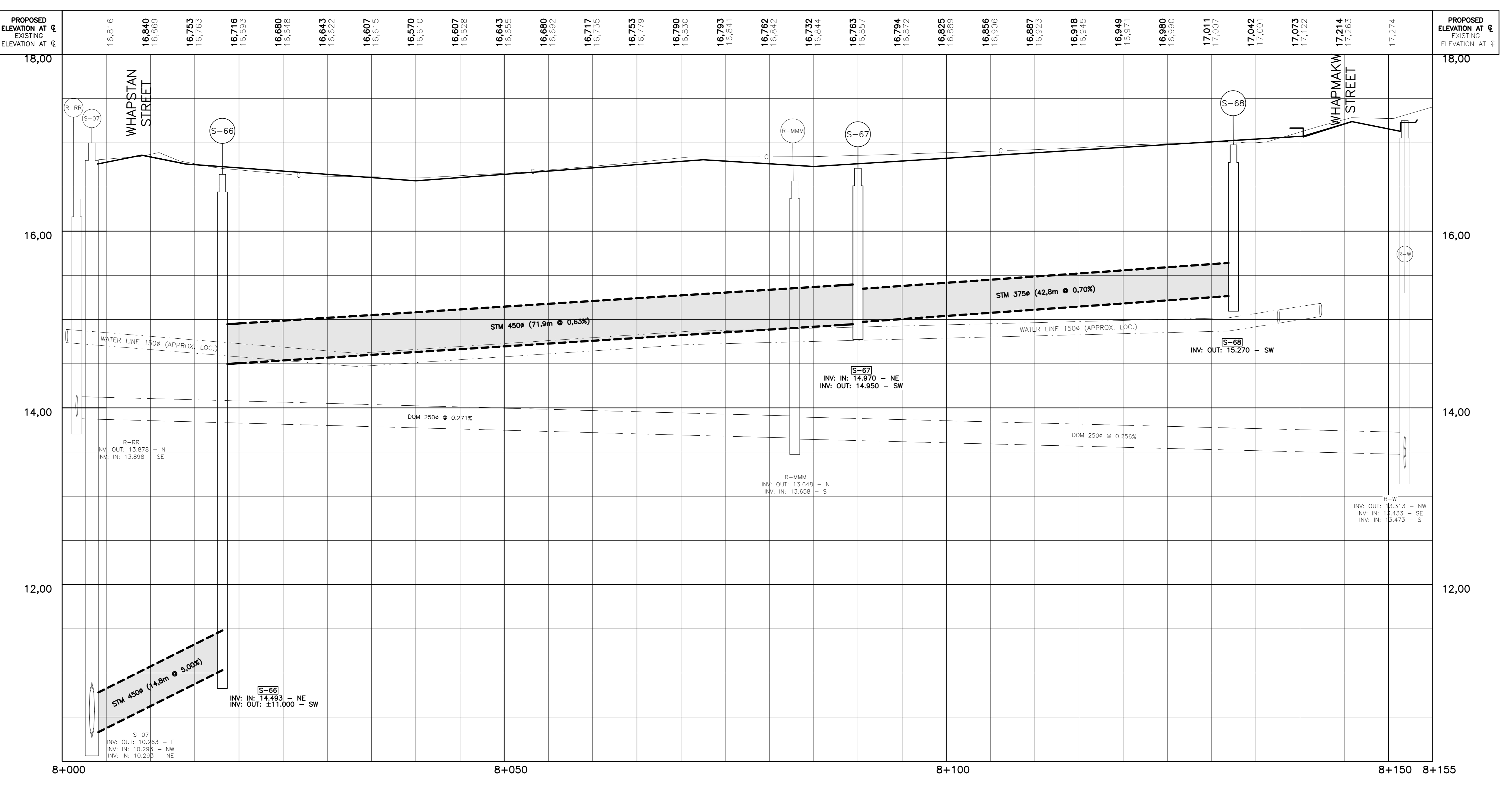
CARTEOUCHE ET MODÈLE VERT F13.0
DATE DE RÉVISION : 2019-03-31, TABLEAU DE RÉVISION : 1
CHÉMIN : Z:\Cim\400-Projet\OUT\02489A_C06 - Ebaux (S) Long / PRÉSENTATION_C06



NOTE OF CAUTION
A 2000 PVC DR35 PIPE WILL BE USED TO CONNECT EACH CATCH BASIN TO THE STORM SEWER SYSTEM

LEGEND

EXISTING	PROPOSED	
[Symbol]	[Symbol]	SURVEY MARK
[Symbol]	[Symbol]	BENCHMARK
[Symbol]	[Symbol]	LOT LINE
[Symbol]	[Symbol]	BUILDING
[Symbol]	[Symbol]	TOP OF SLOPE
[Symbol]	[Symbol]	BOTTOM OF SLOPE
[Symbol]	[Symbol]	WOODED BOUNDARY
[Symbol]	[Symbol]	FENCE
[Symbol]	[Symbol]	HEDGE
[Symbol]	[Symbol]	COUNTOUR LINE
[Symbol]	[Symbol]	WATER LINE (plan)
[Symbol]	[Symbol]	WATER LINE (profile)
[Symbol]	[Symbol]	FIRE HYDRANT
[Symbol]	[Symbol]	VALVE
[Symbol]	[Symbol]	SERVICE CONNECTION
[Symbol]	[Symbol]	DITCH (plan)
[Symbol]	[Symbol]	STORM SEWER LINE (plan)
[Symbol]	[Symbol]	DOMESTIC SEWER LINE (plan)
[Symbol]	[Symbol]	STORM SEWER LINE (profile)
[Symbol]	[Symbol]	DOMESTIC SEWER LINE (profile)
[Symbol]	[Symbol]	STORM MANHOLE
[Symbol]	[Symbol]	CATCH BASIN
[Symbol]	[Symbol]	LEFT SIDE (profile)
[Symbol]	[Symbol]	CENTER LINE
[Symbol]	[Symbol]	RIGHT SIDE (profile)
[Symbol]	[Symbol]	GRAVEL SHOULDER
[Symbol]	[Symbol]	CURB
[Symbol]	[Symbol]	SIDEWALK
[Symbol]	[Symbol]	PAVING
[Symbol]	[Symbol]	SAFETY BARRIER
[Symbol]	[Symbol]	RETAINING WALL
[Symbol]	[Symbol]	RAILROAD
[Symbol]	[Symbol]	LAMP POST
[Symbol]	[Symbol]	UNDERGROUND TELEPHONE NETWORK
[Symbol]	[Symbol]	OVERHEAD TELEPHONE NETWORK
[Symbol]	[Symbol]	UNDERGROUND CABLE NETWORK
[Symbol]	[Symbol]	OVERHEAD TELEPHONE NETWORK
[Symbol]	[Symbol]	TELEPHONE POST
[Symbol]	[Symbol]	ELECTRIC POST
[Symbol]	[Symbol]	COMMUNICATION MANHOLE
[Symbol]	[Symbol]	UNDERGROUND ELECTRIC NETWORK
[Symbol]	[Symbol]	OVERHEAD ELECTRIC NETWORK
[Symbol]	[Symbol]	ELECTRIC MANHOLE
[Symbol]	[Symbol]	GAS LINE
[Symbol]	[Symbol]	UNDERGROUND LIGHTING NETWORK
[Symbol]	[Symbol]	OVERHEAD LIGHTING NETWORK



THIS PLAN SHOULD BE USED FOR CONSTRUCTION ONLY IF IT IS SIGNED AND SEALED BY AN ENGINEER AND THE NOTICE TO CONSTRUCTION* APPEAR IN THE REVISION LIST

No.	Date	FOR LIST OF MATERIAL	Description	Par
01	2019-03-31			Y.D.

INGÉNIEUR :

CONÇU PAR : VERGÉ PAR :

CLIENT :

PROJET :

STORM DRAINAGE CONSTRUCTION AND SANITARY SEWER REPLACEMENT

TITRE DU DESSIN :

ETTUKW STREET (SOUTH)

8+000 @ 8+155

DISCIPLINE :

INFRASTRUCTURE

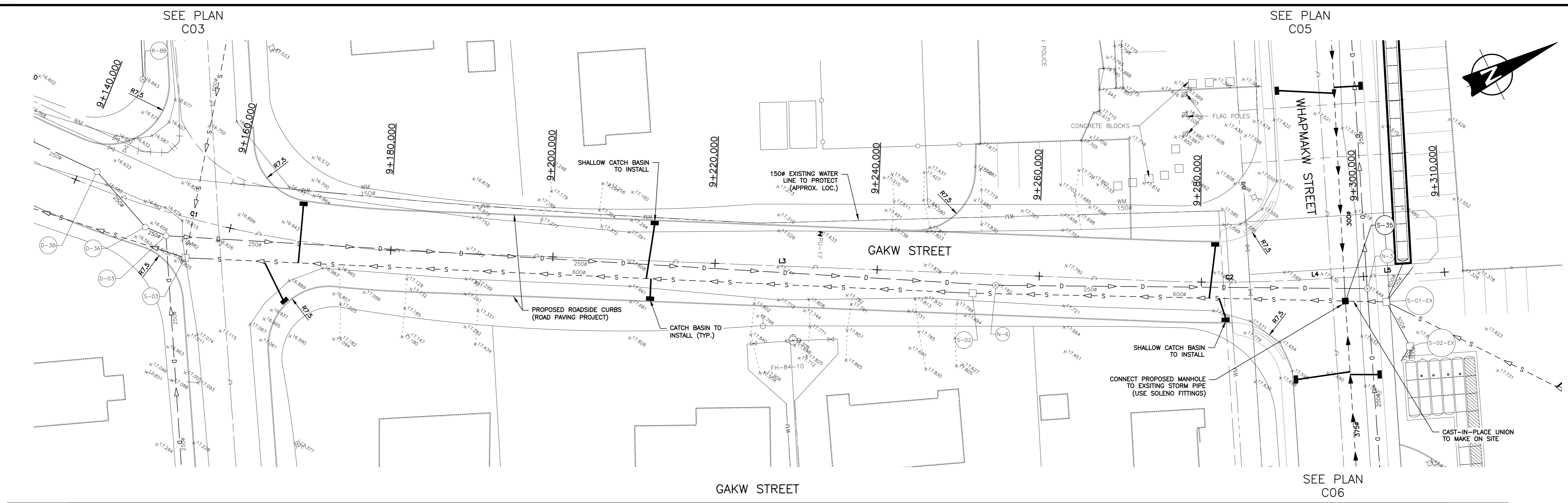
DESSINE PAR :	RAPPORT :
F. Ampleman	1:250

CONÇU PAR :	DATE :
Y. Durand eng	20190301

PROJET No. :	DESSIN No. :
Q182489A	C06

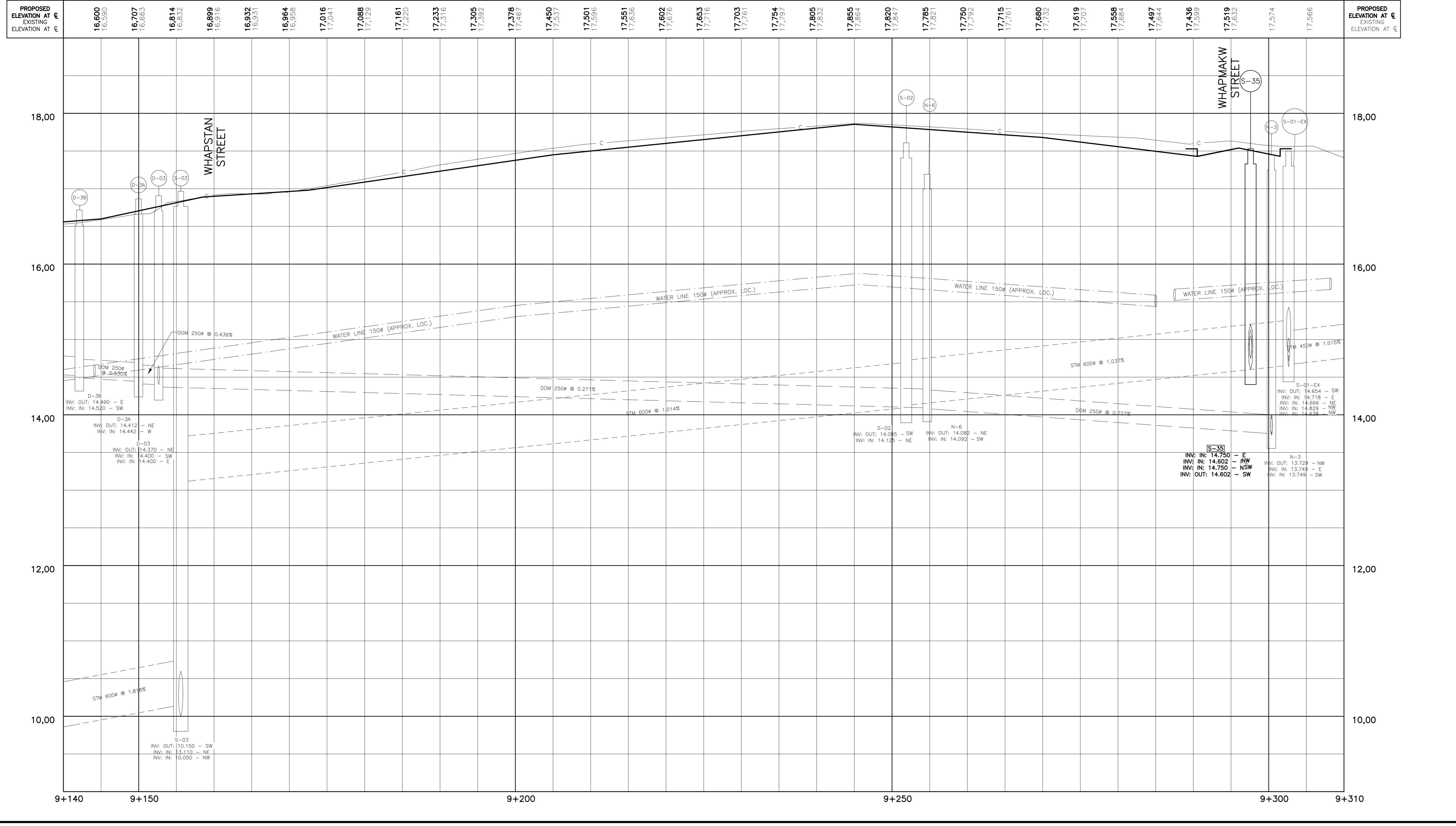
FEUILLE No. :	C06 DE C13
---------------	------------

DATE: 2019-03-31 11:58 AM; FILE: D:\PAPER - 4247; C:\Users\j.durand\Documents\Projects\Whapmagoostui\1812489A_C07_Gakw.dwg / PRESENTATION; C:\Users\j.durand\Documents\Projects\Whapmagoostui\1812489A_C07.dwg; PROJECT: STORM DRAINAGE CONSTRUCTION AND SANITARY SEWER REPLACEMENT; CLIENT: WHAPMAGOOSTUI FIRST NATION; DRAWN: J. Durand; CHECKED: Y. Durand; PROJECT NO.: Q182489A; FEUILLE NO.: C07 DE C13



NOTE OF CAUTION
A 2000 PVC DR35 PIPE WILL BE USED TO CONNECT EACH CATCH BASIN TO THE STORM SEWER SYSTEM

LEGEND	
EXISTING	PROPOSED



THIS PLAN SHOULD BE USED FOR CONSTRUCTION ONLY IF IT IS SIGNED AND SEALED BY AN ENGINEER AND THE NOTICE TO CONSTRUCTION* APPEAR IN THE REVISION LIST

No.	Date	FOR LIST OF MATERIAL	Y.D.
01	2019-03-31	FOR LIST OF MATERIAL	Y.D.

No.	Date	Description	Par
-----	------	-------------	-----

CONCU PAR		VERIFÉ PAR
INGÉNIEUR :		

CIMA+ CHÉMBIA
1 818 623-2273 F 418 623-2521
300-1143, rue Lacombe, Québec, QC G2K 2H3 CANADA

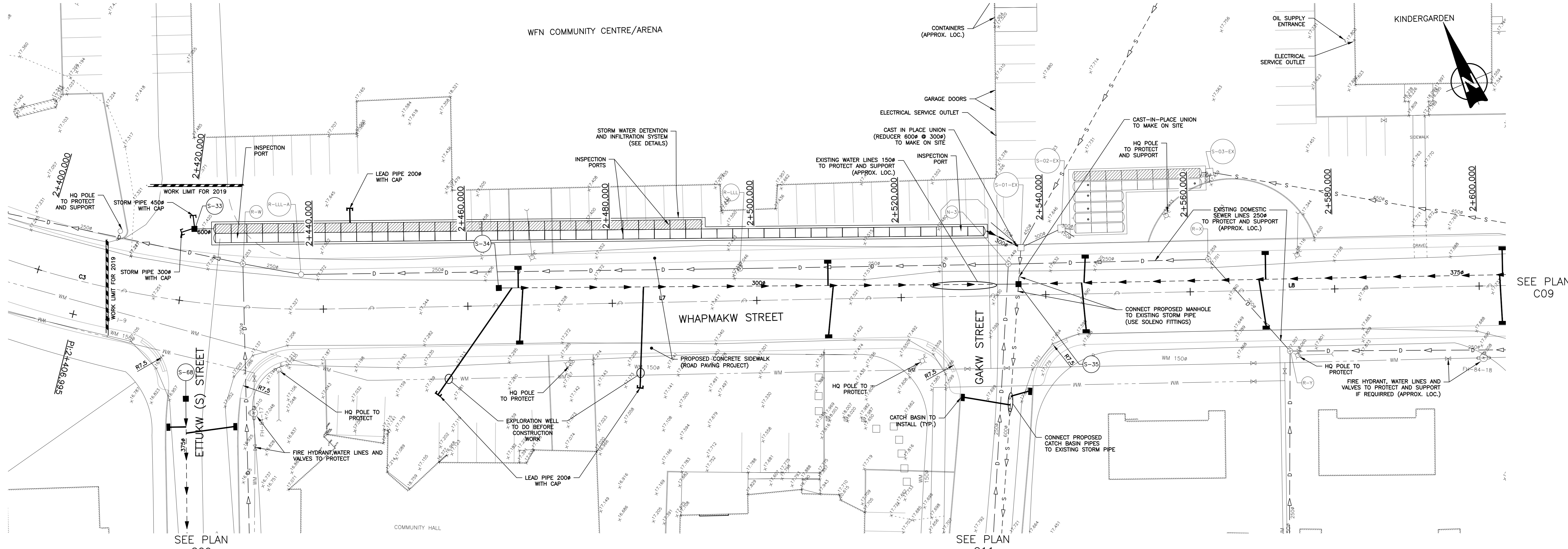
CLIENT :
 WHAPMAGOOSTUI FIRST NATION

PROJET :
STORM DRAINAGE CONSTRUCTION AND SANITARY SEWER REPLACEMENT

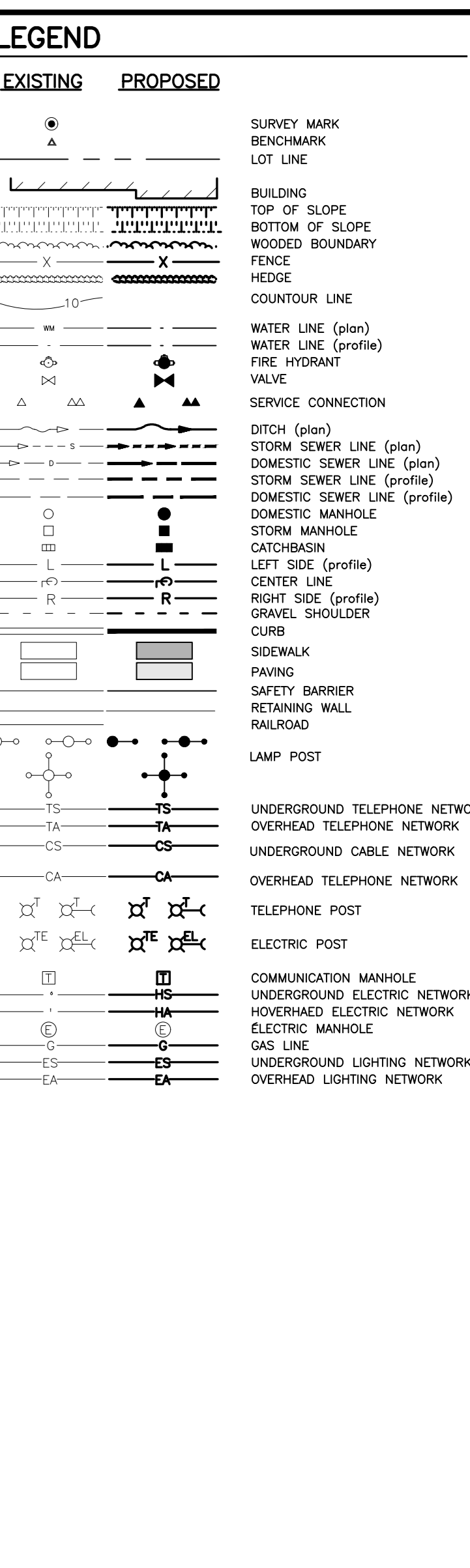
TITRE DU DESSIN :
GAKW STREET
9+140 @ 9+310

DISCIPLINE : INFRASTRUCTURE	
DESSINE PAR : F. Ampleman	RAPPORT : 1:250
CONCU PAR : Y. Durand eng	DATE : 20190301
VERIFÉ PAR : Y. Durand eng	PROJET No. : Q182489A
PROJET No. : Q182489A	DESSIN No. : C07
FEUILLE No. : C07 DE C13	

DATE: 2019-03-31; DRAWING: 1 - TABLE OF CONTENTS; PROJECT: WHAPMAKW STREET SANITARY AND STORM DRAINAGE CONSTRUCTION AND SANITARY SEWER REPLACEMENT; CLIENT: WHAPMAGOOSTUI FIRST NATION; ENGINEER: CLM+; PROJECT NO: Q182489A; SHEET NO: C08 DE C13

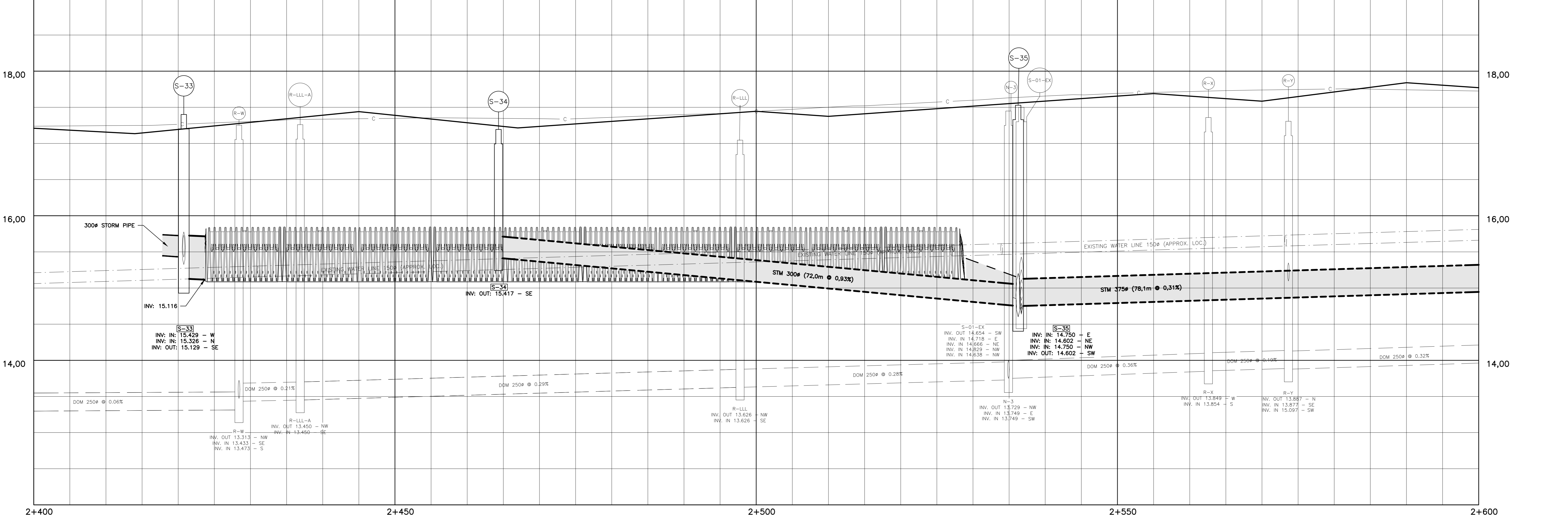


NOTE OF CAUTION
A 2000 PVC DR35 PIPE WILL BE USED TO CONNECT EACH CATCH BASIN TO THE STORM SEWER SYSTEM



THIS PLAN SHOULD BE USED FOR CONSTRUCTION ONLY IF IT IS SIGNED AND SEALED BY AN ENGINEER AND THE NOTICE "FOR CONSTRUCTION" APPEAR IN THE REVISION LIST

PROPOSED ELEVATION ON THE LEFT SIDE EXISTING ELEVATION ON THE LEFT SIDE	PROPOSED ELEVATION AT €	PROPOSED ELEVATION ON THE RIGHT SIDE EXISTING ELEVATION ON THE RIGHT SIDE
BREAK 2+400.0000 17.10	17.074	BREAK 2+400.0000 17.05
17.074	17.241	17.019
17.047	17.240	17.243
BREAK 2+410.0000 17.230	17.246	16.992
17.145	17.246	17.246
17.194	17.242	BREAK 2+420.0000 17.230
17.252	17.242	17.145
17.182	17.242	17.029
17.336	17.242	17.265
17.341	17.242	17.127
17.281	17.242	17.305
17.419	17.242	17.176
BREAK 2+440.0000 17.325	17.341	17.176
17.389	17.341	17.226
17.338	17.341	17.336
17.228	17.341	BREAK 2+445.0000 17.265
17.423	17.341	17.198
17.177	17.341	17.355
17.462	17.341	17.159
BREAK 2+467.0000 17.265	17.287	17.287
17.235	17.287	17.287
17.120	17.287	17.120
17.347	17.287	BREAK 2+467.0000 17.10
17.10	17.287	17.126
17.236	17.287	17.236
17.161	17.287	17.161
17.367	17.287	17.367
17.196	17.287	17.196
17.362	17.287	17.362
17.230	17.287	17.230
17.340	17.287	17.340
17.283	17.287	17.283
17.265	17.287	17.265
17.375	17.287	17.375
17.401	17.287	17.401
17.300	17.287	17.300
17.410	17.287	17.410
17.269	17.287	17.269
BREAK 2+473.0000 17.333	17.444	BREAK 2+473.0000 17.333
17.300	17.444	17.300
17.410	17.444	17.410
17.269	17.444	17.269
BREAK 2+473.0000 17.333	17.375	BREAK 2+473.0000 17.333
17.300	17.375	17.300
17.410	17.375	17.410
17.269	17.375	17.269
17.336	17.375	17.336
17.347	17.375	17.347
17.371	17.375	17.371
17.481	17.375	17.481
17.408	17.375	17.408
17.516	17.375	17.516
BREAK 2+480.0000 17.433	17.516	BREAK 2+480.0000 17.433
17.408	17.516	17.408
17.516	17.516	17.516
17.476	17.516	17.476
17.586	17.516	17.586
17.621	17.516	17.621
17.655	17.516	17.655
17.690	17.516	17.690
17.706	17.516	17.706
17.544	17.516	17.544
17.720	17.516	17.720
17.510	17.516	17.510
17.747	17.516	17.747
BREAK 2+490.0000 17.417	17.585	BREAK 2+490.0000 17.417
17.539	17.585	17.539
17.649	17.585	17.649
17.575	17.585	17.575
17.724	17.585	17.724
17.603	17.585	17.603
17.754	17.585	17.754
17.667	17.585	17.667
17.777	17.585	17.777
17.840	17.585	17.840
17.742	17.585	17.742
BREAK 2+495.0000 17.468	17.806	BREAK 2+495.0000 17.468
17.696	17.806	17.696
17.841	17.806	17.841
17.691	17.806	17.691
17.81	17.806	17.81
BREAK 2+495.0000 17.66	17.66	BREAK 2+495.0000 17.66
17.66	17.66	17.66
PROPOSED ELEVATION ON THE LEFT SIDE EXISTING ELEVATION ON THE LEFT SIDE	PROPOSED ELEVATION AT €	PROPOSED ELEVATION ON THE RIGHT SIDE EXISTING ELEVATION ON THE RIGHT SIDE



SI	2019-03-31	FOR LIST OF MATERIAL	Y.D.
No.	Date	Description	Par

CONCU PAR: VERSE PAR

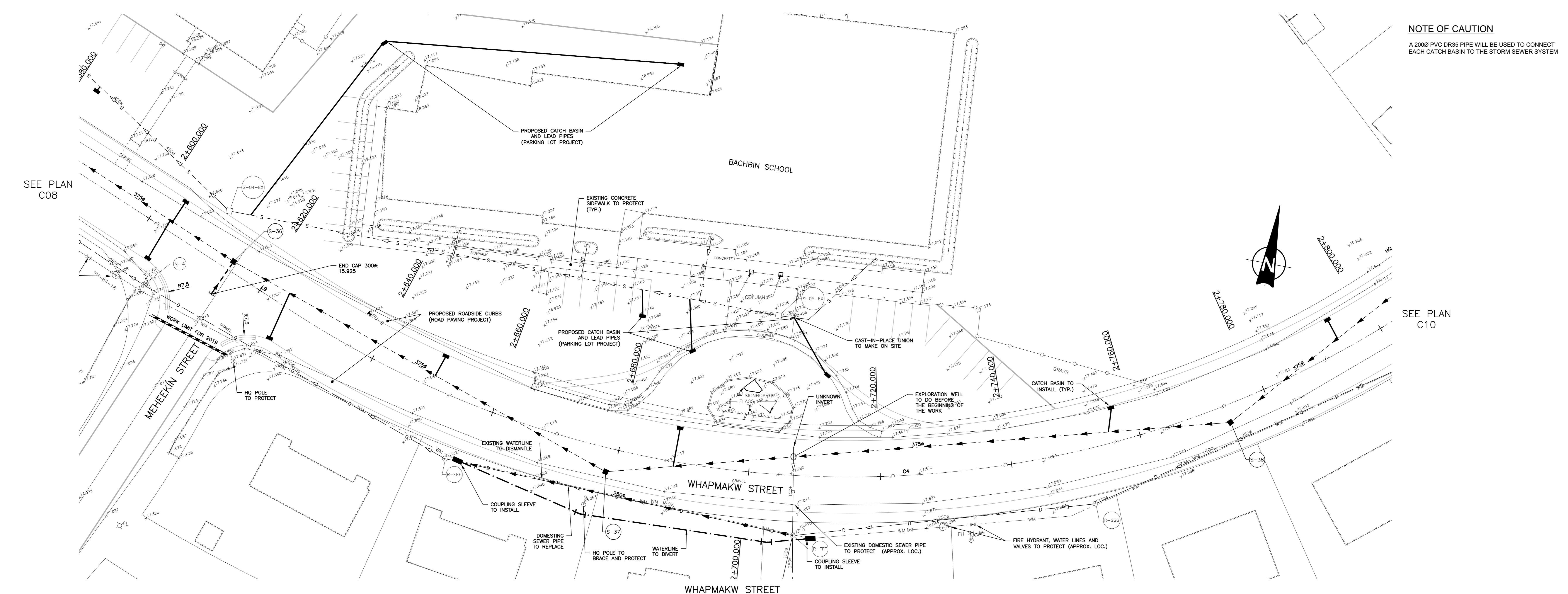


PROJECT:
STORM DRAINAGE CONSTRUCTION AND SANITARY SEWER REPLACEMENT

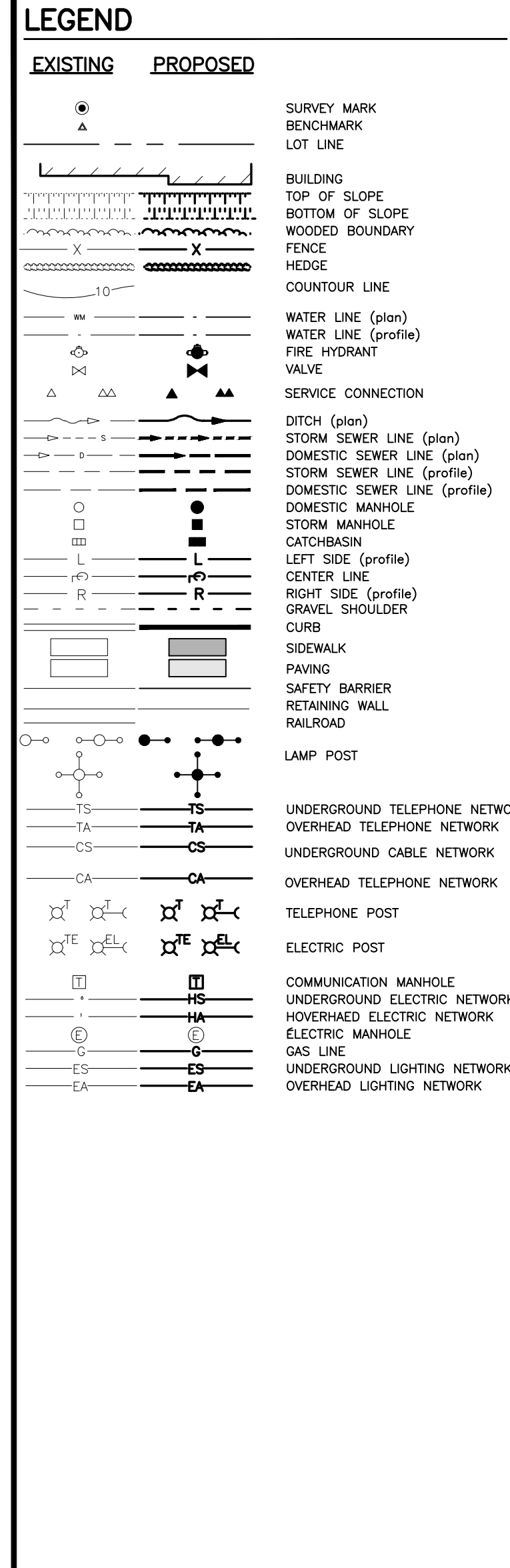
TITRE DU DESSIN:
WHAPMAKW STREET
2+400 @ 2+600

DISCIPLINE:
INFRASTRUCTURE

DESSINE PAR:	RAPPORT:
F. Ampleman	1:250
Y. Durand eng	20190301
Y. Durand eng	Y. Durand eng
Y. Durand eng	Y. Durand eng
PROJET No: Q182489A	DESSIN No:
FEUILLE No: C08 DE C13	C08

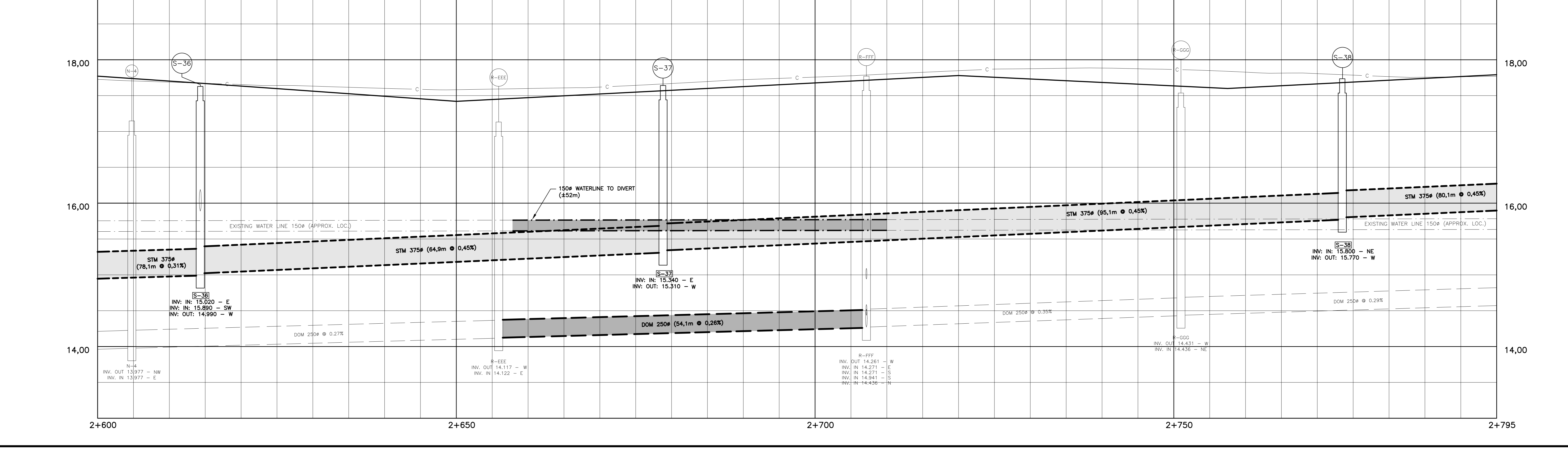


NOTE OF CAUTION
 A 2000 PVC DR35 PIPE WILL BE USED TO CONNECT EACH CATCH BASIN TO THE STORM SEWER SYSTEM



THIS PLAN SHOULD BE USED FOR CONSTRUCTION ONLY IF IT IS SIGNED AND SEALED BY AN ENGINEER AND THE NOTICE TO CONSTRUCTION* APPEAR IN THE REVISION LIST

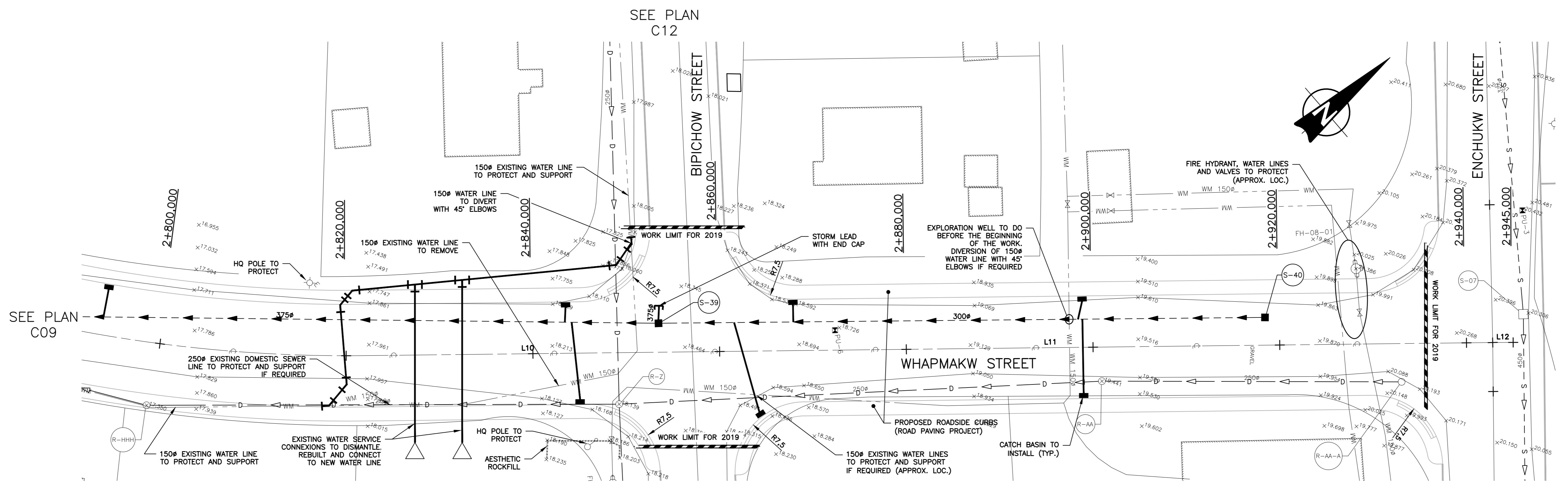
	STATION	PROPOSED ELEVATION ON THE LEFT SIDE	EXISTING ELEVATION ON THE LEFT SIDE	PROPOSED ELEVATION AT E	EXISTING ELEVATION AT E	PROPOSED ELEVATION ON THE RIGHT SIDE	EXISTING ELEVATION ON THE RIGHT SIDE
	2+600.000	17.861	17.861	17.627	17.748	17.580	17.686
	2+605.000	17.572	17.635	17.705	17.748	17.748	17.748
	2+610.000	17.538	17.538	17.703	17.742	17.703	17.742
	2+615.000	17.468	17.468	17.688	17.671	17.688	17.671
	2+620.000	17.468	17.468	17.633	17.635	17.633	17.635
	2+625.000	17.433	17.433	17.588	17.641	17.588	17.641
	2+630.000	17.397	17.397	17.562	17.632	17.562	17.632
	2+635.000	17.362	17.362	17.527	17.616	17.527	17.616
	2+640.000	17.326	17.326	17.491	17.601	17.491	17.601
	2+645.000	17.291	17.291	17.456	17.585	17.456	17.585
	BREAK 2+650.000						
	2+650.000	17.420	17.426	17.420	17.426	17.420	17.426
	2+655.000	17.383	17.383	17.446	17.489	17.446	17.489
	2+660.000	17.348	17.348	17.412	17.451	17.412	17.451
	2+665.000	17.311	17.311	17.377	17.419	17.377	17.419
	2+670.000	17.274	17.274	17.342	17.389	17.342	17.389
	2+675.000	17.238	17.238	17.307	17.353	17.307	17.353
	2+680.000	17.201	17.201	17.271	17.317	17.271	17.317
	2+685.000	17.164	17.164	17.235	17.281	17.235	17.281
	2+690.000	17.127	17.127	17.199	17.245	17.199	17.245
	2+695.000	17.090	17.090	17.162	17.208	17.162	17.208
	2+700.000	17.052	17.052	17.125	17.171	17.125	17.171
	2+705.000	17.015	17.015	17.088	17.134	17.088	17.134
	2+710.000	16.977	16.977	17.051	17.097	17.051	17.097
	2+715.000	16.940	16.940	17.014	17.060	17.014	17.060
	2+720.000	16.902	16.902	16.977	17.023	16.977	17.023
	2+725.000	16.864	16.864	16.940	16.986	16.940	16.986
	2+730.000	16.827	16.827	16.903	16.949	16.903	16.949
	2+735.000	16.790	16.790	16.866	16.912	16.866	16.912
	2+740.000	16.752	16.752	16.829	16.875	16.829	16.875
	2+745.000	16.715	16.715	16.792	16.838	16.792	16.838
	2+750.000	16.677	16.677	16.755	16.801	16.755	16.801
	2+755.000	16.640	16.640	16.718	16.764	16.718	16.764
	2+760.000	16.602	16.602	16.681	16.727	16.681	16.727
	2+765.000	16.564	16.564	16.644	16.690	16.644	16.690
	2+770.000	16.527	16.527	16.607	16.653	16.607	16.653
	2+775.000	16.490	16.490	16.570	16.616	16.570	16.616
	2+780.000	16.452	16.452	16.533	16.579	16.533	16.579
	2+785.000	16.415	16.415	16.496	16.542	16.496	16.542
	2+790.000	16.377	16.377	16.459	16.505	16.459	16.505
	2+795.000	16.340	16.340	16.422	16.468	16.422	16.468



DATE: 2019-03-21 11:15:15 FILE: 01.dwg USER: ydurand PROJECT: Storm Drainage Construction and Sanitary Sewer Replacement - Whapmakw Street DRAWN: Z.Champagne/Project/CAD/0242489A_CHK/VPN Technical assistance: Infrastructure Projects/0242489A_C09/C10 Whapmakw Street PRESENTATION: C09

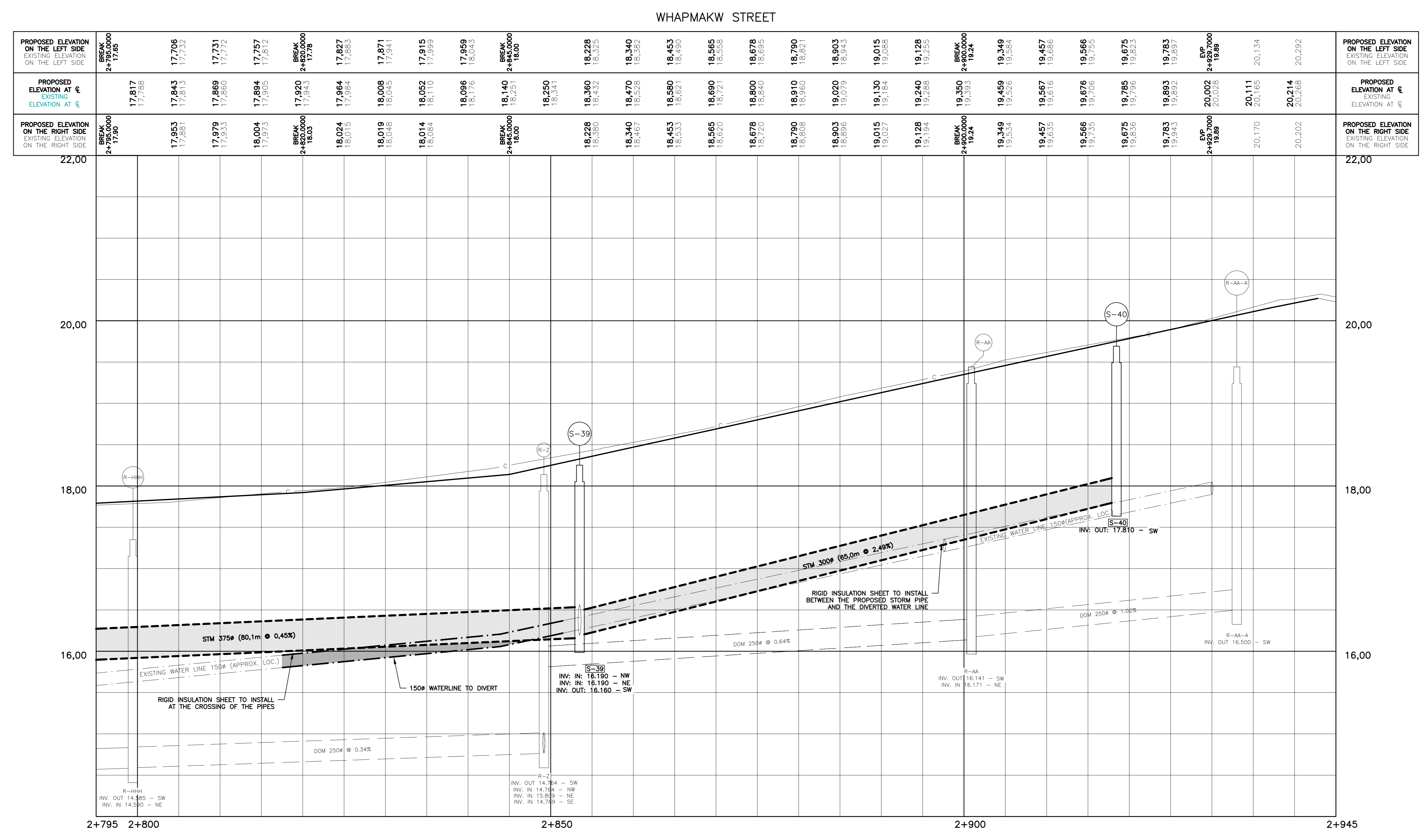
SI	2019-03-21	FOR LIST OF MATERIAL	Y.D.
No.	Date	Description	Par
SCEAUX:			
CONCUP PAR VERSE PAR			
CLIENT: WHAPMAGOOSTUI FIRST NATION			
PROJECT: STORM DRAINAGE CONSTRUCTION AND SANITARY SEWER REPLACEMENT			
TITRE DU DESSIN: WHAPMAKW STREET			
2+600 @ 2+795			
DISCIPLINE: INFRASTRUCTURE			
DESSINE PAR: F. Ampleman	RAPPORT: 1:250		
CONCUP PAR: Y. Durand eng	DATE: 20190301		
CHARGE PAR: Y. Durand eng	REVISER: Y. Durand eng		
PROJET No: Q12489A	DESSIN No: C09		
FEUILLE No: C09 DE C13			

DATE: 2019-03-31 11:58 AM; FILE: D:\PAPER - 444; C:\BNI\2_Cim-400\Projets\Whapmagostui\Material\2019\LOT 320\182489A_C08\C10 - Whapmagostui - Presentation; C10
 C:\BNI\2_Cim-400\Projets\Whapmagostui\Material\2019\LOT 320\182489A_C08\C10 - Whapmagostui - Presentation; C10



NOTE OF CAUTION
 A 2000 PVC DR35 PIPE WILL BE USED TO CONNECT EACH CATCH BASIN TO THE STORM SEWER SYSTEM

LEGEND	
EXISTING	PROPOSED



THIS PLAN SHOULD BE USED FOR CONSTRUCTION ONLY IF IT IS SIGNED AND SEALED BY AN ENGINEER AND THE NOTICE TO CONSTRUCTION* APPEAR IN THE REVISION LIST

No.	Date	FOR LIST OF MATERIAL	Y.D.
01	2019-03-31	FOR LIST OF MATERIAL	Y.D.

CONCU PAR: VERSE PAR:

INGENIEUR:

CIM+ OHEBMA
 1 418 623-2373 F 418 623-3521
 300-1143, 1001 Lakeshore Blvd. East, Suite 100, Mississauga, ON L4Y 1G7 CANADA

CLIENT:

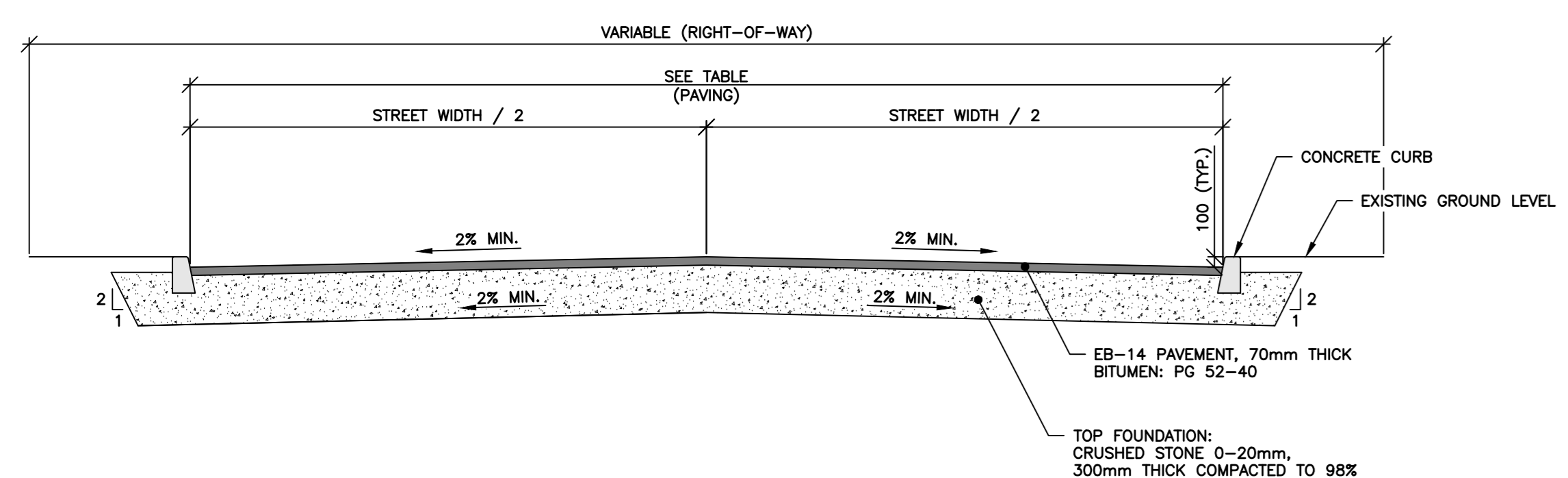
WHAPMAGOOSTUI FIRST NATION

PROJET: **STORM DRAINAGE CONSTRUCTION AND SANITARY SEWER REPLACEMENT**

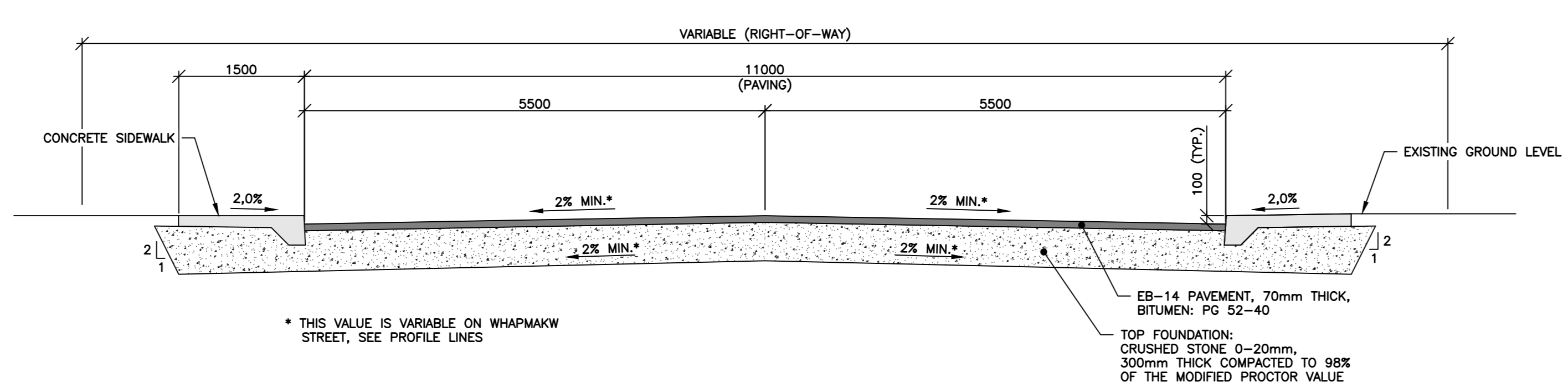
TITRE DU DESSIN: **WHAPMAKW STREET**
2+795 @ 2+945

DISCIPLINE: INFRASTRUCTURE	
DESSINE PAR: F. Ampleman	RAPPORT: 1:250
CONCU PAR: Y. Durand eng	DATE: 20190301
INGENIEUR: Y. Durand eng	PROJET: Q182489A
PROJET No: Q182489A	DESSIN No: C10
FEUILLE No: C10 DE C13	

DATE: 2019-03-31 10:45:00 AM
 DRAWING: 2.0mm-400-Project-01-02-2489A - CONCUR
 PROJECT: Storm Drainage Construction and Sanitary Sewer Replacement
 CLIENT: Whampagoostui First Nation
 PROJECT: Storm Drainage Construction and Sanitary Sewer Replacement
 DISCIPLINE: Infrastructure
 SHEET: C11 DE C13



TYPICAL ROAD CROSS-SECTION WITH CURBS
SCALE = NONE



TYPICAL ROAD CROSS-SECTION WITH SIDEWALKS
SCALE = NONE

STREET	STREET WIDTH	CURBS	SIDEWALKS
WHAPMAKW STREET (2+000 @ 2+264)	8.0m		X
WHAPMAKW STREET (2+264 @ 2+940)	11.0m		X
NISK STREET (3+000 @ 3+111)	11.0m	X	
NISK STREET (3+111 @ 3+303)	11.0m		X
NISK STREET (3+303 @ 3+403)	8.0m	X	
BEEYOU STREET	10.0m	X	
WHAPSTAN STREET	10.0m	X	
ETLUKW STREET (SOUTH)	10.0m	X	
GAKW STREET	10.0m	X	
EYOU STREET	8.0m	X	
WHICKSU STREET	8.0m	X	
CHISAYAKU STREET	8.0m	X	
ETLUKW STREET (NORTH)	8.0m	X	
STREET "1"	8.0m	X	
BIPICHOW STREET	8.0m	X	
MEEHEEN STREET	8.0m	X	
ENCHUKW STREET	11.0m	X	
AMSK STREET	11.0m	X	

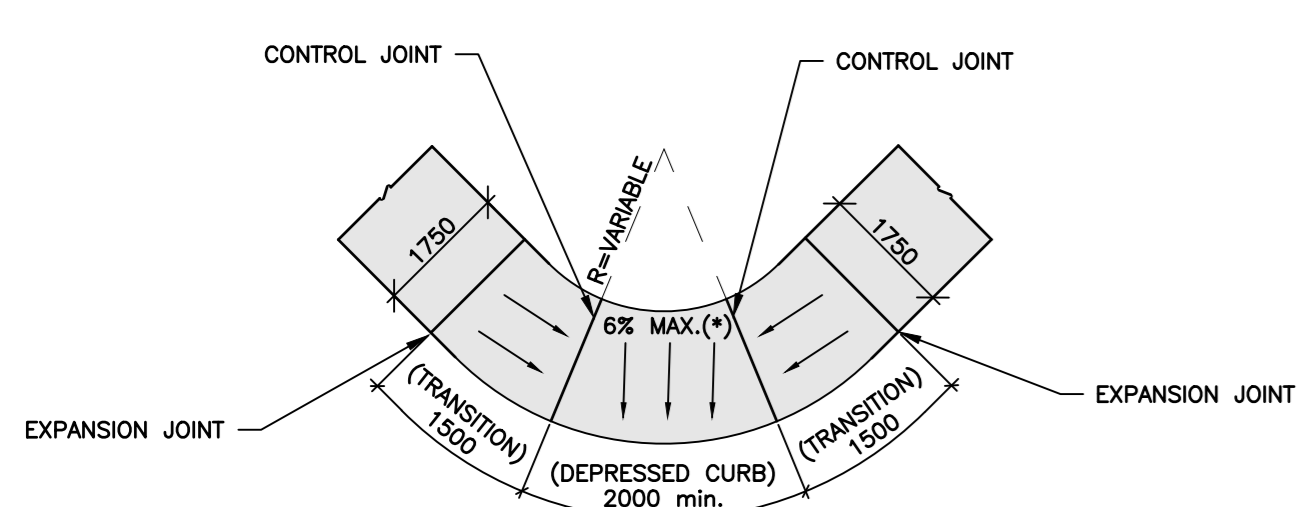
ROADS SPECIFICATIONS TABLE

NOTE OF CAUTION
A 2000 PVC DR35 PIPE WILL BE USED TO CONNECT EACH CATCH BASIN TO THE STORM SEWER SYSTEM

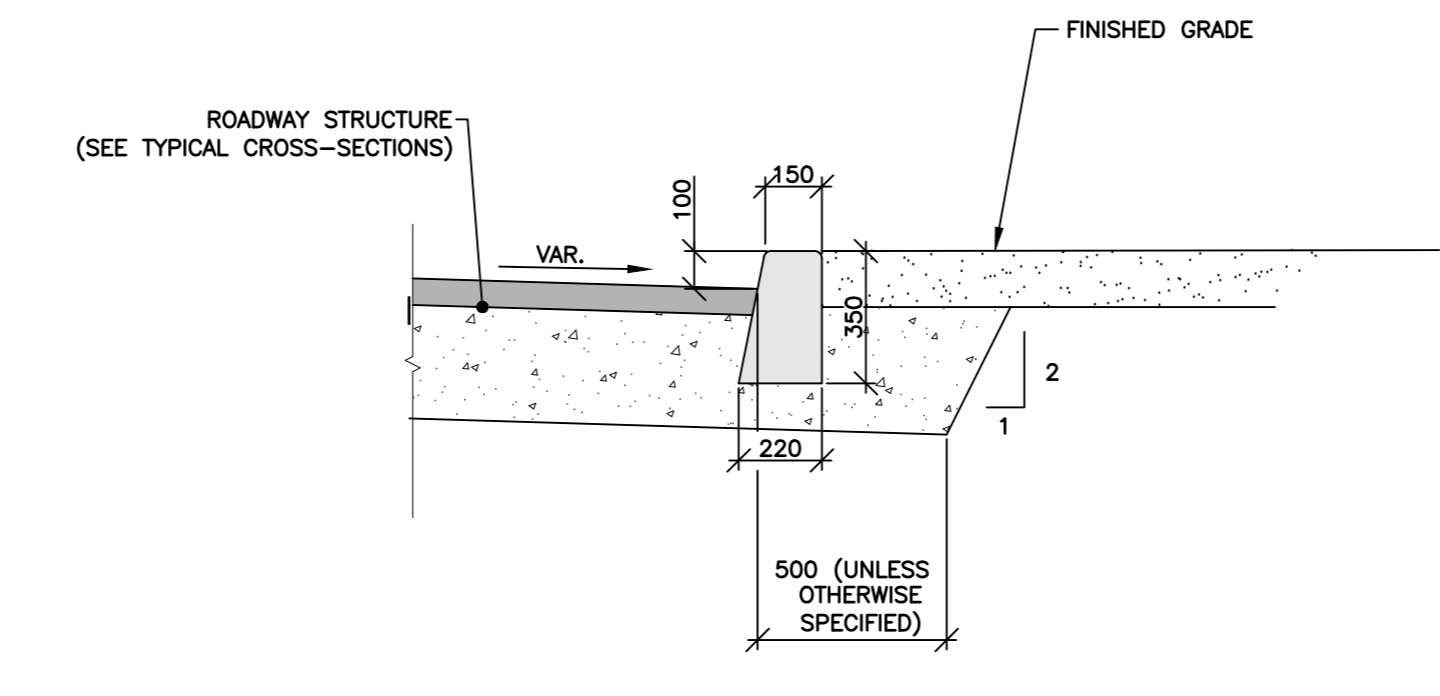
LEGEND

EXISTING	PROPOSED	DESCRIPTION
(Symbol)	(Symbol)	SURVEY MARK
(Symbol)	(Symbol)	BENCHMARK
(Symbol)	(Symbol)	LOT LINE
(Symbol)	(Symbol)	BUILDING
(Symbol)	(Symbol)	TOP OF SLOPE
(Symbol)	(Symbol)	BOTTOM OF SLOPE
(Symbol)	(Symbol)	WOODED BOUNDARY
(Symbol)	(Symbol)	FENCE
(Symbol)	(Symbol)	HEDGE
(Symbol)	(Symbol)	COUNTOUR LINE
(Symbol)	(Symbol)	WATER LINE (plan)
(Symbol)	(Symbol)	WATER LINE (profile)
(Symbol)	(Symbol)	FIRE HYDRANT
(Symbol)	(Symbol)	VALVE
(Symbol)	(Symbol)	SERVICE CONNECTION
(Symbol)	(Symbol)	DITCH (plan)
(Symbol)	(Symbol)	STORM SEWER LINE (plan)
(Symbol)	(Symbol)	DOMESTIC SEWER LINE (plan)
(Symbol)	(Symbol)	STORM SEWER LINE (profile)
(Symbol)	(Symbol)	DOMESTIC SEWER LINE (profile)
(Symbol)	(Symbol)	STORM MANHOLE
(Symbol)	(Symbol)	CATCHBASIN
(Symbol)	(Symbol)	LEFT SIDE (profile)
(Symbol)	(Symbol)	CENTER LINE
(Symbol)	(Symbol)	RIGHT SIDE (profile)
(Symbol)	(Symbol)	GRAVEL SHOULDER
(Symbol)	(Symbol)	CURB
(Symbol)	(Symbol)	SIDEWALK
(Symbol)	(Symbol)	PAVING
(Symbol)	(Symbol)	SAFETY BARRIER
(Symbol)	(Symbol)	RETAINING WALL
(Symbol)	(Symbol)	RAILROAD
(Symbol)	(Symbol)	LAMP POST
(Symbol)	(Symbol)	UNDERGROUND TELEPHONE NETWORK
(Symbol)	(Symbol)	OVERHEAD TELEPHONE NETWORK
(Symbol)	(Symbol)	UNDERGROUND CABLE NETWORK
(Symbol)	(Symbol)	OVERHEAD CABLE NETWORK
(Symbol)	(Symbol)	TELEPHONE POST
(Symbol)	(Symbol)	ELECTRIC POST
(Symbol)	(Symbol)	COMMUNICATION MANHOLE
(Symbol)	(Symbol)	UNDERGROUND ELECTRIC NETWORK
(Symbol)	(Symbol)	OVERHEAD ELECTRIC NETWORK
(Symbol)	(Symbol)	ELECTRIC MANHOLE
(Symbol)	(Symbol)	GAS LINE
(Symbol)	(Symbol)	UNDERGROUND LIGHTING NETWORK
(Symbol)	(Symbol)	OVERHEAD LIGHTING NETWORK

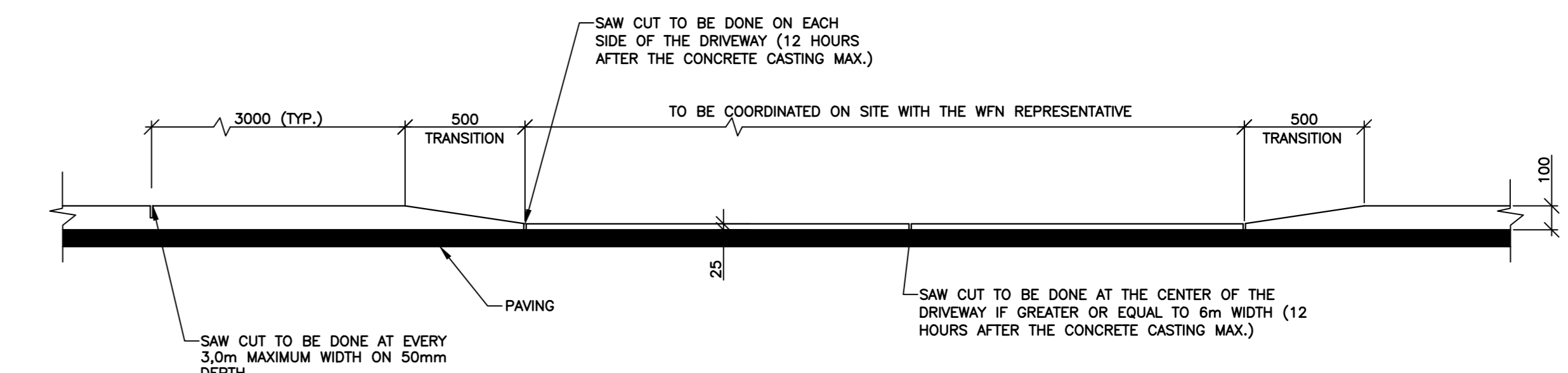
NOTES (*):
IN THE DEPRESSED CURB, THE BACKSIDE OF THE SIDEWALK MUST BE LOWERED SO THAT THE TRANSVERSE SLOPE OF THE SIDEWALK IS SET AT 6% MAXIMUM.



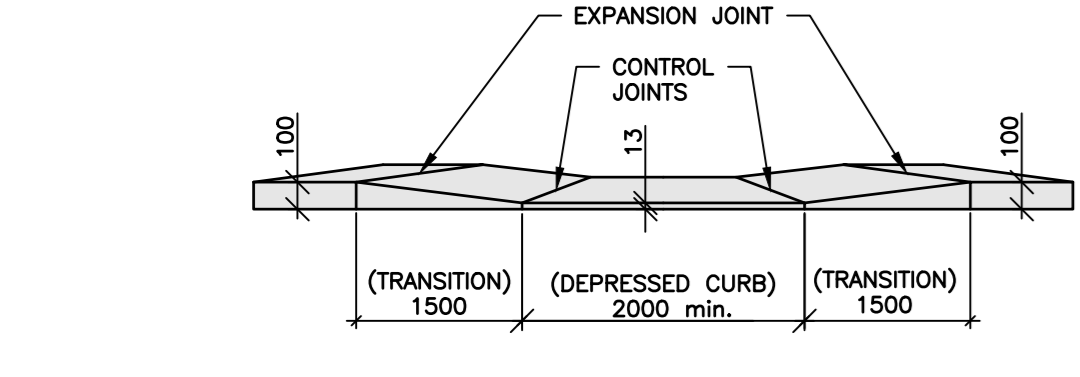
TYPICAL DETAIL - CONCRETE SIDEWALK SECTIONS
SCALE = NONE



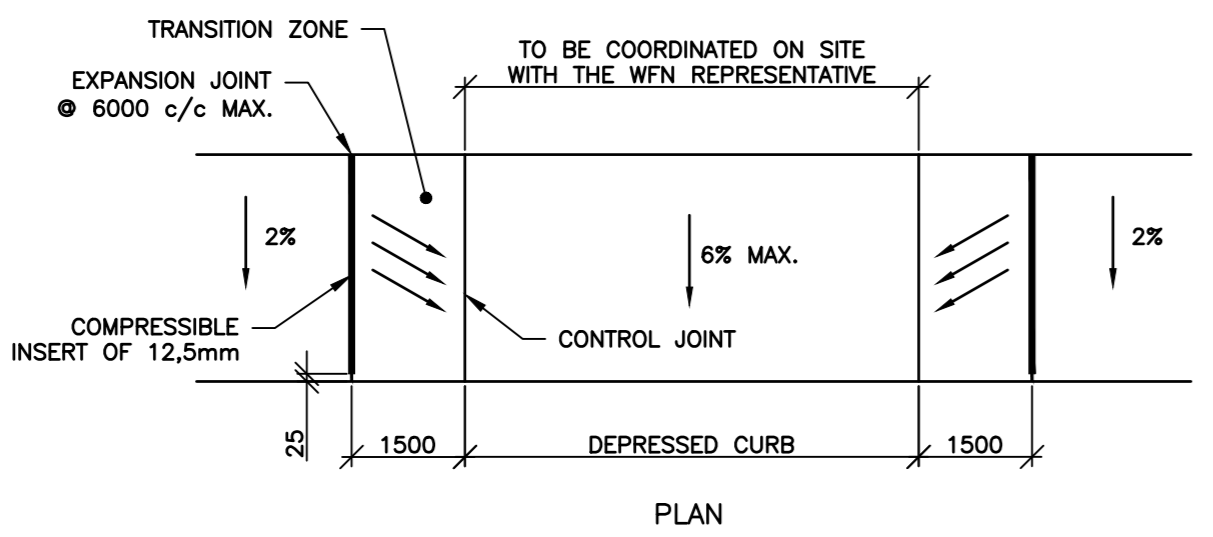
TYPICAL DETAIL - CAST-IN-PLACE CONCRETE ROAD CURB
SCALE = NONE



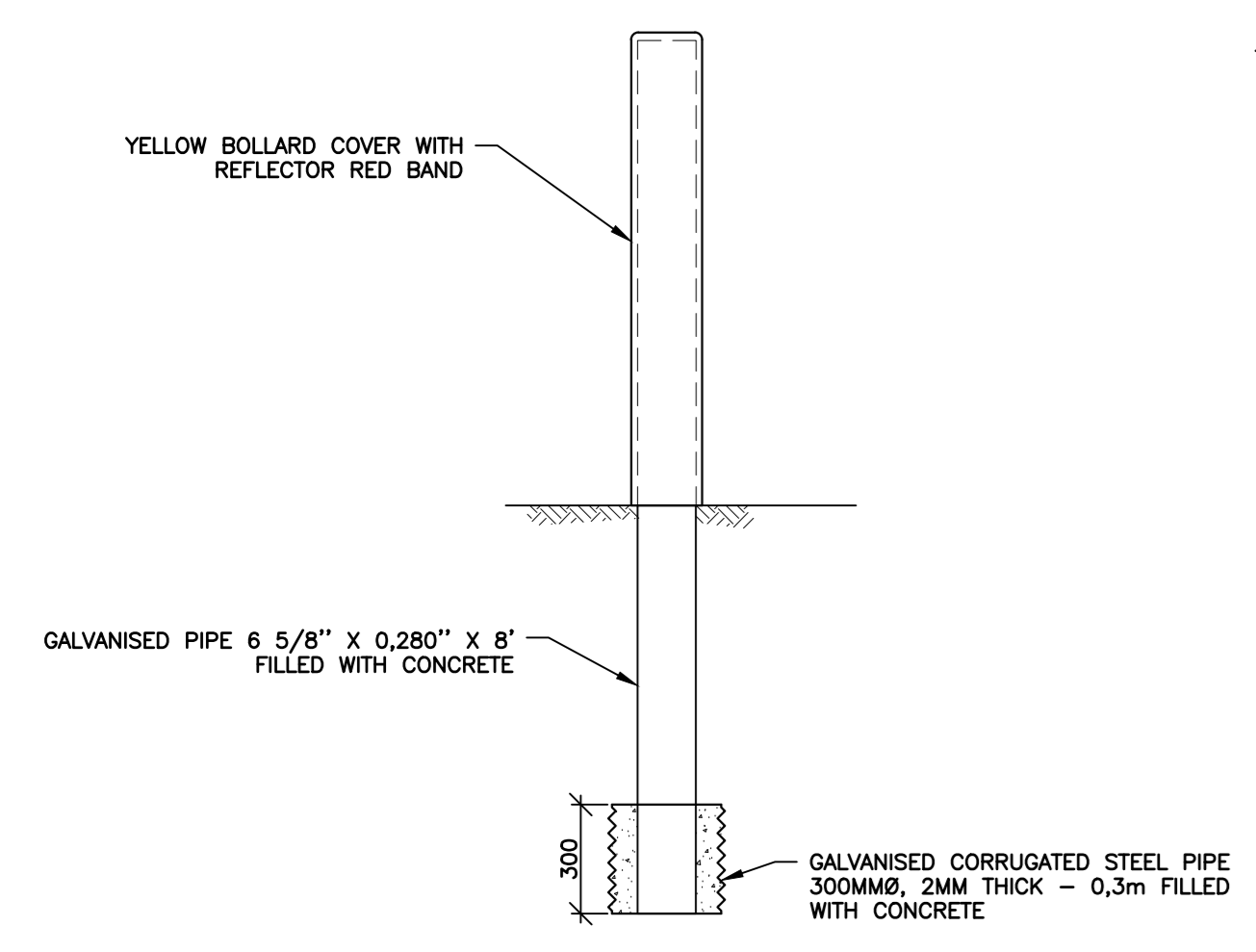
TYPICAL DETAIL - FRONT VIEW CURB FOR DRIVEWAY
SCALE = NONE



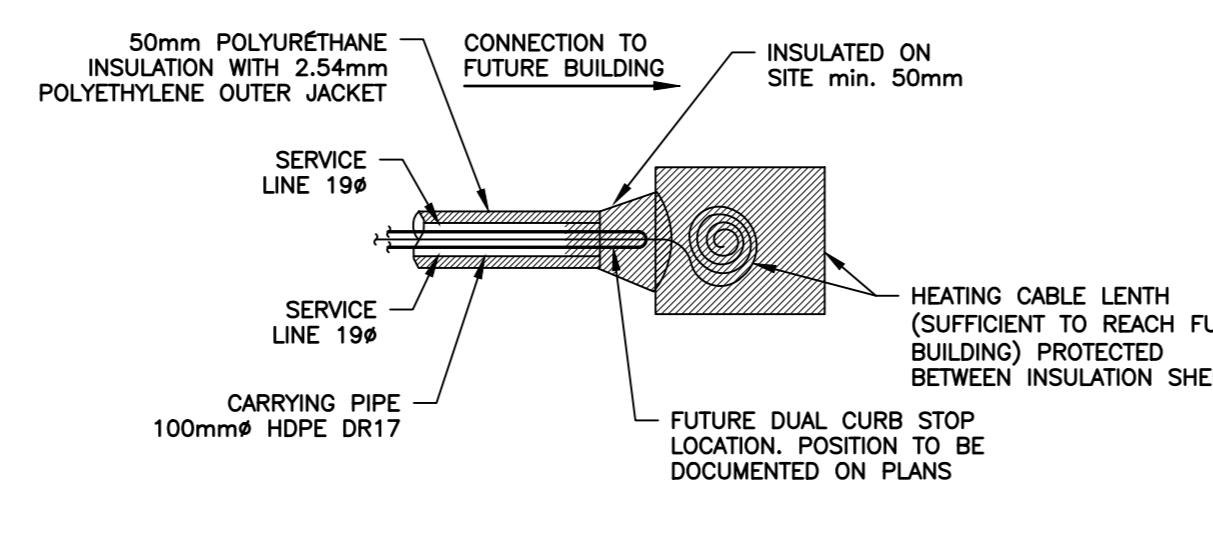
TYPICAL DETAIL - UNIVERSAL ACCESS WITHIN A RADIUS
SCALE = NONE



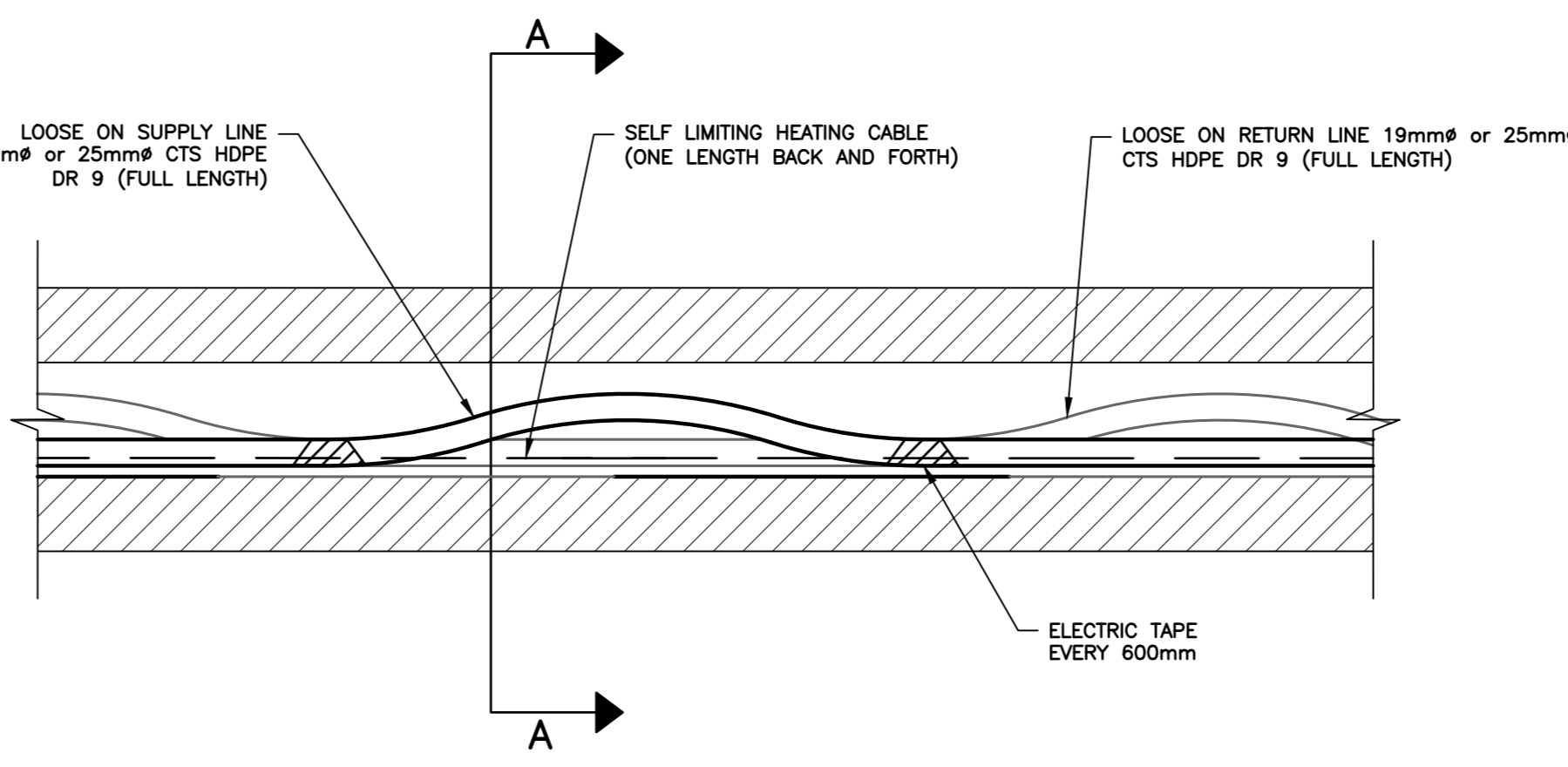
TYPICAL DETAIL - DRIVEWAY AND UNIVERSAL ACCESS
SCALE = NONE



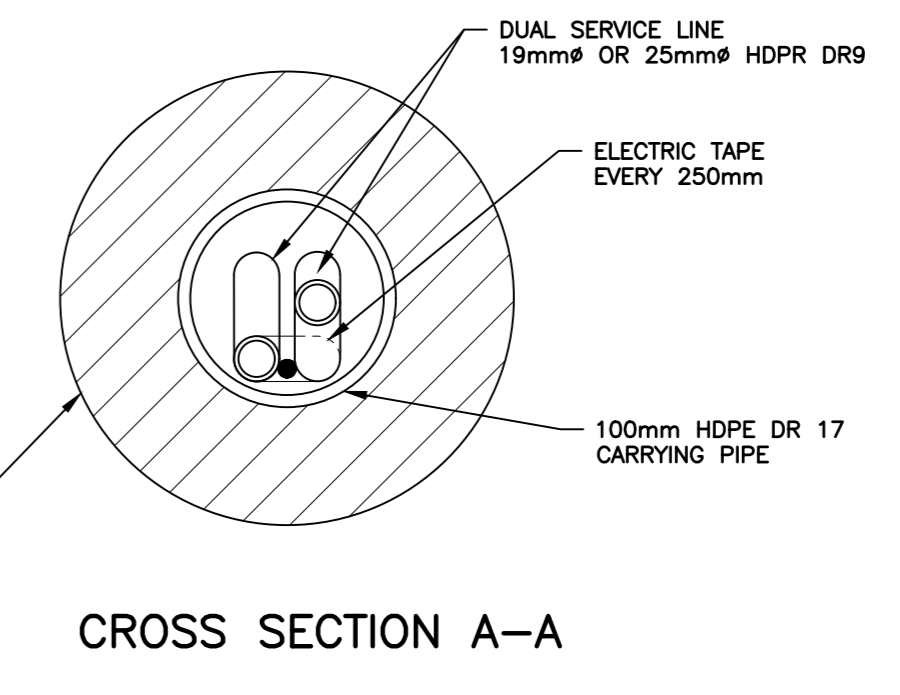
TYPICAL DETAIL - BOLLARD
SCALE = NONE



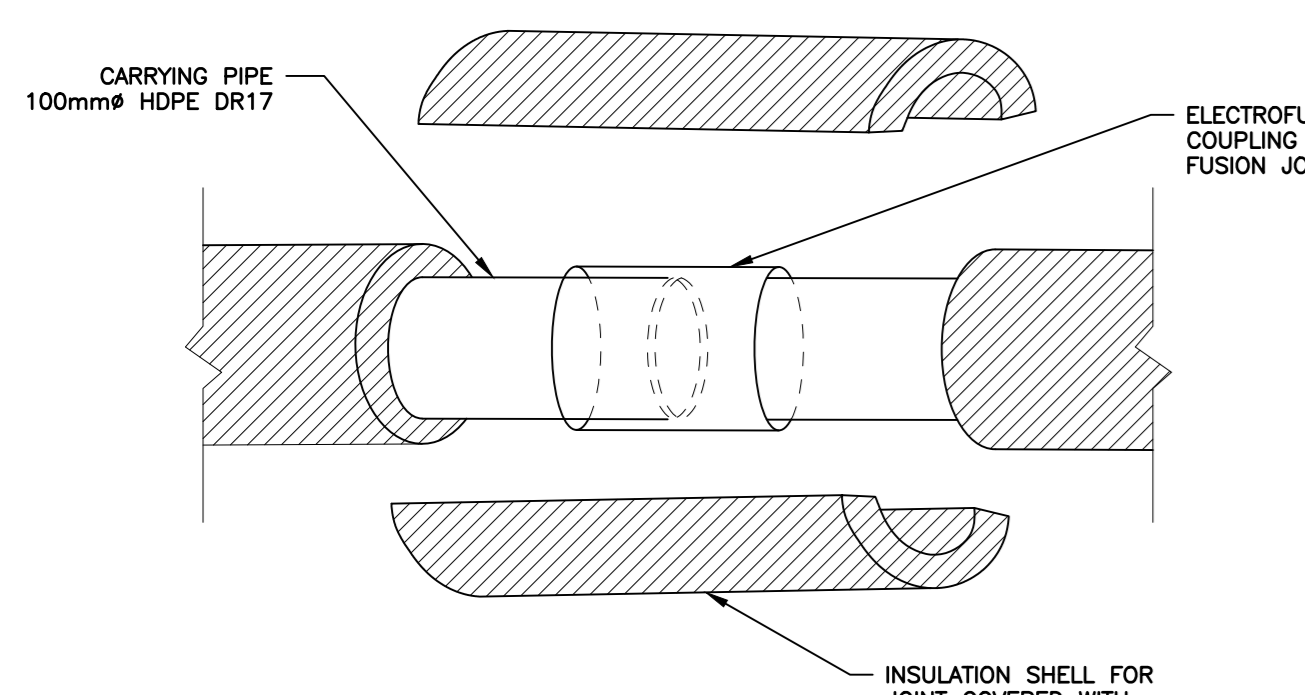
TYPICAL DETAIL - SERVICE CONNECTION VACANT LOT
SCALE = NONE



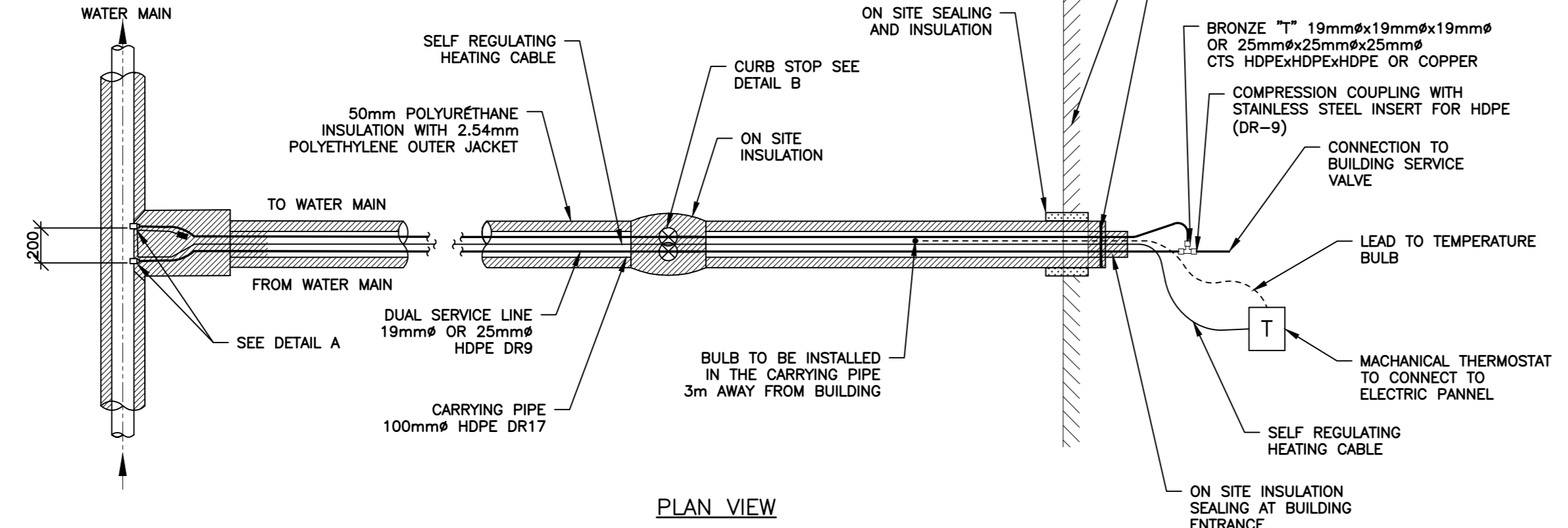
TYPICAL DETAIL - CARRYING PIPE WITH SUPPLY LINES
SCALE = NONE



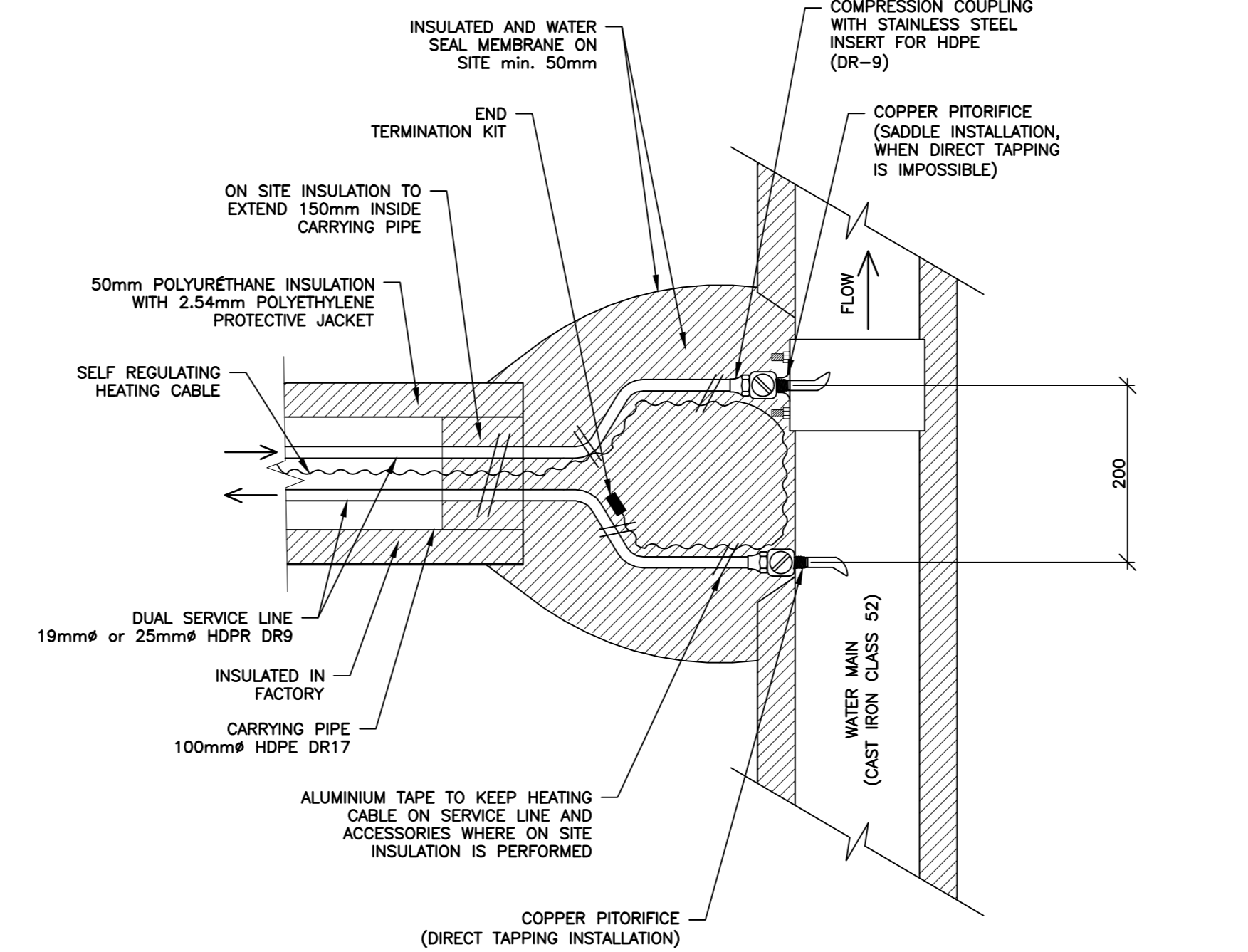
CROSS SECTION A-A



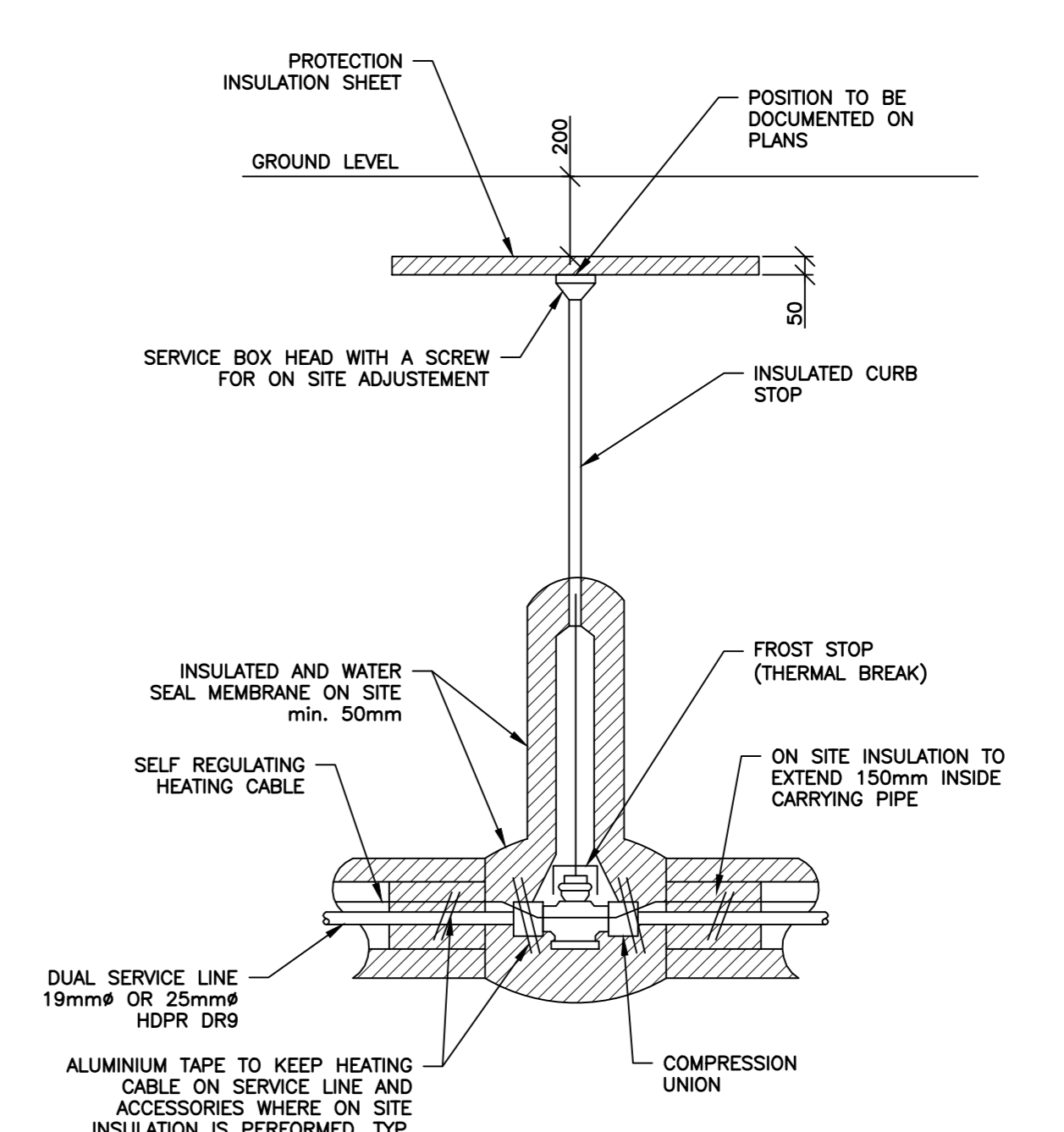
TYPICAL DETAIL - SERVICE LINE CARRYING PIPE JOINT
SCALE = NONE



TYPICAL DETAIL - SERVICE LINE FOR BUILDING
SCALE = NONE



DETAIL A SERVICE LINE CONNECTION
SCALE = NONE



DETAIL B CURB STOP
SCALE = NONE

THIS PLAN SHOULD BE USED FOR CONSTRUCTION ONLY IF IT IS SIGNED AND SEALED BY AN ENGINEER AND THE NOTICE "FOR CONSTRUCTION" APPEAR IN THE REVISION LIST

No.	Date	FOR LIST OF MATERIAL	Y.D.
01	2019-03-31		

CLIENT: WHAPMAGOOSTUI FIRST NATION

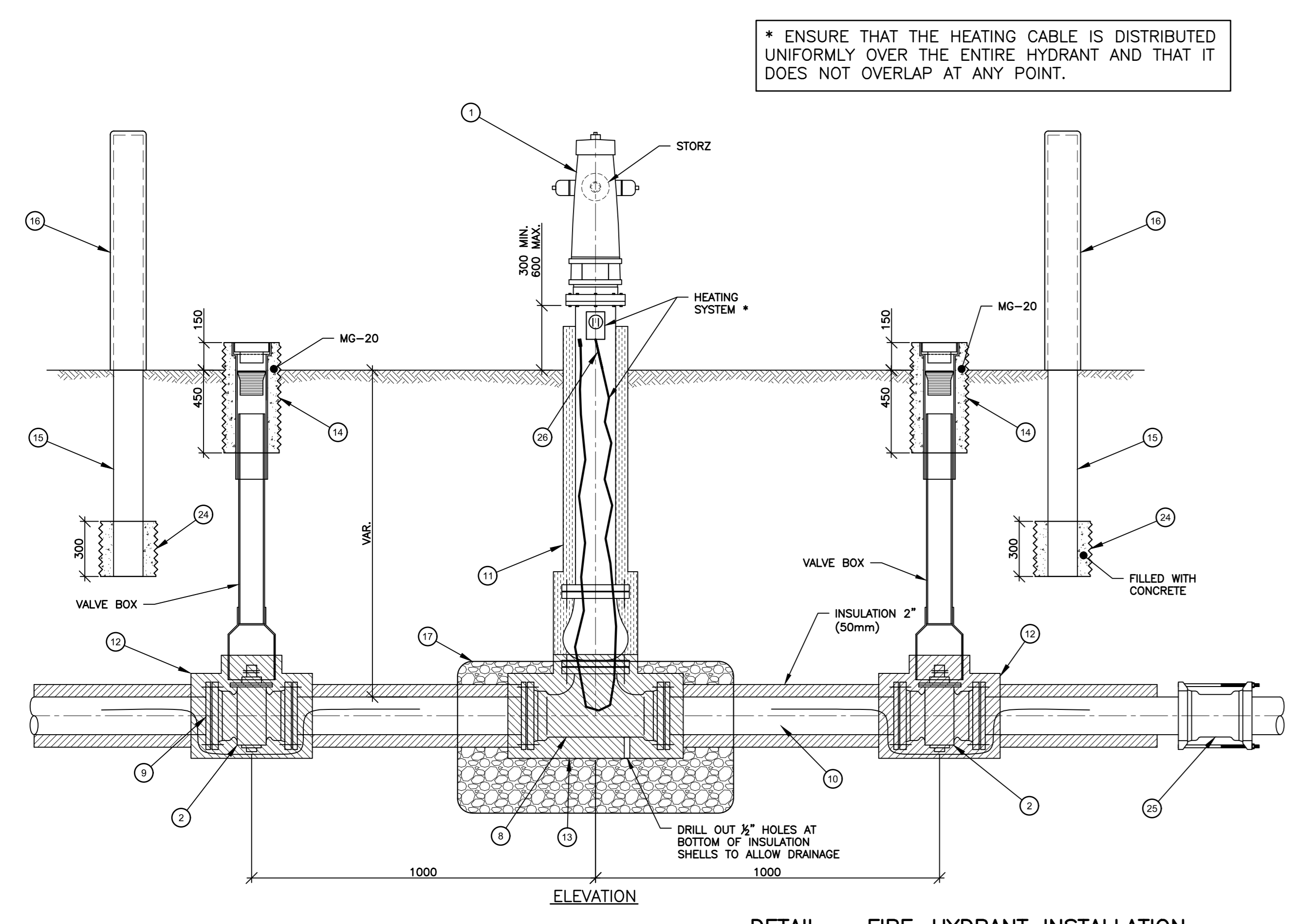
PROJECT: STORM DRAINAGE CONSTRUCTION AND SANITARY SEWER REPLACEMENT

TITRE DU DESSIN: DETAILS (1/2)

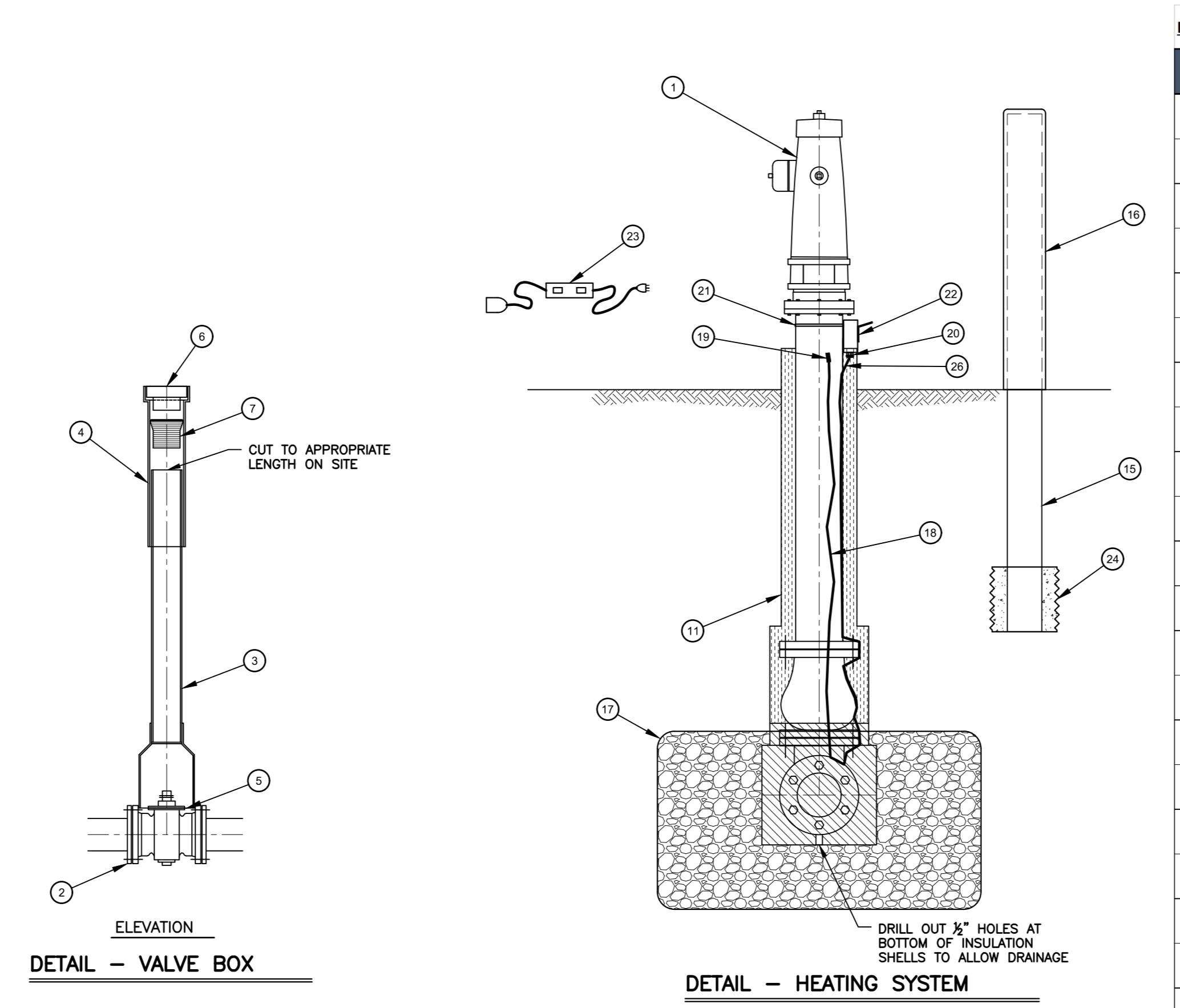
DISCIPLINE: INFRASTRUCTURE

DESIGNER: F. Ampleman	RAPPORT: 1:250
CONCUR PAR: Y. Durand eng	DATE: 20190301
VERIFIE PAR: Y. Durand eng	VERIFIE PAR: Y. Durand eng
PROJET No: Q182489A	DESSIN No: C11
FEUILLE No: C11 DE C13	

CARTOUCHE ET MODÈLE N° ET F13.0
DATE D'IMPRESSION : 2019-03-31, 17:45:00, FICHE DU PROJET : C12 - DÉTAILS DES MANÈGES
CLIENT : WHAPMAGOOSTUI FIRST NATION
PROJET : STORM DRAINAGE CONSTRUCTION AND SANITARY SEWER REPLACEMENT
DISCIPLINE : INFRASTRUCTURE
TITRE DU DESSIN : DETAILS (2/2)
INGÉNIEUR : Y. Durand eng
CONCÉPTEUR : Y. Durand eng
DÉSIGNATEUR : Y. Durand eng
DATE DE RÉVISION : 2019-03-31, 17:45:00, FICHE DU PROJET : C12 - DÉTAILS DES MANÈGES
CLIENT : WHAPMAGOOSTUI FIRST NATION
PROJET : STORM DRAINAGE CONSTRUCTION AND SANITARY SEWER REPLACEMENT
DISCIPLINE : INFRASTRUCTURE
TITRE DU DESSIN : DETAILS (2/2)
INGÉNIEUR : Y. Durand eng
CONCÉPTEUR : Y. Durand eng
DÉSIGNATEUR : Y. Durand eng



DETAIL - FIRE-HYDRANT INSTALLATION

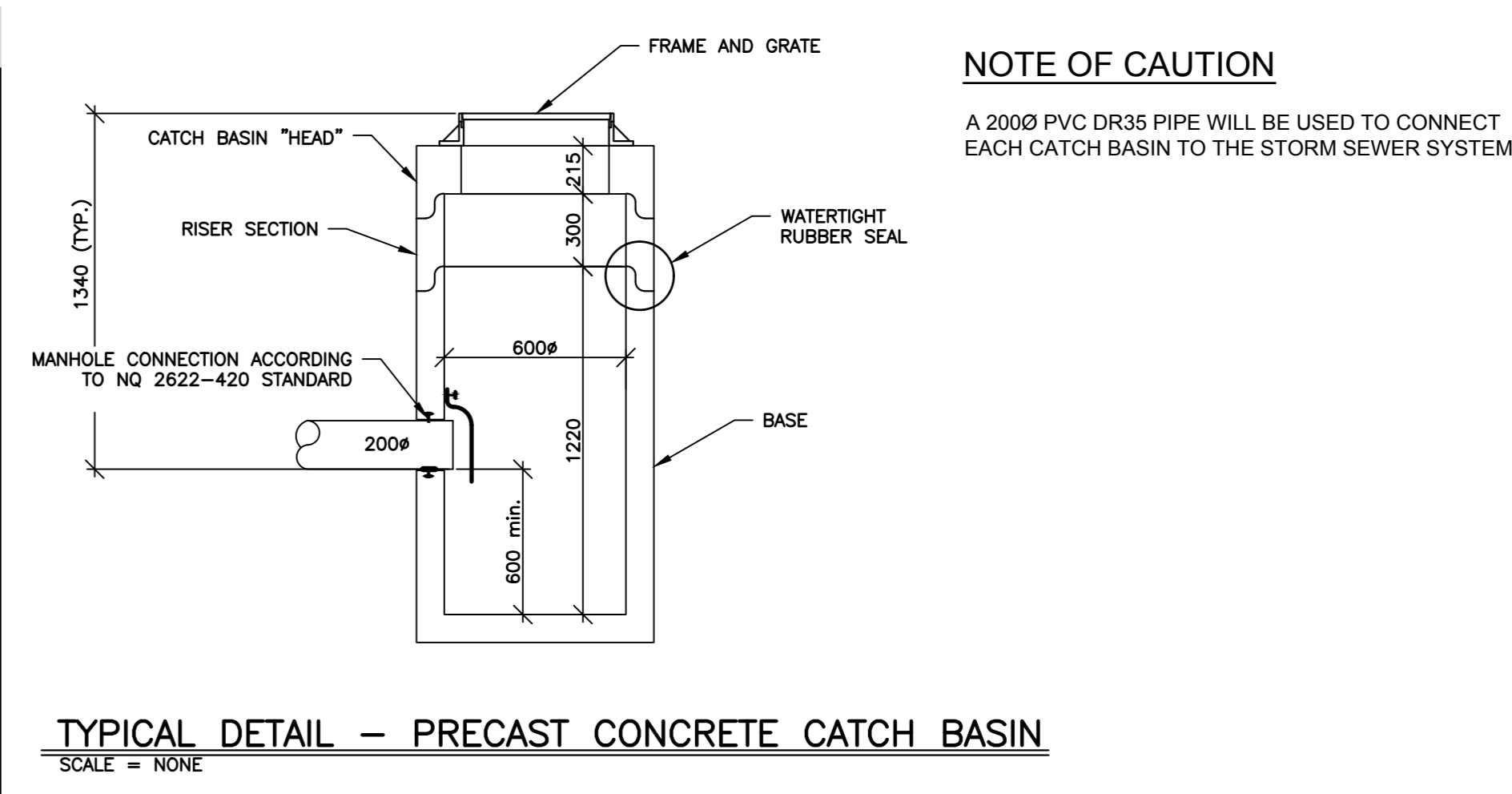


DETAIL - VALVE BOX

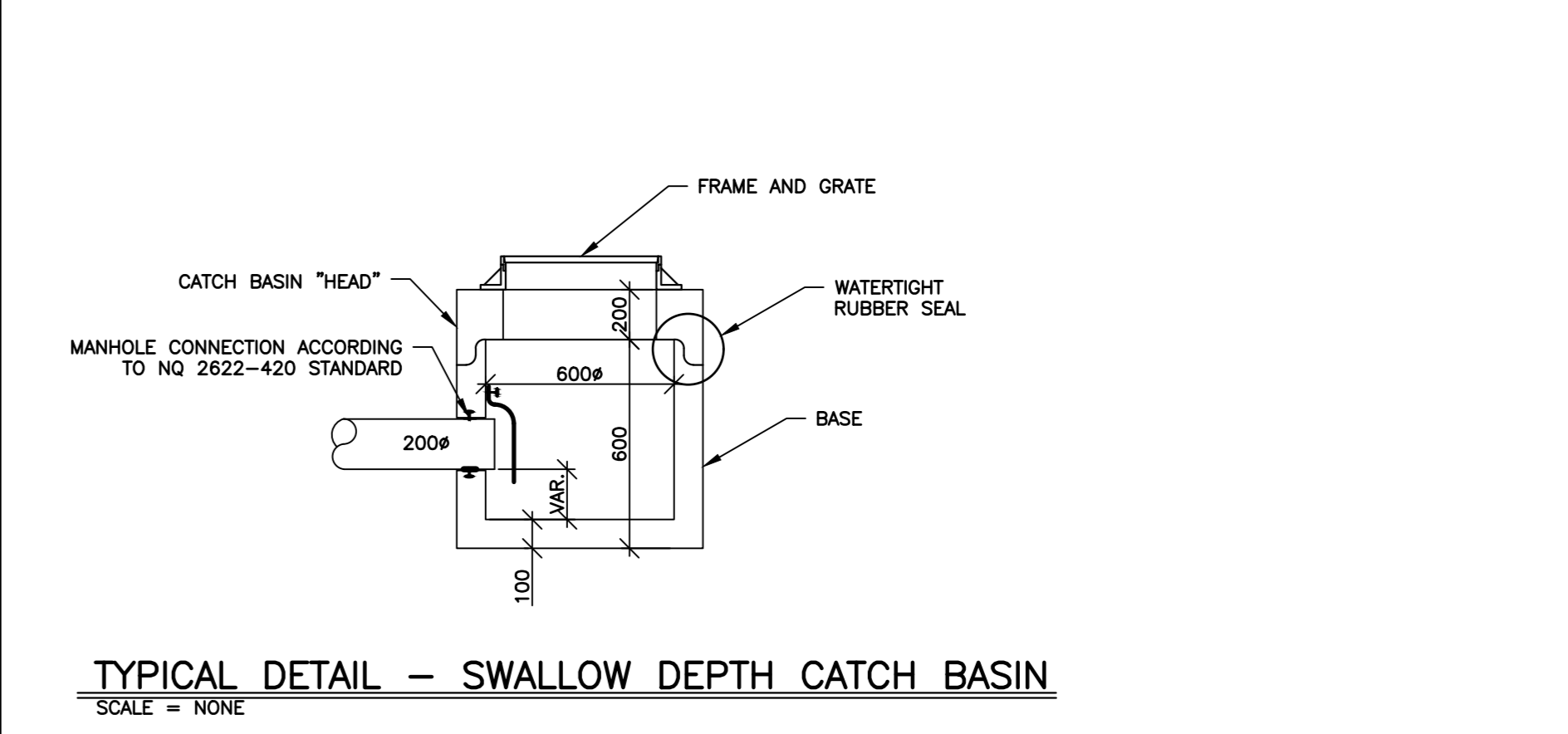
DETAIL - HEATING SYSTEM

#	Item	Unit	Qty
1	Mueller Modern Centurion Hydrant A-48 (on line with vertical slope)	unit	1
2	Gate Valve 150mm (Clow FG30, Mueller A2360, or equiv)	unit	2
3	Composite valve box bottom part 7" (Mueller MV8070 or Bibby VB-5337L)	unit	2
4	Valve box upper part (Bibby VB-655MA or equivalent)	unit	2
5	Valve box guide plate (Mueller MV8075 or Bibby VB-875)	unit	2
6	Locking Cover (Bibby S-881 or equivalent)	unit	2
7	Debris Cap with locking device (Debriscap DC-457 with LD-4 or equiv)	unit	2
8	"T" ductile iron 150mm (M) x (M) x (F) including 3 FF gasket + bolts	unit	1
9	Mechanical joint 150mm including gasket and bolt (Star Pipe 3000 series)	unit	6
10	Insulated ductile iron pipe 150mm class 52	m	3
11	Insulation shells for Mueller centurion hydrant On-line, 8' (Urecon, or equiv)	Kit	1
12	Insulation shells for gate valve 150mm with M1 (Urecon, or equiv)	kit	2
13	Insulation shell for "T" 150mm (Urecon, or equiv)	kit	1
14	Galvanized corrugated steel pipe 400mmØ, 2mm thick - 600mm long	unit	2
15	Galvanized pipe 6.5" x .287" x 8' filled with concrete	unit	3
16	Yellow bollard cover with reflector red band	unit	3
17	Clean stone coated with geotextile - 1m²	unit	1
18	Artic trace submersible heat trace - 5 w/ft or equivalent	ft	18' min
19	Water proof end seal	unit	1
20	1/2" MNPT water proof strain relief	unit	1
21	Stainless steel pipe clamp kit for mounting power inlet box on hydrant	unit	1
22	20 Amp 120/240 vac power inlet box NEMA 3R rain tight	unit	1
23	20 Amp GFI generator extension cord with NEMA L14-20 locking connector	unit*	2*
24	Galvanized corrugated steel pipe 400mmØ, 2mm thick - 300mm long	unit	3
25	Restrained coupling, ductile iron, 150mm 12 long, 350psi	unit	1
26	"Liquid tight" H-Flex HTX 20mm 6", from Thomas and Betts	unit	1

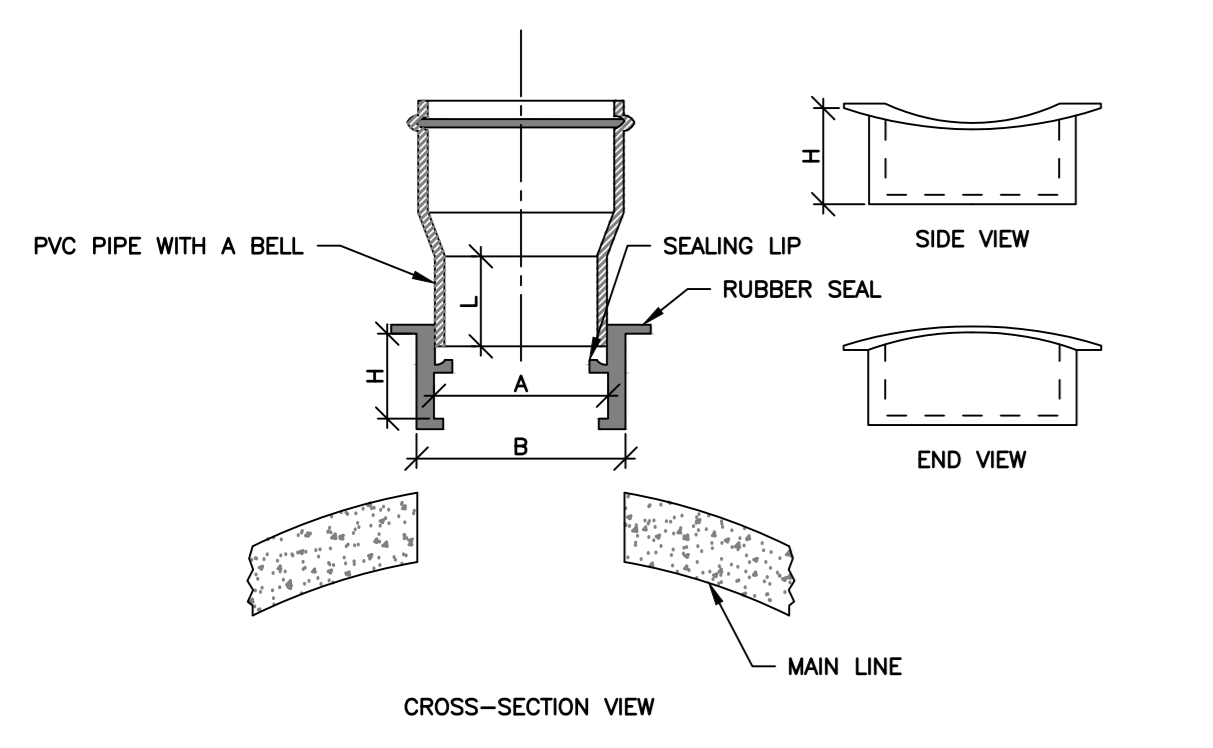
* Total quantity (not for each hydrant)



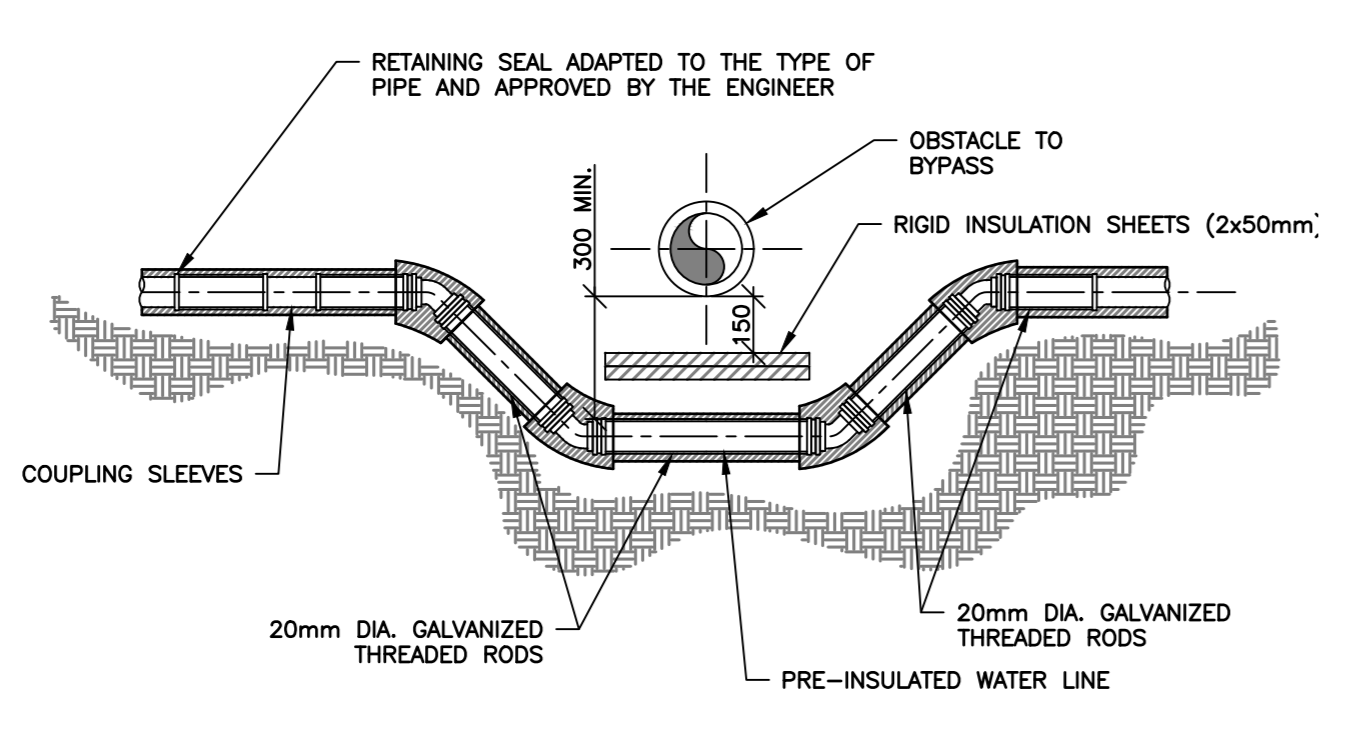
TYPICAL DETAIL - PRECAST CONCRETE CATCH BASIN



TYPICAL DETAIL - SWALLOW DEPTH CATCH BASIN



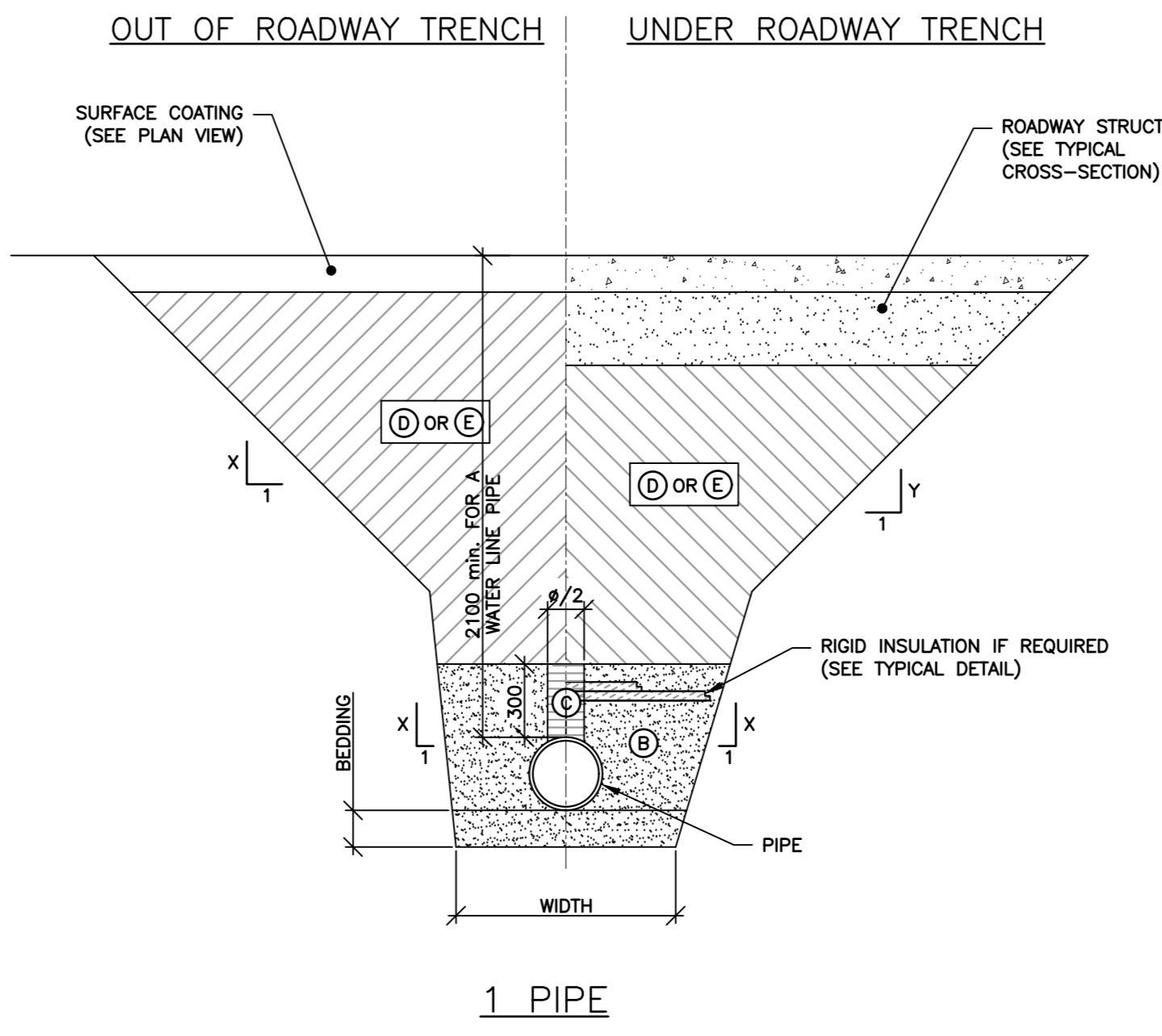
TYPICAL DETAIL - CONNECTION TO AN EXISTING STORM OR SANITARY SEWER



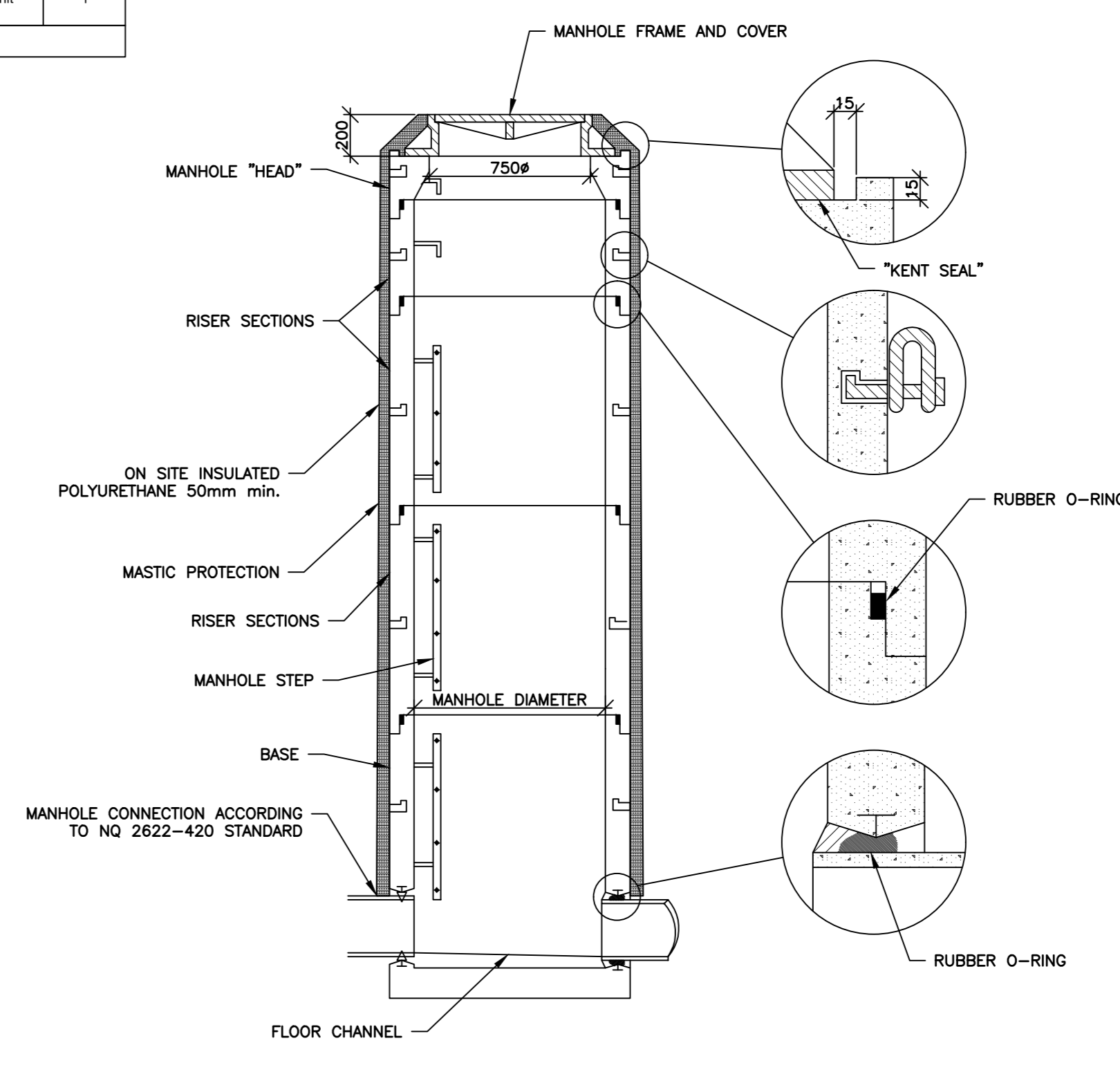
TYPICAL DETAIL - BYPASS OF A PRE-INSULATED WATER LINE

PIPE NOMINAL DIAMETER (mm)	MINIMAL BEDDING THICKNESS IN SOIL OR ROCK	TRENCH BOTTOM WIDTH (mm)
300 AND LESS	150	OUTSIDE Ø + 600
350 TO 600	150	OUTSIDE Ø + 900
750 TO 1200	200	OUTSIDE Ø + 1200

- A SEWER OR WATER LINE
 - B GC-14 GRANULAR MATERIAL COMPACTED @ 90% OF M.P. TEST IN MAXIMUM LAYERS OF 200mm THICK
 - C UNCOMPACTED CG-14 GRANULAR MATERIAL
 - D PRIORLY APPROVED CLASS A BORROW MATERIAL COMPACTED @ 90% OF M.P. TEST IN MAXIMUM LAYERS OF 300mm THICK
 - E PRIORLY APPROVED EXCAVATION MATERIAL COMPACTED @ 90% OF M.P. TEST IN MAXIMUM LAYERS OF 300mm THICK
- * A 3 METER HORIZONTAL DISTANCE MUST BE APPLIED WHEN THE VERTICAL DISTANCE OF 300mm BETWEEN THE WATER LINE AND THE SEWER CAN NOT BE MET
- X = SLOPE COMPLIANT WITH CHESST REQUIREMENTS
Y = SLOPE COMPLIANT WITH CHESST REQUIREMENTS WHEN BACKFILLING USING AN EXCAVATION MATERIAL OR A 2H:1V TRANSITION (DOWN TO 2.1m DEPTH) WHEN BACKFILLING USING A BORROW MATERIAL



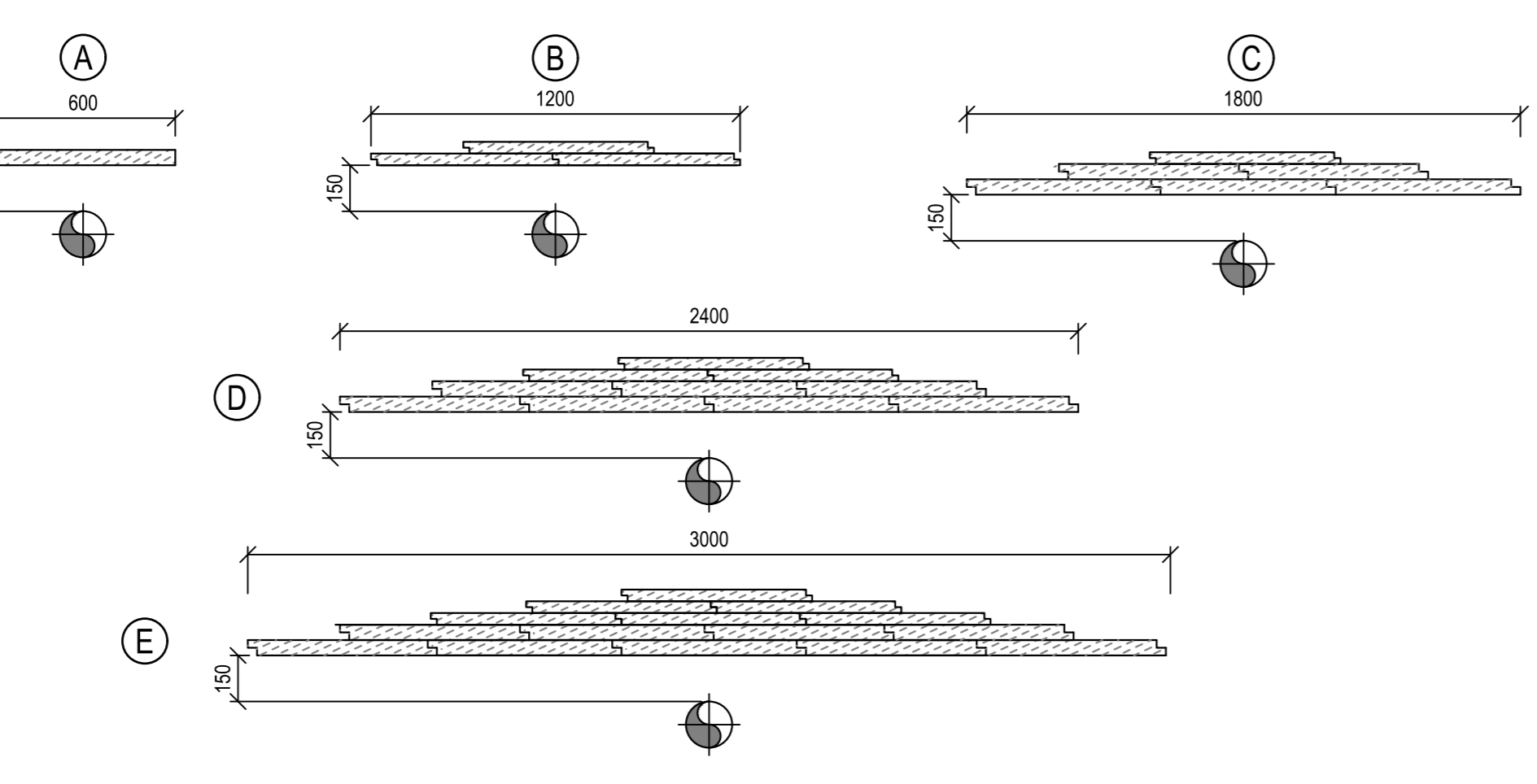
TYPICAL DETAIL - WATER LINE AND SEWER TRENCH



TYPICAL DETAIL - PRECAST CONCRETE MANHOLE

DISPOSITION OF INSULATION SHEETS	PIPE DEPTH (mm)	INSULATION WIDTH (mm)	INSULATION SHEET THICKNESS (mm)
A	2150-1900	600	25
B	1900-1700	1200	50
C	1600-1300	1800	75
D	1300-900	2400	100
E	900-700	3000	125

TYPICAL DETAIL - WIDTH AND THICKNESS OF INSULATION TO INSTALL ON TOP OF THE PIPES



SCALE : NOT TO SCALE

EXISTING	PROPOSED	
▲	▲	SURVEY MARK
○	○	BENCHMARK
—	—	LOT LINE
—	—	BUILDING
—	—	TOP OF SLOPE
—	—	BOTTOM OF SLOPE
—	—	WOODED BOUNDARY
—	—	FENCE
—	—	HEDGE
—	—	COUNTOUR LINE
—	—	WATER LINE (plan)
—	—	WATER LINE (profile)
—	—	FIRE HYDRANT
—	—	VALVE
—	—	SERVICE CONNECTION
—	—	DITCH (plan)
—	—	STORM SEWER LINE (plan)
—	—	DOMESTIC SEWER LINE (plan)
—	—	STORM SEWER LINE (profile)
—	—	DOMESTIC SEWER LINE (profile)
—	—	STORM MANHOLE
—	—	CATCHBASIN
—	—	LEFT SIDE (profile)
—	—	CENTER LINE
—	—	RIGHT SIDE (profile)
—	—	GRAVEL SHOULDER
—	—	CURB
—	—	SIDEWALK
—	—	PAVING
—	—	SAFETY BARRIER
—	—	RETAINING WALL
—	—	RAILROAD
—	—	LAMP POST
—	—	UNDERGROUND TELEPHONE NETWORK
—	—	OVERHEAD TELEPHONE NETWORK
—	—	UNDERGROUND CABLE NETWORK
—	—	OVERHEAD TELEPHONE NETWORK
—	—	TELEPHONE POST
—	—	ELECTRIC POST
—	—	COMMUNICATION MANHOLE
—	—	UNDERGROUND ELECTRIC NETWORK
—	—	OVERHEAD ELECTRIC NETWORK
—	—	ELECTRIC MANHOLE
—	—	GAS LINE
—	—	ES
—	—	UNDERGROUND LIGHTING NETWORK
—	—	EA

NOTE OF CAUTION
A 2000 PVC DR35 PIPE WILL BE USED TO CONNECT EACH CATCH BASIN TO THE STORM SEWER SYSTEM

THIS PLAN SHOULD BE USE FOR CONSTRUCTION ONLY IF IS SIGNED AND SEALED BY AN ENGINEER AND THE NOTICE "FOR CONSTRUCTION" APPEAR IN THE REVISION LIST

SI	2019-03-31	FOR LIST OF MATERIAL	Y.D.
No.	Date	Description	Par

CONCÉPTEUR PAR : Y. DURAND
VÉRIFIÉ PAR : Y. DURAND

CIMA+ CHEMAMA
1 416 623 2373, F 416 623 2321
300-1143, rue Lacombe, Québec, QC G2K 2N9 CANADA

CLIENT : WHAPMAGOOSTUI FIRST NATION

PROJET : STORM DRAINAGE CONSTRUCTION AND SANITARY SEWER REPLACEMENT

TITRE DU DESSIN : DETAILS (2/2)

DISCIPLINE : INFRASTRUCTURE

DESSINÉ PAR : F. Ampleman	RAPPORT : 1:250
CONCÉPTEUR PAR : Y. Durand eng	DATE : 20190301
INGÉNIEUR : Y. Durand eng	APPRUVÉ PAR : Y. Durand eng
PROJET No : Q182489A	DESSIN No : C12
FEUILLE No : C12 DE C13	

2020 INFRASTRUCTURE WORKS

NOTE OF CAUTION
A 2000 PVC DR35 PIPE WILL BE USED TO CONNECT EACH CATCH BASIN TO THE STORM SEWER SYSTEM

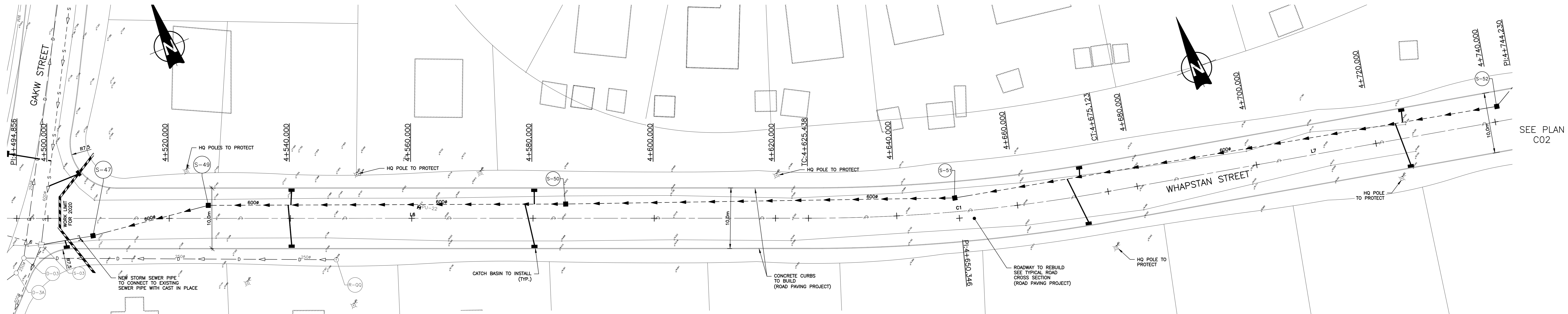


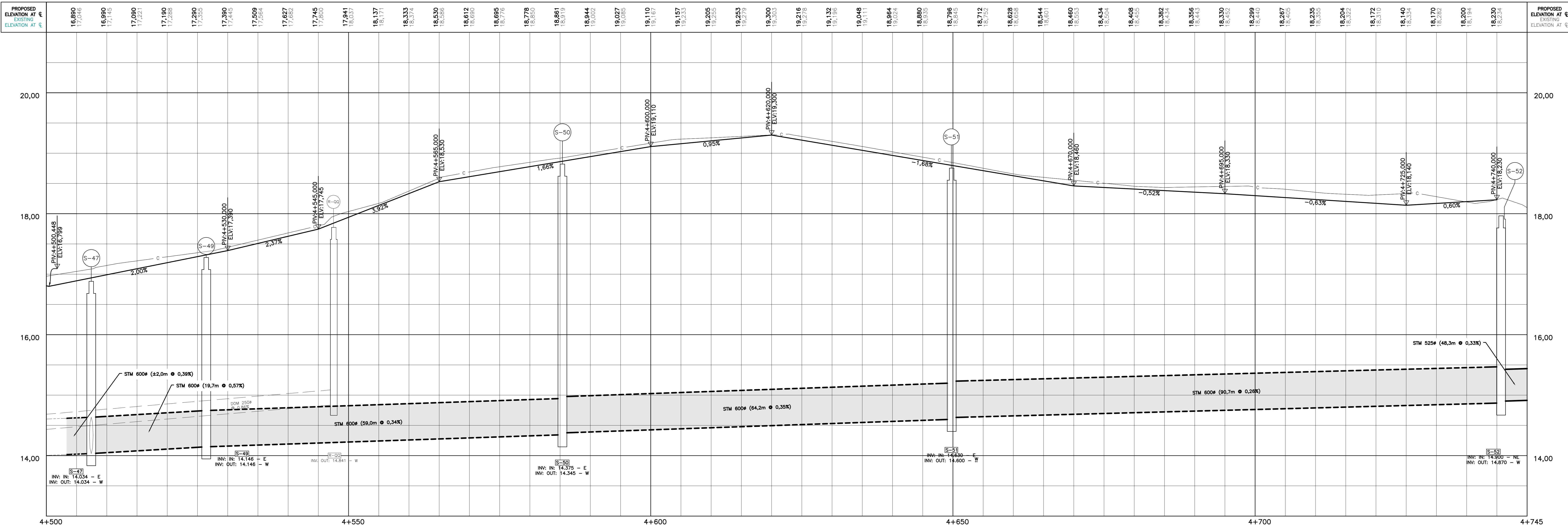
TABLEAU DE L'AXE = WHAPSTAN STREET

No.	LONGUEUR	RAYON	DIRECTION LIGNE/CORDE	CORDE	Δ	PI/TANGENTE	COORDONNÉE DEPART X	COORDONNÉE DEPART Y	CHAINAGE DEPART	COORDONNÉE FIN X	COORDONNÉE FIN Y	CHAINAGE FIN
L6	130,581		S67° 57' 20.82"E			L	324960,333	6128843,364	4+494,856	325081,368	6128794,354	4+625,438
C1	49,686	280,000	S73° 02' 21.51"E	49,620	10°10'01"	PI	325104,455	6128785,006	4+650,346			4+650,346
L7	69,106		S78° 07' 22.19"E			L	325128,830	6128779,879	4+675,123	325196,457	6128765,656	4+744,230

LEGEND

EXISTING	PROPOSED	DESCRIPTION
(Symbol)	(Symbol)	SURVEY MARK
(Symbol)	(Symbol)	BENCHMARK
(Symbol)	(Symbol)	LOT LINE
(Symbol)	(Symbol)	BUILDING
(Symbol)	(Symbol)	TOP OF SLOPE
(Symbol)	(Symbol)	BOTTOM OF SLOPE
(Symbol)	(Symbol)	WOODED BOUNDARY
(Symbol)	(Symbol)	FENCE
(Symbol)	(Symbol)	HEGGE
(Symbol)	(Symbol)	COUNTOUR LINE
(Symbol)	(Symbol)	WATER LINE (plan)
(Symbol)	(Symbol)	WATER LINE (profile)
(Symbol)	(Symbol)	FIRE HYDRANT VALVE
(Symbol)	(Symbol)	SERVICE CONNECTION
(Symbol)	(Symbol)	DITCH (plan)
(Symbol)	(Symbol)	STORM SEWER LINE (plan)
(Symbol)	(Symbol)	DOMESTIC SEWER LINE (plan)
(Symbol)	(Symbol)	STORM SEWER LINE (profile)
(Symbol)	(Symbol)	DOMESTIC SEWER LINE (profile)
(Symbol)	(Symbol)	STORM MANHOLE
(Symbol)	(Symbol)	CATCHBASIN
(Symbol)	(Symbol)	LEFT SIDE (profile)
(Symbol)	(Symbol)	CENTER LINE
(Symbol)	(Symbol)	RIGHT SIDE (profile)
(Symbol)	(Symbol)	GRAVEL SHOULDER
(Symbol)	(Symbol)	CURB
(Symbol)	(Symbol)	SIDEWALK
(Symbol)	(Symbol)	PARKING
(Symbol)	(Symbol)	SAFETY BARRIER
(Symbol)	(Symbol)	RETAINING WALL
(Symbol)	(Symbol)	RAILROAD
(Symbol)	(Symbol)	LAMP POST
(Symbol)	(Symbol)	UNDERGROUND TELEPHONE NETWORK
(Symbol)	(Symbol)	OVERHEAD TELEPHONE NETWORK
(Symbol)	(Symbol)	UNDERGROUND CABLE NETWORK
(Symbol)	(Symbol)	OVERHEAD CABLE NETWORK
(Symbol)	(Symbol)	TELEPHONE POST
(Symbol)	(Symbol)	ELECTRIC POST
(Symbol)	(Symbol)	COMMUNICATION MANHOLE
(Symbol)	(Symbol)	UNDERGROUND ELECTRIC NETWORK
(Symbol)	(Symbol)	OVERHEAD ELECTRIC NETWORK
(Symbol)	(Symbol)	ELECTRIC MANHOLE
(Symbol)	(Symbol)	GAS LINE
(Symbol)	(Symbol)	UNDERGROUND LIGHTING NETWORK
(Symbol)	(Symbol)	OVERHEAD LIGHTING NETWORK

WHAPSTAN STREET



THIS PLAN SHOULD BE USE FOR CONSTRUCTION ONLY IF IS SIGNED AND SEALED BY AN ENGINEER AND THE NOTICE FOR CONSTRUCTION* APPEAR IN THE REVISION LIST

01	20190301	FOR LIST OF MATERIAL	Y.D.
No.	Date	Description	Par
SCAUX :			
CONCU PAR		VERIFÉ PAR	
CLIENT :			
PROJET :			
STORM DRAINAGE CONSTRUCTION AND SANITARY SEWER REPLACEMENT			
TITRE DU DESSIN :			
WHAPSTAN STREET			
4+500 @ 4+745			
DISCIPLINE :			
INFRASTRUCTURE			
DESSINE PAR :		RAPPORT :	
F.Ampleman		1:250	
CONCU PAR :		DATE :	
Y.Durand eng		20190301	
VERIFÉ PAR :		DESSINÉ PAR :	
Y.Durand eng		Y.Durand eng	
PROJET No. :		DESSIN No. :	
Q182489A		C01	
FEUILLE No. :		C01 DE C16	

DATE IMPRESSION : 20190301 14:05:11
 CHEMIN : Z:\Gm-400\Projets\OUT\2019\489A - C01\02 - Whapstan-eng\PRESENTATION - C01

DATE: 2019/03/01 09:58:05 - TABLEAU DE L'AXE - C:\Users\Y.Durand\Documents\Projets\Whapstam\Whapstam\Drawings\DWG\02 - Whapstam.dwg PRESENTATION - C02
 CHÉMIN : Z:\Cimac\406\Projets\OUT\02\2489A - C:\Users\Y.Durand\Documents\Projets\Whapstam\Whapstam\Drawings\DWG\02 - Whapstam.dwg PRESENTATION - C02

NOTE OF CAUTION
 A 2000 PVC DR35 PIPE WILL BE USED TO CONNECT EACH CATCH BASIN TO THE STORM SEWER SYSTEM

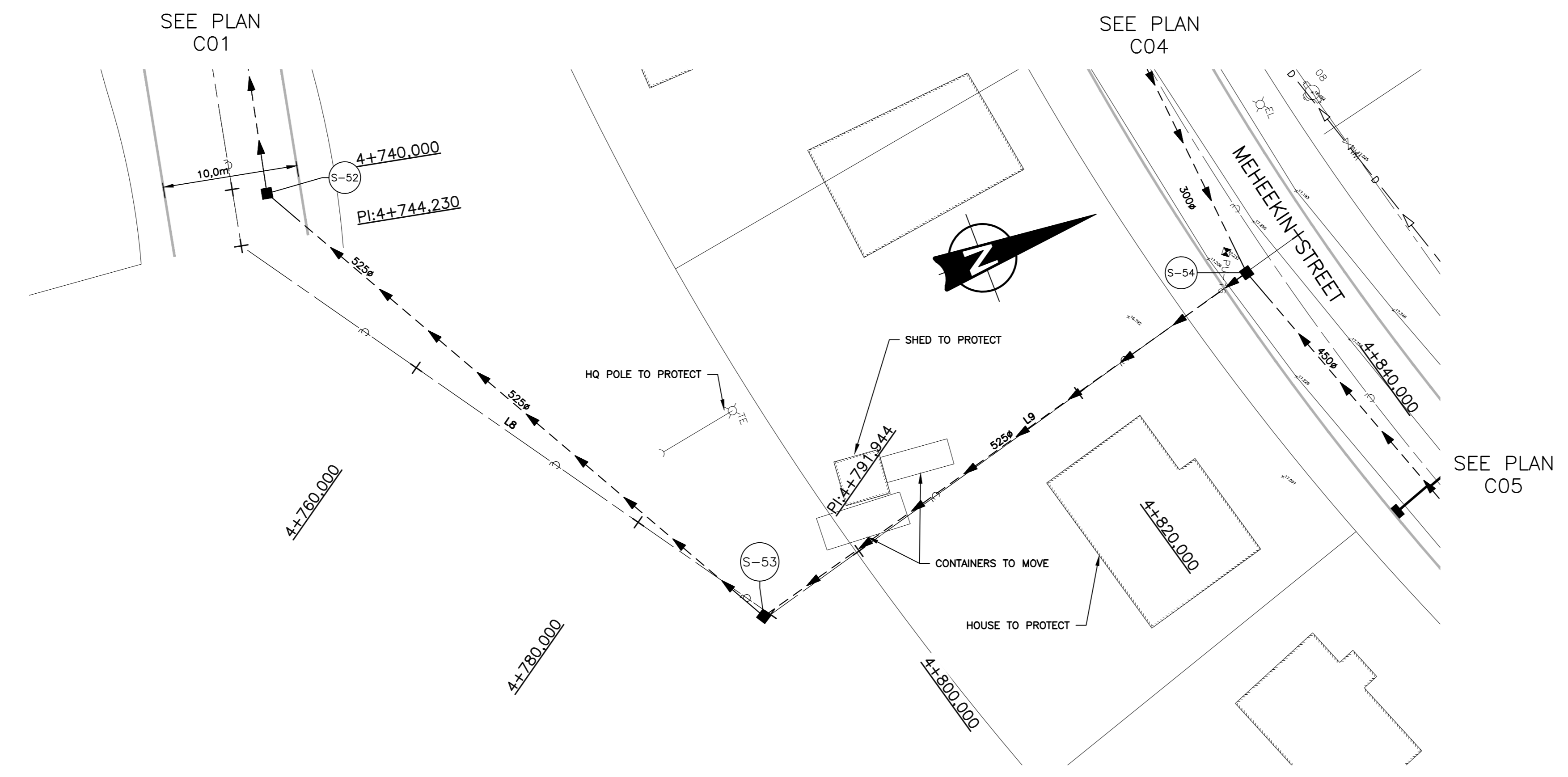
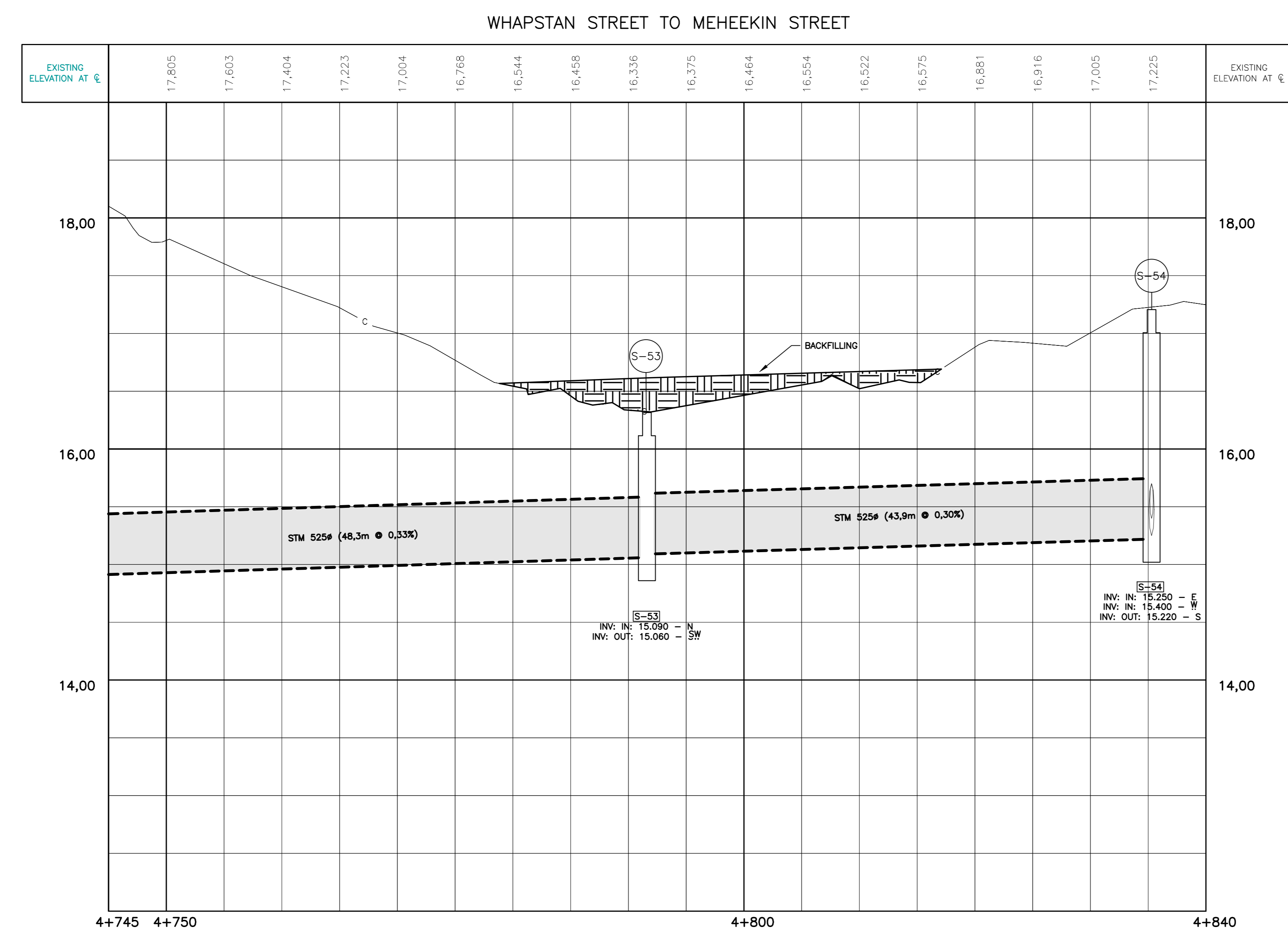


TABLEAU DE L'AXE = WHAPSTAN STREET

No.	LONGUEUR	RAYON	DIRECTION LIGNE/CORDE	CORDE	A	PI/TANGENTE	COORDONNÉE DÉPART X	COORDONNÉE DÉPART Y	CHAÎNAGE DÉPART	COORDONNÉE FIN X	COORDONNÉE FIN Y	CHAÎNAGE FIN
LB	47,714		N55° 55' 47.35"E			L	325196,457	6128765,656	4+744,230	325235,981	6128792,386	4+791,944
LB	48,056		N14° 40' 19.79"W			L	325235,981	6128792,386	4+791,944	325223,809	6128838,875	4+840,000



LEGEND

EXISTING	PROPOSED	DESCRIPTION
⊙	⊙	SURVEY MARK
—	—	BENCHMARK
—	—	LOT LINE
		BUILDING
		TOP OF SLOPE
		BOTTOM OF SLOPE
		WOODED BOUNDARY
—	—	FENCE
—	—	HEDGE
—	—	COUNTOUR LINE
—	—	WATER LINE (plan)
—	—	WATER LINE (profile)
—	—	FIRE HYDRANT
—	—	VALVE
—	—	SERVICE CONNECTION
—	—	DITCH (plan)
—	—	STORM SEWER LINE (plan)
—	—	DOMESTIC SEWER LINE (plan)
—	—	STORM SEWER LINE (profile)
—	—	DOMESTIC SEWER LINE (profile)
—	—	STORM MANHOLE
—	—	CATCHBASIN
—	—	LEFT SIDE (profile)
—	—	CENTER LINE
—	—	RIGHT SIDE (profile)
—	—	GRAVEL SHOULDER
—	—	CURB
—	—	SIDEWALK
—	—	PAVING
—	—	SAFETY BARRIER
—	—	RETAINING WALL
—	—	RAILROAD
—	—	LAMP POST
—	—	UNDERGROUND TELEPHONE NETWORK
—	—	OVERHEAD TELEPHONE NETWORK
—	—	UNDERGROUND CABLE NETWORK
—	—	OVERHEAD CABLE NETWORK
—	—	TELEPHONE POST
—	—	ELECTRIC POST
—	—	COMMUNICATION MANHOLE
—	—	UNDERGROUND ELECTRIC NETWORK
—	—	OVERHEAD ELECTRIC NETWORK
—	—	ELECTRIC MANHOLE
—	—	GAS LINE
—	—	UNDERGROUND LIGHTING NETWORK
—	—	OVERHEAD LIGHTING NETWORK

THIS PLAN SHOULD BE USED FOR CONSTRUCTION ONLY IF IT IS SIGNED AND SEALED BY AN ENGINEER AND THE NOTICE "FOR CONSTRUCTION" APPEAR IN THE REVISION LIST

No.	Date	FOR LIST OF MATERIAL	Description	Par
01	2019/03/01			Y.D.

CONÇU PAR : VERIFIÉ PAR :

INGÉNIEUR :

CLIENT :

WHAPMAGOOSTUI FIRST NATION

PROJET : **STORM DRAINAGE CONSTRUCTION AND SANITARY SEWER REPLACEMENT**

TITRE DU DESSIN : **WHAPSTAN STREET 4+745 @ 4+840**

DISCIPLINE : **INFRASTRUCTURE**

DESSIN PAR : F.Ampleman	RAPPORT : 1:250
CONÇU PAR : Y.Durand eng	DATE : 2019/03/01
APProuvé : Y.Durand eng	DESIGNER : Y.Durand eng

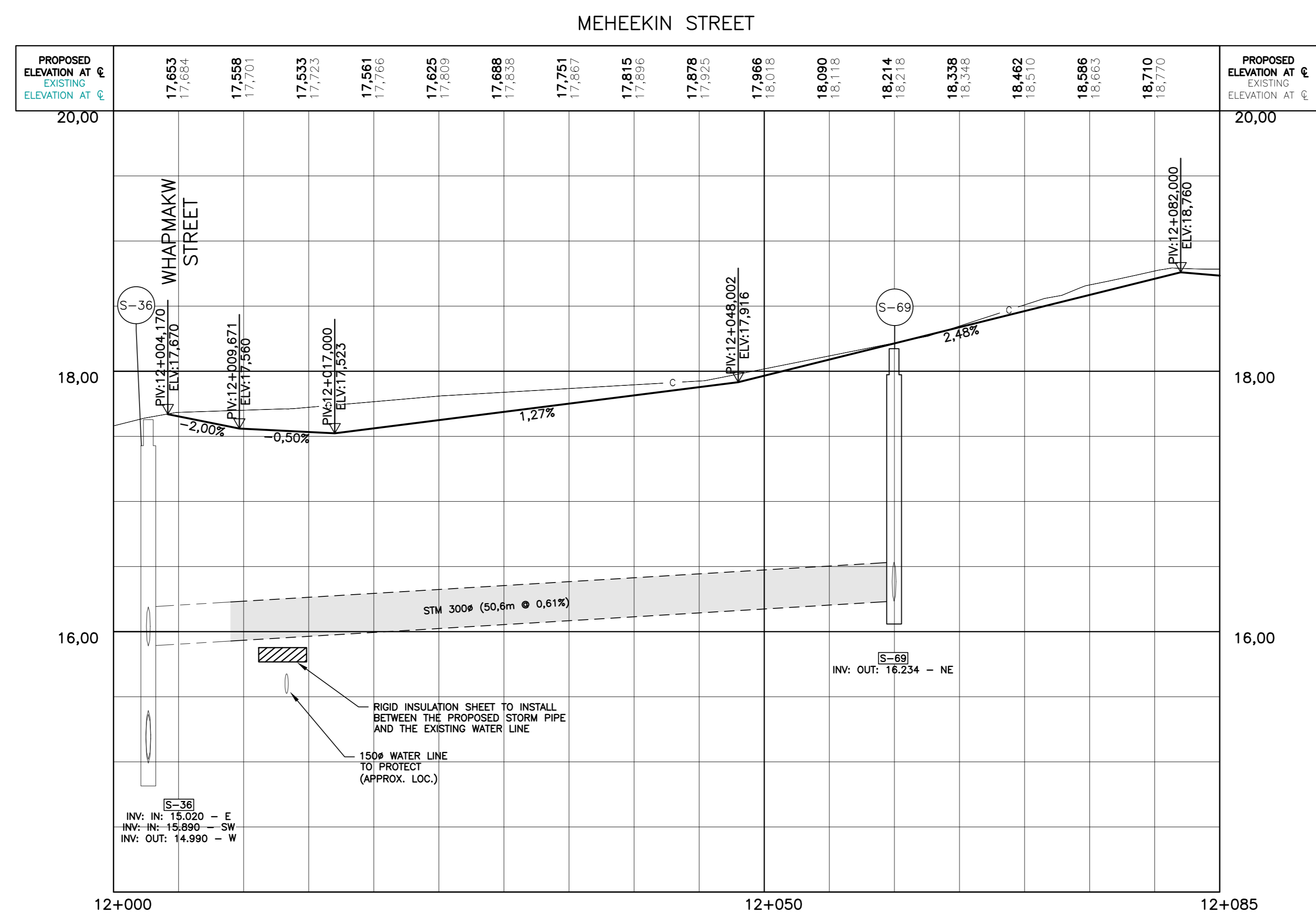
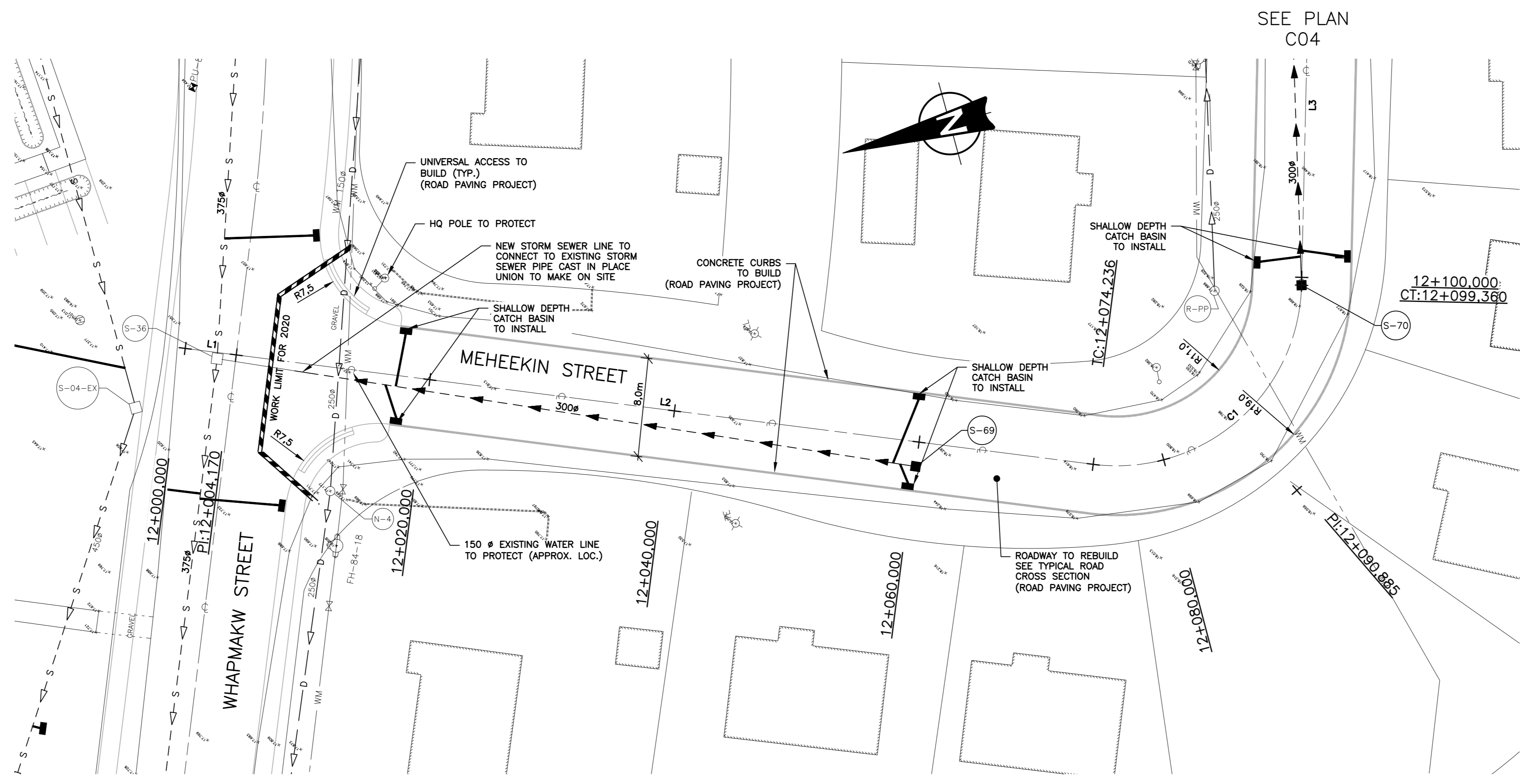
PROJET No : Q182489A DESSIN No : C02

FEUILLE No : C02 DE C16

DATE: 2019/03/01 09:00:00 - TABLE: TABLE DU PLAN - 1:250
 CHÉMIN: Z:\Cmme\400\Projets\0124289A - CNDWPN - Technical assistance - Infrastructure Projects\Whapmagostui\Plan\CONV\List for material 2019\LOT 320\2020\0124289A - C03\C03 - Meheekin.dwg / PRESENTATION - C03

TABLEAU DE L'AXE = MEHEEKIN STREET

No.	LONGUEUR	RAYON	DIRECTION LIGNE/CORDE	CORDE	Δ	PI/TANGENTE	COORDONNÉE DÉPART X	COORDONNÉE DÉPART Y	CHAINAGE DÉPART	COORDONNÉE FIN X	COORDONNÉE FIN Y	CHAINAGE FIN
L1	4,170		S22° 40' 12,94"W			L	325103,969	6128936,238	12+000,000	325102,362	6128932,390	12+004,170
L2	70,065		S22° 40' 12,94"W			L	325102,362	6128932,390	12+004,170	325075,357	6128867,738	12+074,236
C1	25,124	15,000	S25° 18' 47,37"E	22,289	95°58'01"	PI	325068,940	6128852,375	12+090,885			12+090,885
L3	27,353		S73° 17' 47,69"E			L	325064,867	6128847,569	12+099,360	325111,086	6128839,728	12+126,713



NOTE OF CAUTION
 A 2000 PVC DR35 PIPE WILL BE USED TO CONNECT EACH CATCH BASIN TO THE STORM SEWER SYSTEM

LEGEND

	SURVEY MARK
	LOT LINE
	BUILDING
	TOP OF SLOPE
	BOTTOM OF SLOPE
	FENCED BOUNDARY
	HEDGE
	CONTOUR LINE
	WATER LINE (plan)
	WATER LINE (profile)
	FIRE HYDRANT
	VALVE
	SERVICE CONNECTION
	DITCH (plan)
	STORM SEWER LINE (plan)
	DOMESTIC SEWER LINE (plan)
	STORM SEWER LINE (profile)
	DOMESTIC SEWER LINE (profile)
	STORM MANHOLE
	CATCH BASIN
	LEFT SIDE (profile)
	CENTER LINE
	RIGHT SIDE (profile)
	GRAVEL SHOULDER
	CURB
	SIDEWALK
	PAVING
	SAFETY BARRIER
	RETAINING WALL
	RAILROAD
	LAMP POST
	UNDERGROUND TELEPHONE NETWORK
	OVERHEAD TELEPHONE NETWORK
	UNDERGROUND CABLE NETWORK
	OVERHEAD CABLE NETWORK
	TELEPHONE POST
	ELECTRIC POST
	COMMUNICATION MANHOLE
	UNDERGROUND ELECTRIC NETWORK
	OVERHEAD ELECTRIC NETWORK
	ELECTRIC MANHOLE
	GAS LINE
	UNDERGROUD LIGHTING NETWORK
	OVERHEAD LIGHTING NETWORK

THIS PLAN SHOULD BE USED FOR CONSTRUCTION ONLY IF IT IS SIGNED AND SEALED BY AN ENGINEER AND THE NOTICE TO CONSTRUCTION* APPEAR IN THE REVISION LIST

No.	Date	FOR LIST OF MATERIAL	Y.D.

CONCUP PAR: VERSE PAR:



PROJET:
 STORM DRAINAGE CONSTRUCTION AND SANITARY SEWER REPLACEMENT

TITRE DU DESSIN:
 MEHEEKIN STREET
 12+000 @ 12+085

DISCIPLINE:
 INFRASTRUCTURE

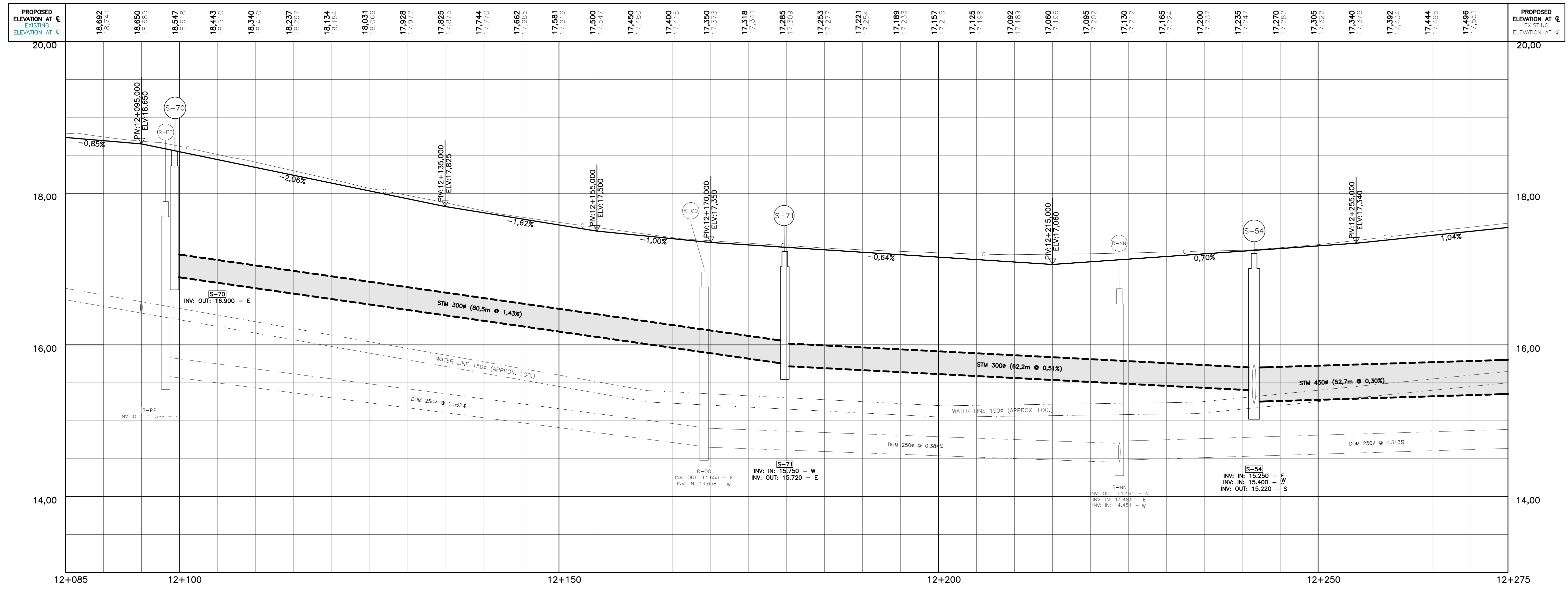
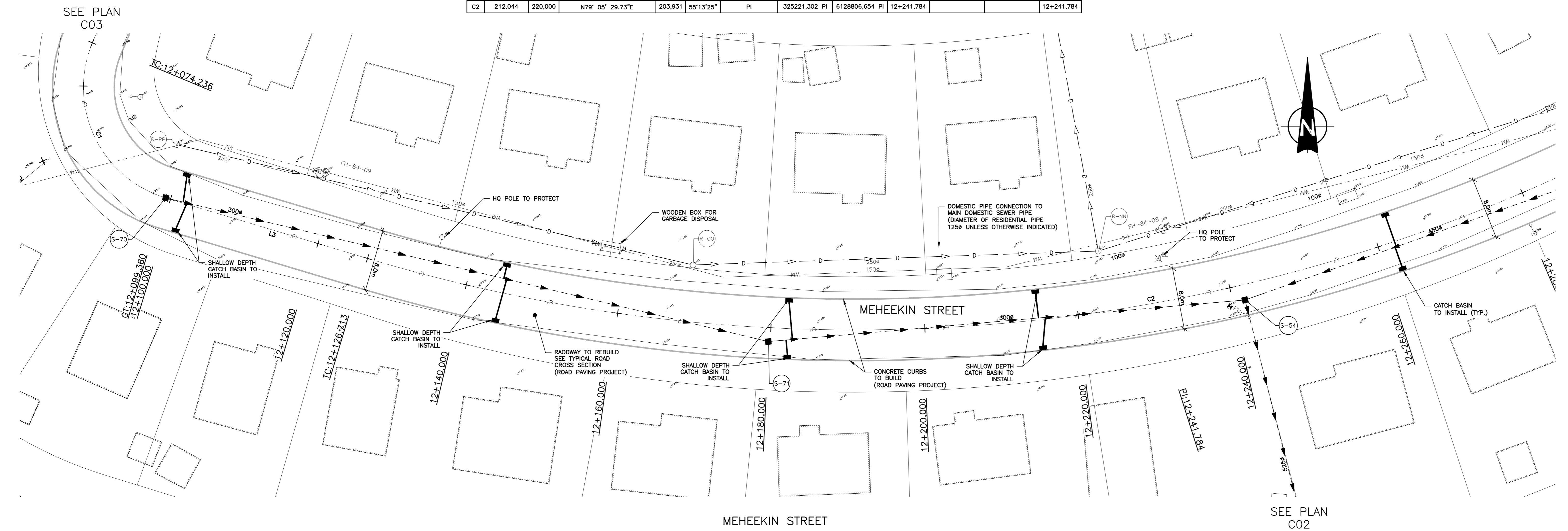
DESSINE PAR: F.Ampleman	RAPPORT: 1:250
CONCUP PAR: Y.Durand eng	DATE: 20190301
APProuvé par: Y.Durand eng	DESSEINER: Y.Durand eng
PROJET No: Q182489A	DESSIN No: C03
FEUILLE No: C03 DE C16	

CARTOUCHE ET MODÈLE NERT F16.3

NOTE OF CAUTION
A 2000 PVC DR35 PIPE WILL BE USED TO CONNECT EACH CATCH BASIN TO THE STORM SEWER SYSTEM

TABEAU DE L'AXE = MEHEEKIN STREET

No.	LONGUEUR	RAYON	DIRECTION LIGNE/CORDE	CORDE	Δ	PI/TANGENTE	COORDONNÉE DÉPART X	COORDONNÉE DÉPART Y	CHAÎNAGE DÉPART	COORDONNÉE FIN X	COORDONNÉE FIN Y	CHAÎNAGE FIN
C1	25,124	15,000	S25° 18' 47.37"E	22,289	95°58'01"	PI	325068,940	6128852,375	PI	325111,086	6128839,728	12+090,885
L	27,353		S73° 17' 47.69"E			L	325084,887	6128847,589	12+099,360			12+126,713
C2	212,044	220,000	N79° 05' 29.73"E	203,931	55°13'25"	PI	325221,302	6128806,654	PI	325241,784	6128811,000	12+241,784



LEGEND

EXISTING	PROPOSED	DESCRIPTION
		SURVEY MARK
		LOT LINE
		BUILDING
		TOP OF SLOPE
		BOTTOM OF SLOPE
		WOODED BOUNDARY
		FENCE
		HEDGE
		CONTOUR LINE
		WATER LINE (plan)
		WATER LINE (profile)
		FIRE HYDRANT
		VALVE
		SERVICE CONNECTION
		DITCH (plan)
		STORM SEWER LINE (plan)
		DOMESTIC SEWER LINE (plan)
		STORM SEWER LINE (profile)
		DOMESTIC SEWER LINE (profile)
		STORM MANHOLE
		CATCH BASIN
		LEFT SIDE (profile)
		CENTER LINE
		RIGHT SIDE (profile)
		GRAVEL SHOULDER
		CURB
		SIDEWALK
		PAVING
		SAFETY BARRIER
		RETAINING WALL
		RAILING
		LAMP POST
		UNDERGROUND TELEPHONE NETWORK
		OVERHEAD TELEPHONE NETWORK
		UNDERGROUND CABLE NETWORK
		OVERHEAD CABLE NETWORK
		TELEPHONE POST
		ELECTRIC POST
		COMMUNICATION MANHOLE
		UNDERGROUND ELECTRIC NETWORK
		OVERHEAD ELECTRIC NETWORK
		ELECTRIC MANHOLE
		GAS LINE
		UNDERGROUND LIGHTING NETWORK
		OVERHEAD LIGHTING NETWORK

THIS PLAN SHOULD BE USED FOR CONSTRUCTION ONLY IF IT IS SIGNED AND SEALED BY AN ENGINEER AND THE NOTICE FOR CONSTRUCTION APPEAR IN THE REVISION LIST

No.	Date	FOR LIST OF MATERIAL	Y.D.
01	20190301		

CONCÉPTEUR: [Signature]

VERIFIÉ PAR: [Signature]

CIMA+ OMBRESA

1 418-623-2373 F 418-623-2321

300-1143, rue Saint-Jacques, Québec, QC G2K 2N8 CANADA

CLIENT:

WHAPMAGOOSTUI FIRST NATION

PROJET:

STORM DRAINAGE CONSTRUCTION AND SANITARY SEWER REPLACEMENT

TITRE DU DESSIN:

MEHEEKIN STREET

12+085 @ 12+275

DISCIPLINE:

INFRASTRUCTURE

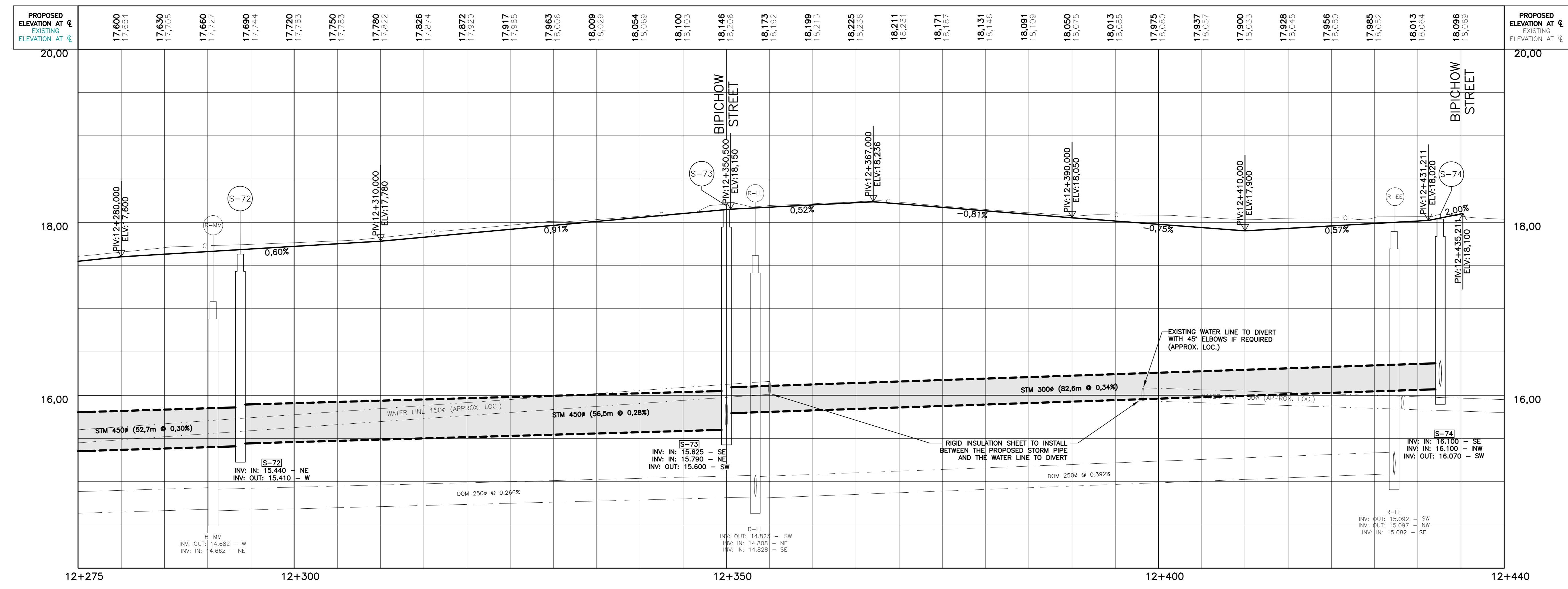
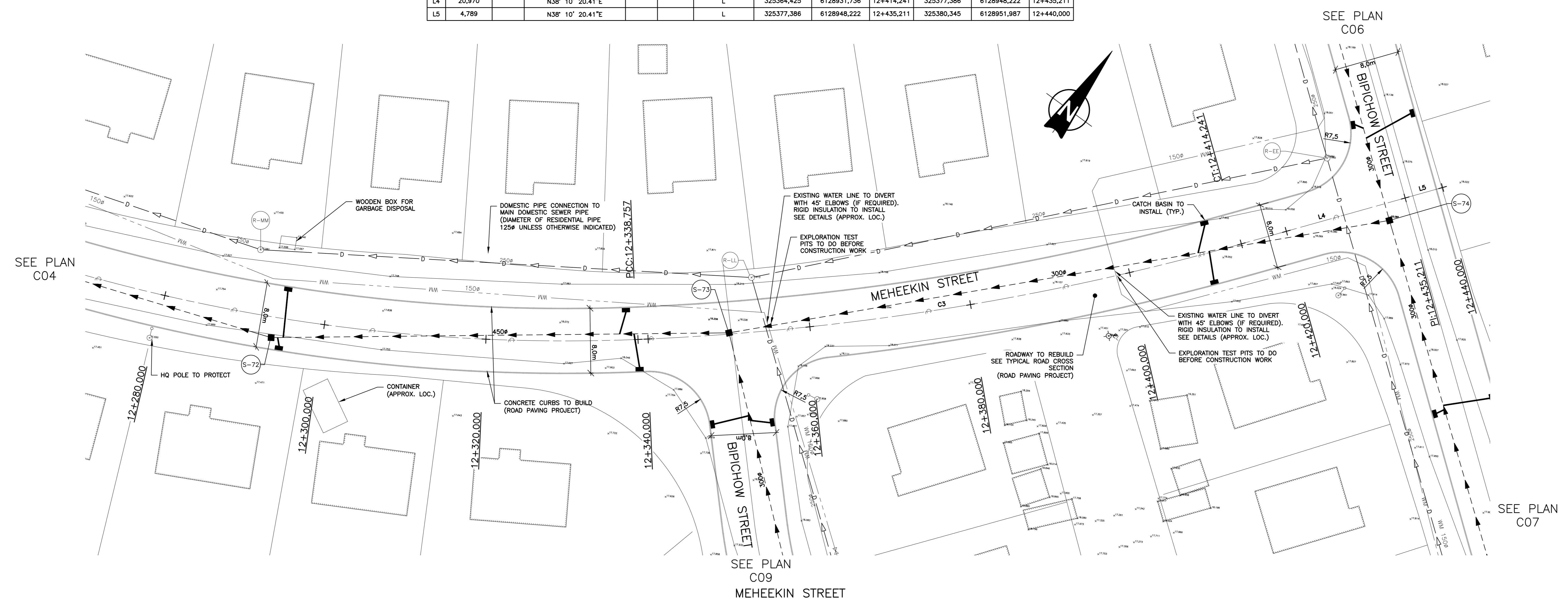
DESSINE PAR: F.Ampleman	RAPPORT: 1:250
CONCÉPTEUR: Y.Durand eng	DATE: 20190301
PROJET No: Q182489A	DESSIN No: C04
FEUILLE No: C04 DE C16	

DATE D'IMPRESSION: 20190301 14:45:00 F. AMPLEMAN / TABLEAU DE L'AXE - C04
 CHÉMIN: Z:\CIMA-400\Projets\Whapmagostui\CD\1611\LOT 320\2020\1611\MEHEEKIN - C04\05 - Meheekin.dwg / PRESENTATION - C04

DATE: 2019/03/01 - 2019/03/01 - TABLEAU DE L'AXE - MEHEEKIN STREET - C05
 CHÉMIN: Z:\Cmms\400\Projets\0124289A - C05\05 - Meheekin_05.dwg / PRESENTATION - C05

NOTE OF CAUTION
 A 2000 PVC DR35 PIPE WILL BE USED TO CONNECT EACH CATCH BASIN TO THE STORM SEWER SYSTEM

TABLEAU DE L'AXE - MEHEEKIN STREET													
No.	LONGUEUR	RAYON	DIRECTION LIGNE/CORDE	CORDE	Δ	PI/TANGENTE	COORDONNÉE DÉPART X	COORDONNÉE DÉPART Y	CHAÎNAGE DÉPART	COORDONNÉE FIN X	COORDONNÉE FIN Y	CHAÎNAGE FIN	
C3	75,484	325,000	N44° 49' 33.78"E	75,314	1.318'22"	PI	325340,994	6128901,931	PI	12+376,669		12+376,669	
L4	20,970		N38° 10' 20.41"E			L	325364,425	6128931,736		12+414,241	325377,386	6128948,222	12+435,211
L5	4,789		N38° 10' 20.41"E			L	325377,386	6128948,222		12+435,211	325380,345	6128951,987	12+440,000



LEGEND

EXISTING	PROPOSED	DESCRIPTION
⊙	⊙	SURVEY MARK
—	—	BENCHMARK
—	—	LOT LINE
—	—	BUILDING
—	—	TOP OF SLOPE
—	—	BOTTOM OF SLOPE
—	—	WOODED BOUNDARY
—	—	FENCE
—	—	HEDGE
—	—	COUNTOUR LINE
—	—	WATER LINE (plan)
—	—	WATER LINE (profile)
—	—	FIRE HYDRANT
—	—	VALVE
—	—	SERVICE CONNECTION
—	—	DITCH (plan)
—	—	STORM SEWER LINE (plan)
—	—	DOMESTIC SEWER LINE (plan)
—	—	STORM SEWER LINE (profile)
—	—	DOMESTIC SEWER LINE (profile)
—	—	STORM MANHOLE
—	—	CATCHBASIN
—	—	LEFT SIDE (profile)
—	—	CENTER LINE
—	—	RIGHT SIDE (profile)
—	—	GRAVEL SHOULDER
—	—	CURB
—	—	SIDEWALK
—	—	PAVING
—	—	SAFETY BARRIER
—	—	RETAINING WALL
—	—	RAILROAD
—	—	LAMP POST
—	—	UNDERGROUND TELEPHONE NETWORK
—	—	OVERHEAD TELEPHONE NETWORK
—	—	UNDERGROUND CABLE NETWORK
—	—	OVERHEAD CABLE NETWORK
—	—	TELEPHONE POST
—	—	ELECTRIC POST
—	—	COMMUNICATION MANHOLE
—	—	UNDERGROUND ELECTRIC NETWORK
—	—	OVERHEAD ELECTRIC NETWORK
—	—	ELECTRIC MANHOLE
—	—	GAS LINE
—	—	UNDERGROUND LIGHTING NETWORK
—	—	OVERHEAD LIGHTING NETWORK

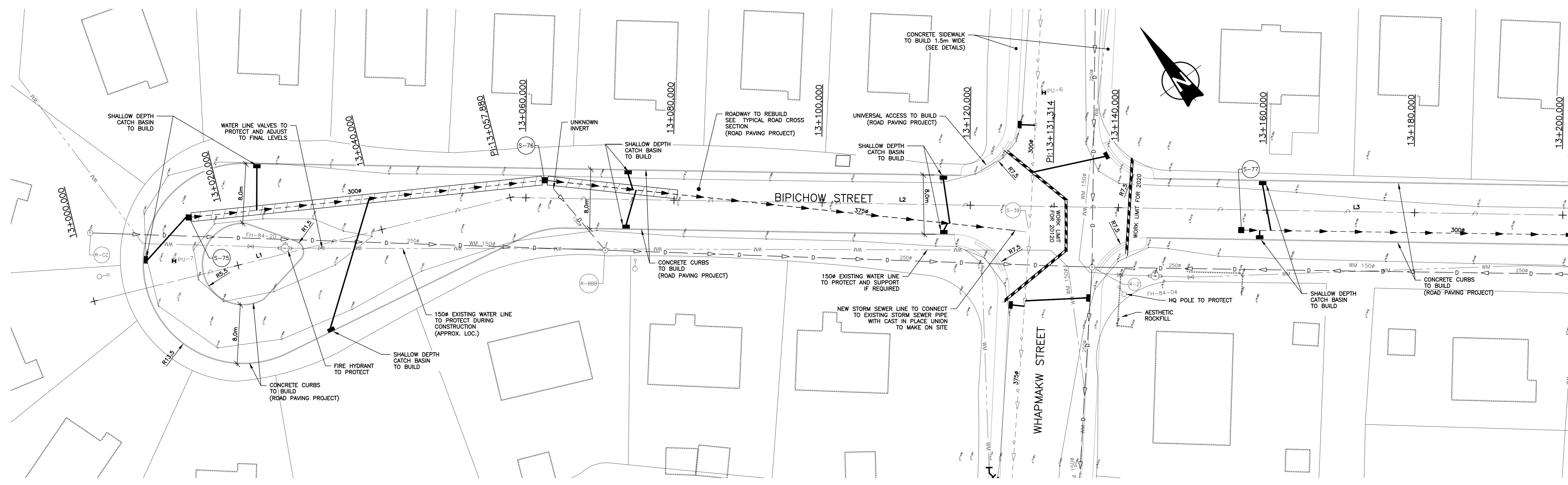
THIS PLAN SHOULD BE USED FOR CONSTRUCTION ONLY IF IT IS SIGNED AND SEALED BY AN ENGINEER AND THE NOTICE TO CONSTRUCTION APPEAR IN THE REVISION LIST

01	2019/03/01	FOR LIST OF MATERIAL	Y.D.
No.	Date	Description	Par
SCAUX :			
CONÇU PAR		VÉRIFIÉ PAR	
CLIENT :			
PROJET :			
STORM DRAINAGE CONSTRUCTION AND SANITARY SEWER REPLACEMENT			
TITRE DU DESSIN :			
MEHEEKIN STREET 12+275 @ 12+440			
DISCIPLINE :			
INFRASTRUCTURE			
DESSIN PAR :		RAPPORT :	
F. Ampleman		1:250	
CONÇU PAR :		DATE :	
Y. Durand eng		2019/03/01	
VÉRIFIÉ PAR :		DÉSIGNÉ PAR :	
Y. Durand eng		Y. Durand eng	
PROJET No. :		DESSIN No. :	
Q182489A		C05	
FEUILLE No. :		C05 DE C16	

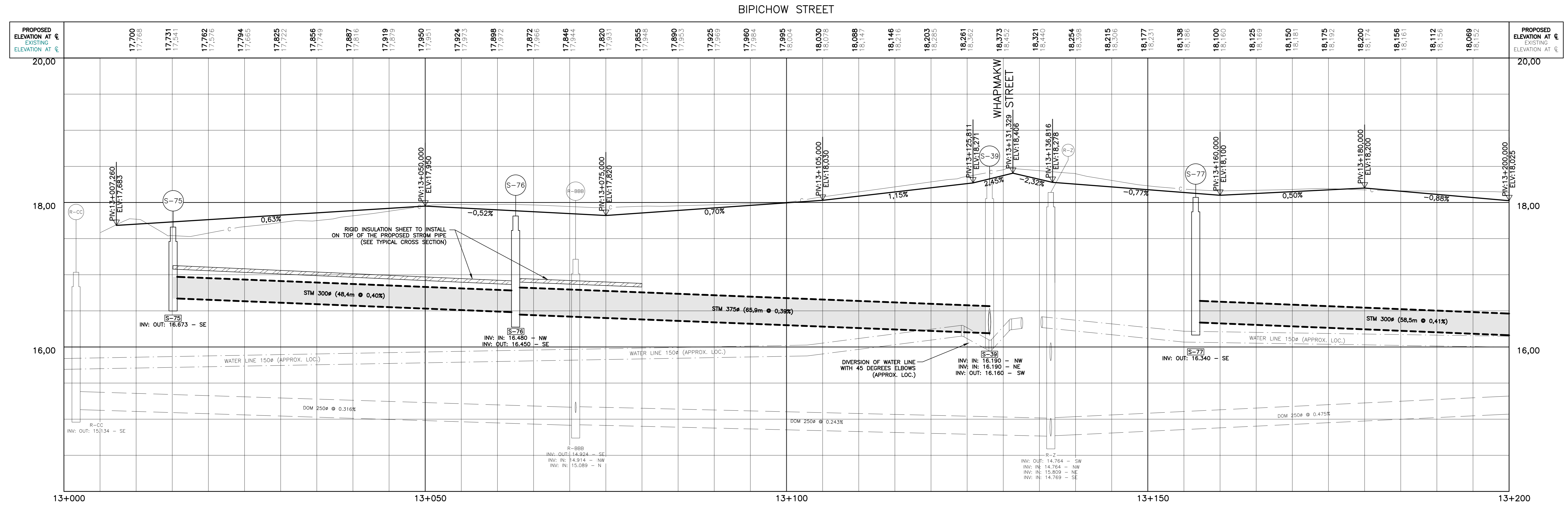
DATE PROPOSED: 20190301 14:00:00; DATE EXISTING: 20190301 14:00:00; DATE OF PAPER: 20190301 14:00:00; CHAINAGE: 2.00m; PROJECT: STORM DRAINAGE CONSTRUCTION AND SANITARY SEWER REPLACEMENT; CLIENT: WHAPMAGOUSTUI FIRST NATION; ENGINEER: Y. Durand eng; PROJECT NO: Q182489A; FEUILLE NO: C06 DE C16; PRESENTATION: C06 @ C06 BIPICHOW STY; PRESENTATION: C06

TABLEAU DE L'AXE = BIPICHOW STREET

No.	LONGUEUR	RAYON	DIRECTION LIGNE/CORDE	CORDE	PI/TANGENTE	COORDONNÉE DÉPART X	COORDONNÉE DÉPART Y	CHAINAGE DÉPART	COORDONNÉE FIN X	COORDONNÉE FIN Y	CHAINAGE FIN
L1	57,880		S86° 48' 08.81"E		L	325202,273	6129066,929	13+000,000	325255,460	6129044,099	13+057,880
L2	73,434		S51° 49' 12.62"E		L	325255,460	6129044,099	13+057,880	325313,184	6128998,707	13+131,314
L3	81,673		S51° 49' 12.62"E		L	325313,184	6128998,707	13+131,314	325377,386	6128948,222	13+212,987



SEE PLAN C07



NOTE OF CAUTION
 A 2000 PVC DR35 PIPE WILL BE USED TO CONNECT EACH CATCH BASIN TO THE STORM SEWER SYSTEM

LEGEND

EXISTING	PROPOSED	DESCRIPTION
(Symbol)	(Symbol)	SURVEY MARK
(Symbol)	(Symbol)	BENCHMARK
(Symbol)	(Symbol)	LOT LINE
(Symbol)	(Symbol)	BUILDING
(Symbol)	(Symbol)	TOP OF SLOPE
(Symbol)	(Symbol)	BOTTOM OF SLOPE
(Symbol)	(Symbol)	WOODEN BOUNDARY
(Symbol)	(Symbol)	FENCE
(Symbol)	(Symbol)	HEGE
(Symbol)	(Symbol)	COUNTOUR LINE
(Symbol)	(Symbol)	WATER LINE (plan)
(Symbol)	(Symbol)	WATER LINE (profile)
(Symbol)	(Symbol)	FIRE HYDRANT
(Symbol)	(Symbol)	VALVE
(Symbol)	(Symbol)	SERVICE CONNECTION
(Symbol)	(Symbol)	DITCH (plan)
(Symbol)	(Symbol)	STORM SEWER LINE (plan)
(Symbol)	(Symbol)	DOMESTIC SEWER LINE (plan)
(Symbol)	(Symbol)	STORM SEWER LINE (profile)
(Symbol)	(Symbol)	DOMESTIC SEWER LINE (profile)
(Symbol)	(Symbol)	STORM MANHOLE
(Symbol)	(Symbol)	STORM MANHOLE CATCHBASIN
(Symbol)	(Symbol)	LEFT SIDE (profile)
(Symbol)	(Symbol)	CENTER LINE
(Symbol)	(Symbol)	RIGHT SIDE (profile)
(Symbol)	(Symbol)	GRAVEL SHOULDER
(Symbol)	(Symbol)	CURB
(Symbol)	(Symbol)	SIDEWALK
(Symbol)	(Symbol)	PAVING
(Symbol)	(Symbol)	SAFETY BARRIER
(Symbol)	(Symbol)	RETAINING WALL
(Symbol)	(Symbol)	RAILROAD
(Symbol)	(Symbol)	LAMP POST
(Symbol)	(Symbol)	UNDERGROUND TELEPHONE NETWORK
(Symbol)	(Symbol)	OVERHEAD TELEPHONE NETWORK
(Symbol)	(Symbol)	UNDERGROUND CABLE NETWORK
(Symbol)	(Symbol)	OVERHEAD CABLE NETWORK
(Symbol)	(Symbol)	TELEPHONE POST
(Symbol)	(Symbol)	ELECTRIC POST
(Symbol)	(Symbol)	COMMUNICATION MANHOLE
(Symbol)	(Symbol)	UNDERGROUND ELECTRIC NETWORK
(Symbol)	(Symbol)	OVERHEAD ELECTRIC NETWORK
(Symbol)	(Symbol)	ELECTRIC MANHOLE
(Symbol)	(Symbol)	GAS LINE
(Symbol)	(Symbol)	UNDERGROUND LIGHTING NETWORK
(Symbol)	(Symbol)	OVERHEAD LIGHTING NETWORK

THIS PLAN SHOULD BE USED FOR CONSTRUCTION ONLY IF IS SIGNED AND SEALED BY AN ENGINEER AND THE NOTICE "FOR CONSTRUCTION" APPEAR IN THE REVISION LIST

NO.	DATE	DESCRIPTION	PER
01	20190301	FOR LIST OF MATERIAL	Y.D.

CLIENT: WHAPMAGOUSTUI FIRST NATION

PROJECT: STORM DRAINAGE CONSTRUCTION AND SANITARY SEWER REPLACEMENT

TITRE DU DESSIN: BIPICHOW STREET
13+000 @ 13+200

DISCIPLINE: INFRASTRUCTURE

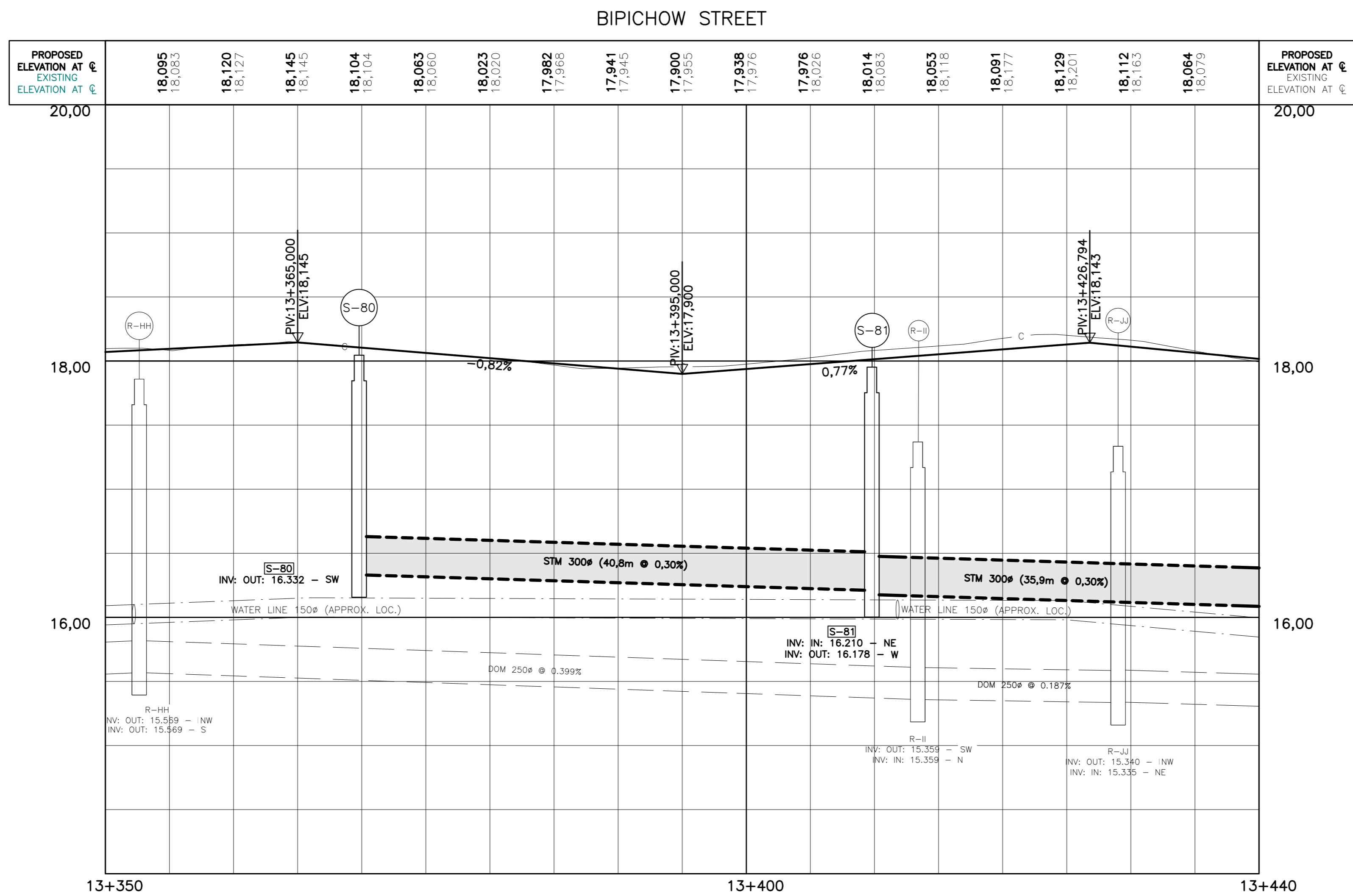
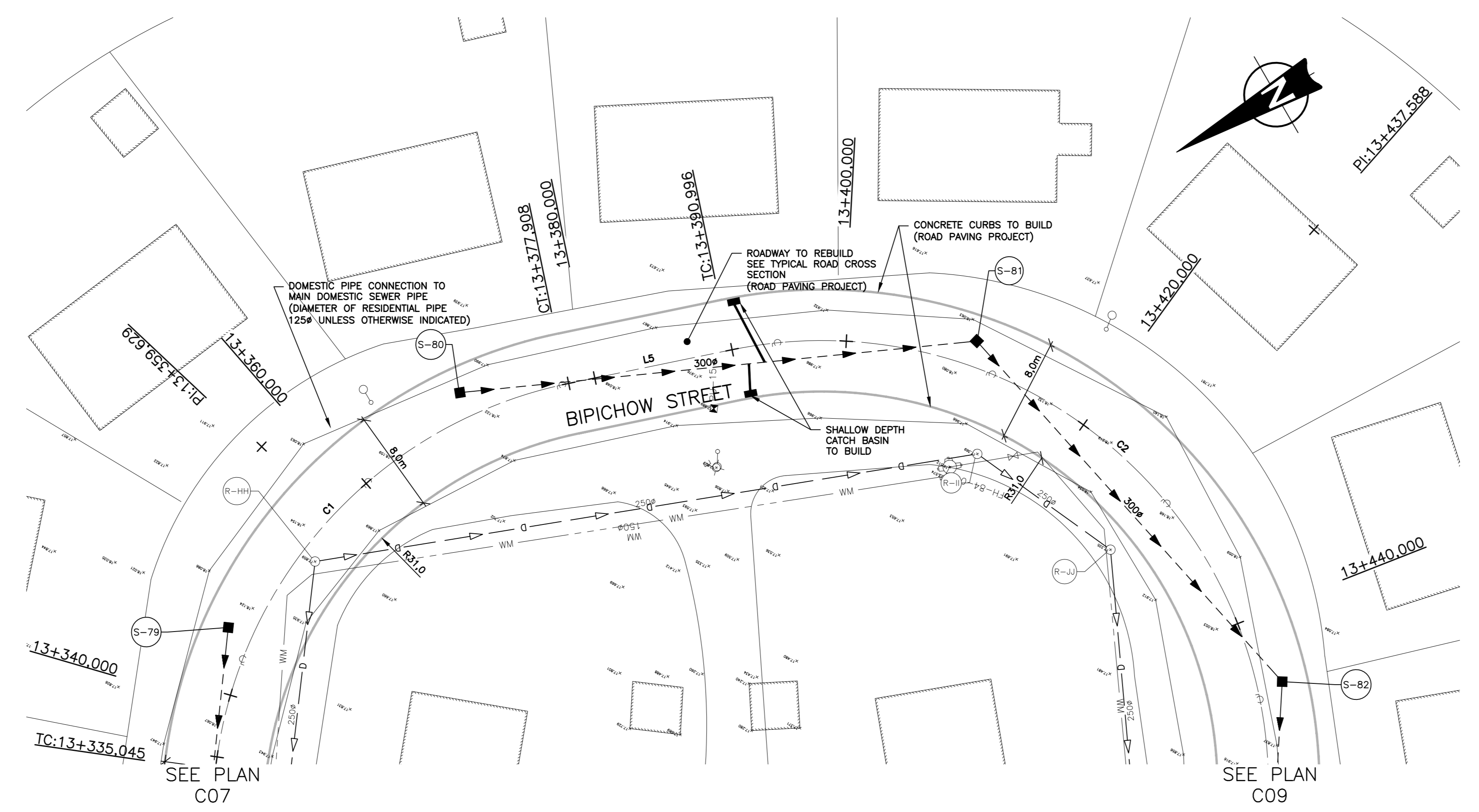
DESSINE PAR:	RAPPORT:
F. Ampleman	1:250
CONÇU PAR:	DATE:
Y. Durand eng	20190301
APProuvé PAR:	DATE:
Y. Durand eng	Y. Durand eng

PROJET NO: Q182489A **DESSIN NO:** C06

FEUILLE NO: C06 DE C16 **PROJET NO:** C06

DATE: 2019/03/01 09:00 AM; TITRE: BIPICHOW STREET; CHAIN: 2.00m; PROJET: STORM DRAINAGE CONSTRUCTION AND SANITARY SEWER REPLACEMENT; DISCIPLINE: INFRASTRUCTURE; PRESENTATION: C08

TABLEAU DE L'AXE = BIPICHOW STREET												
No.	LONGUEUR	RAYON	DIRECTION LIGNE/CORDE	CORDE	Δ	PI/TANGENTE	COORDONNEE DEPART X	COORDONNEE DEPART Y	CHAINAGE DEPART	COORDONNEE FIN X	COORDONNEE FIN Y	CHAINAGE FIN
C1	42,863	35,000	S16° 44' 09,37"E	40,235	70°10'07"	PI	325492,657	6128857,578	13+359,629			13+359,629
L5	13,088		S18° 20' 53,88"W			L	325484,918	6128834,244	13+377,908	325480,798	6128821,822	13+390,996
C2	64,857	35,000	S71° 26' 03,82"W	55,968	106°10'20"	PI	325466,131	6128777,599	13+437,588			13+437,588



NOTE OF CAUTION
A 2000 PVC DR35 PIPE WILL BE USED TO CONNECT EACH CATCH BASIN TO THE STORM SEWER SYSTEM

EXISTING	PROPOSED	DESCRIPTION
⊙	⊙	SURVEY MARK
⊙	⊙	BENCHMARK
—	—	LOT LINE
▭	▭	BUILDING
▭	▭	TOP OF SLOPE
▭	▭	BOTTOM OF SLOPE
▭	▭	WOODEN BOUNDARY
▭	▭	FENCE
▭	▭	HEDGE
—	—	CONTOUR LINE
—	—	WATER LINE (prop)
—	—	WATER LINE (profile)
—	—	FIRE HYDRANT
—	—	VALVE
—	—	SERVICE CONNECTION
—	—	DITCH (plan)
—	—	STORM SEWER LINE (plan)
—	—	DOMESTIC SEWER LINE (plan)
—	—	STORM SEWER LINE (profile)
—	—	DOMESTIC SEWER LINE (profile)
—	—	STORM MANHOLE
—	—	CATCHBASIN
—	—	LEFT SIDE (profile)
—	—	CENTER LINE
—	—	RIGHT SIDE (profile)
—	—	GRAVEL SHOULDER
—	—	CURB
—	—	SIDEWALK
—	—	PAVING
—	—	SAFETY BARRIER
—	—	RETAINING WALL
—	—	RAILROAD
—	—	LAMP POST
—	—	UNDERGROUND TELEPHONE NETWORK
—	—	OVERHEAD TELEPHONE NETWORK
—	—	UNDERGROUND CABLE NETWORK
—	—	OVERHEAD CABLE NETWORK
—	—	UNDERGROUND TELEPHONE NETWORK
—	—	TELEPHONE POST
—	—	ELECTRIC POST
—	—	COMMUNICATION MANHOLE
—	—	UNDERGROUND ELECTRIC NETWORK
—	—	OVERHEAD ELECTRIC NETWORK
—	—	ELECTRIC MANHOLE
—	—	GAS LINE
—	—	UNDERGROUND LIGHTING NETWORK
—	—	OVERHEAD LIGHTING NETWORK

THIS PLAN SHOULD BE USED FOR CONSTRUCTION ONLY IF IT IS SIGNED AND SEALED BY AN ENGINEER AND THE NOTICE TO CONSTRUCTION* APPEAR IN THE REVISION LIST

NO.	DATE	FOR LIST OF MATERIAL	Y.D.
01	2019/03/01		

No.	Date	Description	Par
-----	------	-------------	-----

CONÇU PAR: VERIFIÉ PAR:



PROJET:
STORM DRAINAGE CONSTRUCTION AND SANITARY SEWER REPLACEMENT

TITRE DU DESSIN:
BIPICHOW STREET
13+350 @ 13+440

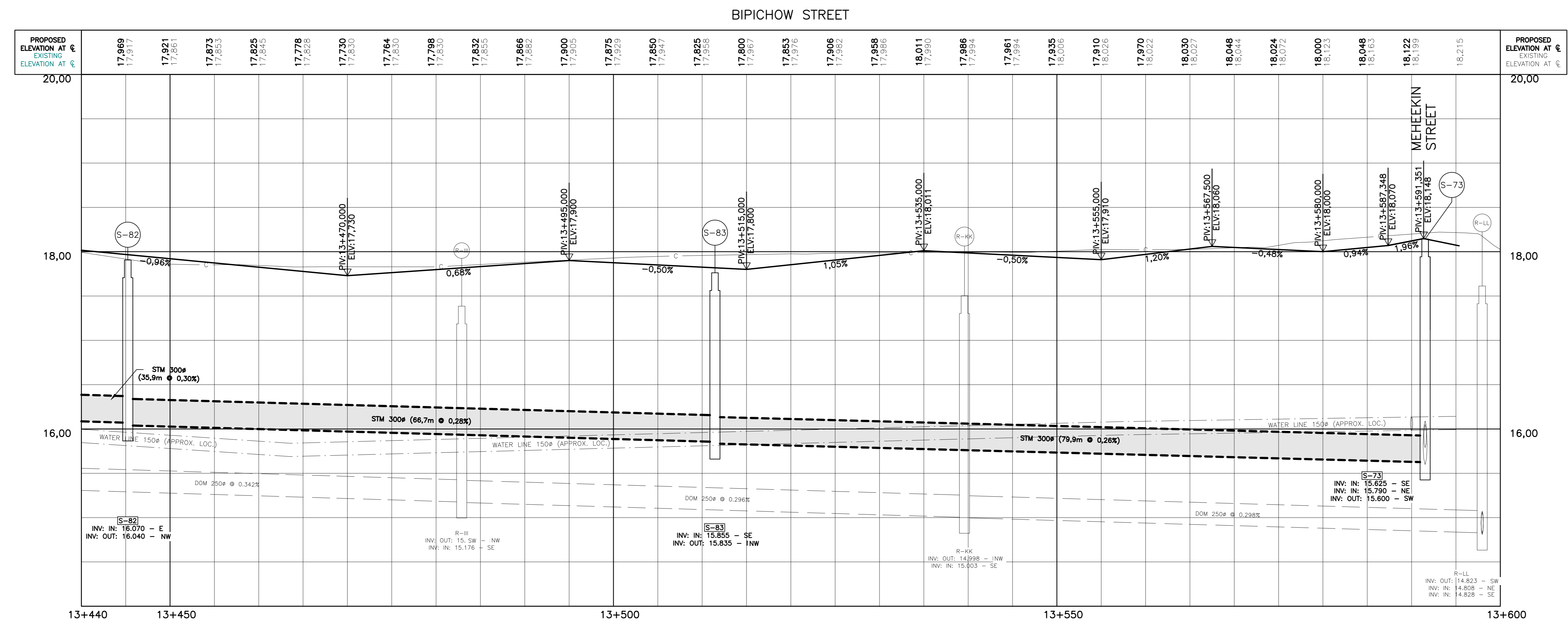
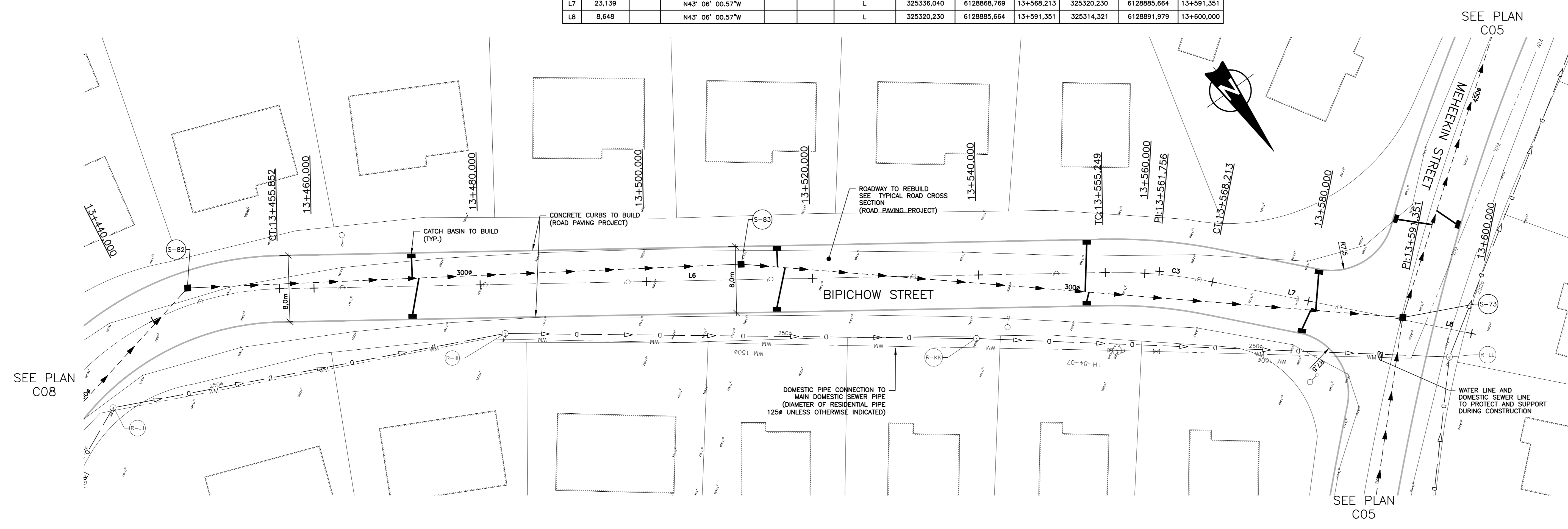
DISCIPLINE:
INFRASTRUCTURE

DESSINE PAR: F.Ampleman	RAPPORT: 1:250
CONÇU PAR: Y.Durand eng	DATE: 2019/03/01
APProuvé par: Y.Durand eng	DESSEINÉ par: Y.Durand eng
PROJET No: Q182489A	DESSIN No: C08
FEUILLE No: C08 DE C16	

DATE: 2019/03/01 10:00 AM; TABLE: BIPICHOW ST; PROJECT: Storm Drainage Construction and Sanitary Sewer Replacement; CLIENT: Whampagoostui First Nation; DRAWING: Z:\Cmms\400\Projects\400\BIPICHOW ST\BIPICHOW ST.dwg; PREPARED BY: Y. Durand; CHECKED BY: Y. Durand; PROJECT NO.: Q182489A; SHEET NO.: C09 DE C16

NOTE OF CAUTION
 A 2000 PVC DR35 PIPE WILL BE USED TO CONNECT EACH CATCH BASIN TO THE STORM SEWER SYSTEM

TABLEAU DE L'AXE = BIPICHOW STREET												
No.	LONGUEUR	RAYON	DIRECTION LIGNE/CORDE	CORDE	Δ	PI/TANGENTE	COORDONNÉE DÉPART X	COORDONNÉE DÉPART Y	CHAÎNAGE DÉPART	COORDONNÉE FIN X	COORDONNÉE FIN Y	CHAÎNAGE FIN
L6	99,397		N55° 28' 46.23"W	12,938	12°22'46"	L	325427,743	6128804,002	13+455,852	325345,848	6128860,331	13+555,249
C3	12,964	60,000	N49° 17' 23.40"W			P	325340,486	6128864,018	13+561,756	325320,230	6128865,664	13+561,756
L7	23,139		N43° 06' 00.57"W			L	325336,040	6128866,769	13+568,213	325320,230	6128865,664	13+591,351
L8	8,648		N43° 06' 00.57"W			L	325320,230	6128885,664	13+591,351	325314,321	6128891,979	13+600,000



LEGEND

EXISTING	PROPOSED	DESCRIPTION
⊙	⊙	SURVEY MARK
△	△	BENCHMARK
—	—	LOT LINE
		BUILDING
		TOP OF SLOPE
		BOTTOM OF SLOPE
		WOODED BOUNDARY
—	—	FENCE
—	—	HEDGE
—	—	COUNTOUR LINE
—	—	WATER LINE (plan)
—	—	WATER LINE (profile)
—	—	FIRE HYDRANT
—	—	VALVE
—	—	SERVICE CONNECTION
—	—	DITCH (plan)
—	—	STORM SEWER LINE (plan)
—	—	DOMESTIC SEWER LINE (plan)
—	—	STORM SEWER LINE (profile)
—	—	DOMESTIC SEWER LINE (profile)
—	—	STORM MANHOLE
—	—	CATCH BASIN
—	—	LEFT SIDE (profile)
—	—	CENTER LINE
—	—	RIGHT SIDE (profile)
—	—	GRANUL SHOULDER
—	—	CURB
—	—	SIDEWALK
—	—	PAVING
—	—	SAFETY BARRIER
—	—	RETAINING WALL
—	—	RAILROAD
—	—	LAMP POST
—	—	UNDERGROUND TELEPHONE NETWORK
—	—	OVERHEAD TELEPHONE NETWORK
—	—	UNDERGROUND CABLE NETWORK
—	—	OVERHEAD CABLE NETWORK
—	—	TELEPHONE POST
—	—	ELECTRIC POST
—	—	COMMUNICATION MANHOLE
—	—	UNDERGROUND ELECTRIC NETWORK
—	—	OVERHEAD ELECTRIC NETWORK
—	—	ELECTRIC MANHOLE
—	—	GAS LINE
—	—	UNDERGROUND LIGHTING NETWORK
—	—	OVERHEAD LIGHTING NETWORK

THIS PLAN SHOULD BE USED FOR CONSTRUCTION ONLY IF IT IS SIGNED AND SEALED BY AN ENGINEER AND THE NOTICE TO CONSTRUCTION* APPEAR IN THE REVISION LIST

01	2019/03/01	FOR LIST OF MATERIAL	Y.D.
No.	Date	Description	Par

SCAUX :

CONCU PAR: VERIFÉ PAR:

INGÉNIEUR :

CLIENT :

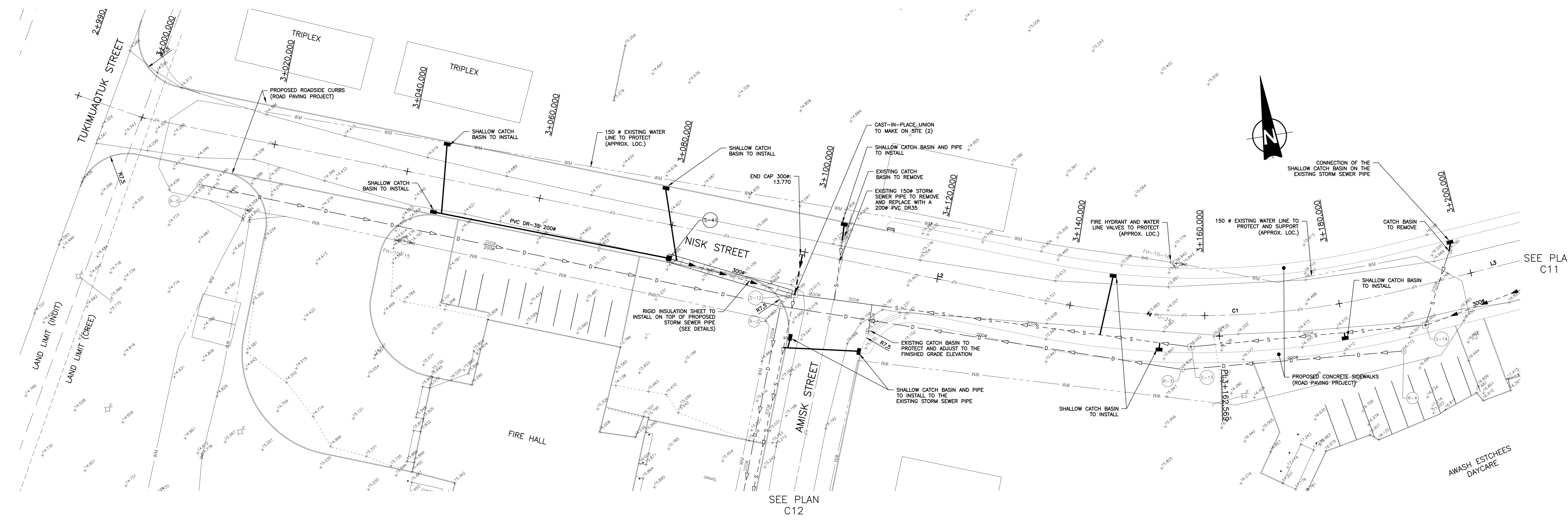
PROJET : STORM DRAINAGE CONSTRUCTION AND SANITARY SEWER REPLACEMENT

TITRE DU DESSIN : BIPICHOW STREET 13+440 @ 13+600

DISCIPLINE : INFRASTRUCTURE

DESSIN PAR: F.Ampleman	RAPPORT: 1:250
CONCU PAR: Y.Durand eng	DATE: 2019/03/01
INGÉNIEUR: Y.Durand eng	VERIFÉ PAR: Y.Durand eng
PROJET No: Q182489A	DESSIN No: C09
FEUILLE No: C09 DE C16	

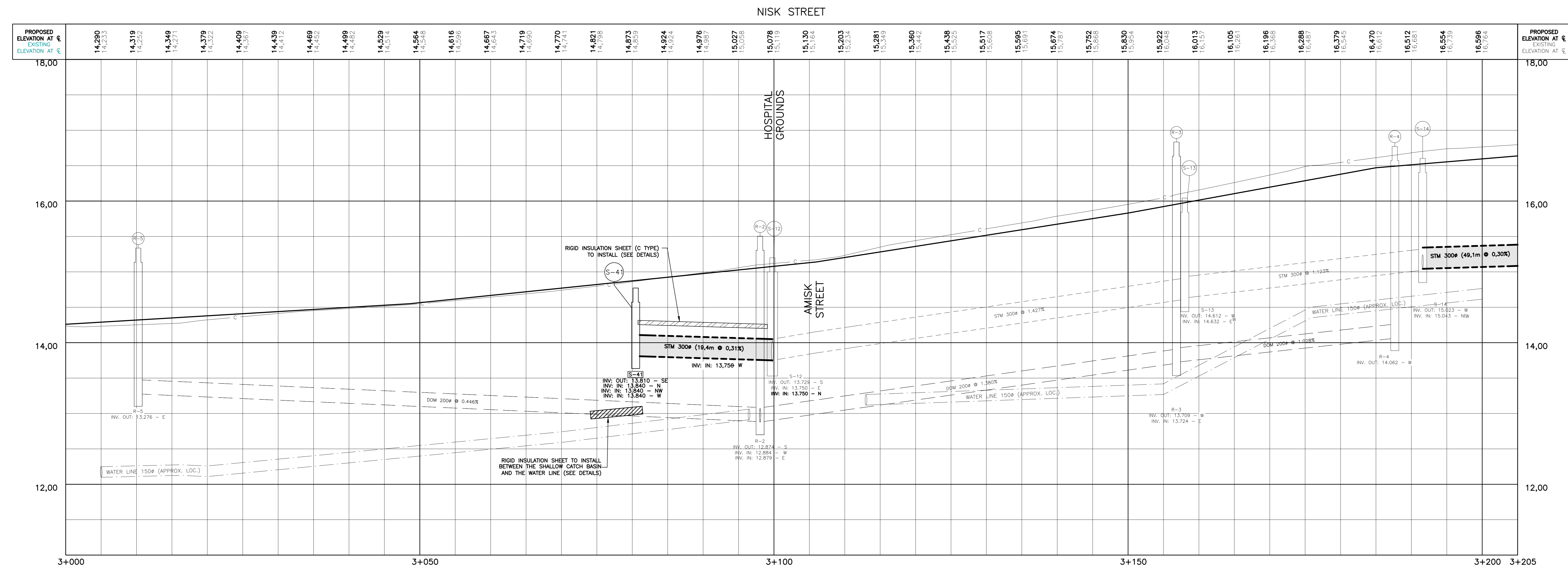
NOTE OF CAUTION
 A 2000 PVC DR35 PIPE WILL BE USED TO CONNECT EACH CATCH BASIN TO THE STORM SEWER SYSTEM



LEGEND

EXISTING	PROPOSED	DESCRIPTION
⊙	⊙	SURVEY MARK
—	—	LOT LINE
—	—	BUILDING
—	—	TOP OF SLOPE
—	—	BOTTOM OF SLOPE
—	—	WOODED BOUNDARY
—	—	FENCE
—	—	HEGGE
—	—	COUNTOUR LINE
—	—	WATER LINE (plan)
—	—	WATER LINE (profile)
—	—	FIRE HYDRANT
—	—	VALVE
—	—	SERVICE CONNECTION
—	—	DITCH (plan)
—	—	STORM SEWER LINE (plan)
—	—	DOMESTIC SEWER LINE (plan)
—	—	STORM SEWER LINE (profile)
—	—	DOMESTIC SEWER LINE (profile)
—	—	STORM MANHOLE
—	—	CATCHBASIN
—	—	LEFT SIDE (profile)
—	—	CENTER LINE
—	—	RIGHT SIDE (profile)
—	—	GRAVEL SHOULDER
—	—	CURB
—	—	SIDEWALK
—	—	PARKING
—	—	SAFETY BARRIER
—	—	RETAINING WALL
—	—	RAILROAD
—	—	LAMP POST
—	—	UNDERGROUND TELEPHONE NETWORK
—	—	OVERHEAD TELEPHONE NETWORK
—	—	UNDERGROUND CABLE NETWORK
—	—	OVERHEAD CABLE NETWORK
—	—	TELEPHONE POST
—	—	ELECTRIC POST
—	—	COMMUNICATION MANHOLE
—	—	UNDERGROUND ELECTRIC NETWORK
—	—	OVERHEAD ELECTRIC NETWORK
—	—	ELECTRIC MANHOLE
—	—	GAS LINE
—	—	UNDERGROUND LIGHTING NETWORK
—	—	OVERHEAD LIGHTING NETWORK

THIS PLAN SHOULD BE USED FOR CONSTRUCTION ONLY IF IT IS SIGNED AND SEALED BY AN ENGINEER AND THE NOTICE TO CONSTRUCTION* APPEAR IN THE REVISION LIST



No.	Date	FOR LIST OF MATERIAL	Y.D.
01	2019/03/01		

SCEAUX:

CONCÉPAR	VERGÉ PAR

INGÉNIEUR:

CIM+ OHEBMA
 1 818 632 2373 F 418 623 3211
 300-145, rue Lacombe/Parc, Québec, QC G2K 3H8 CANADA

CLIENT:

WHAPMAGOOSTUI FIRST NATION

PROJET:
STORM DRAINAGE CONSTRUCTION AND SANITARY SEWER REPLACEMENT

TITRE DU DESSIN:
NISK STREET
3+000 @ 3+200

DISCIPLINE:
INFRASTRUCTURE

DESSINE PAR:	RAPPORT:
F.Ampleman	1:250
CONCÉPAR:	DATE:
Y.Durand eng	2019/03/01
VERGÉ PAR:	VERGÉ PAR:
Y.Durand eng	Y.Durand eng

PROJET No: Q182489A
 FEUILLE No: C10 DE C16

DESSIN No: C10

NOTE OF CAUTION
A 2000 PVC DR35 PIPE WILL BE USED TO CONNECT EACH CATCH BASIN TO THE STORM SEWER SYSTEM

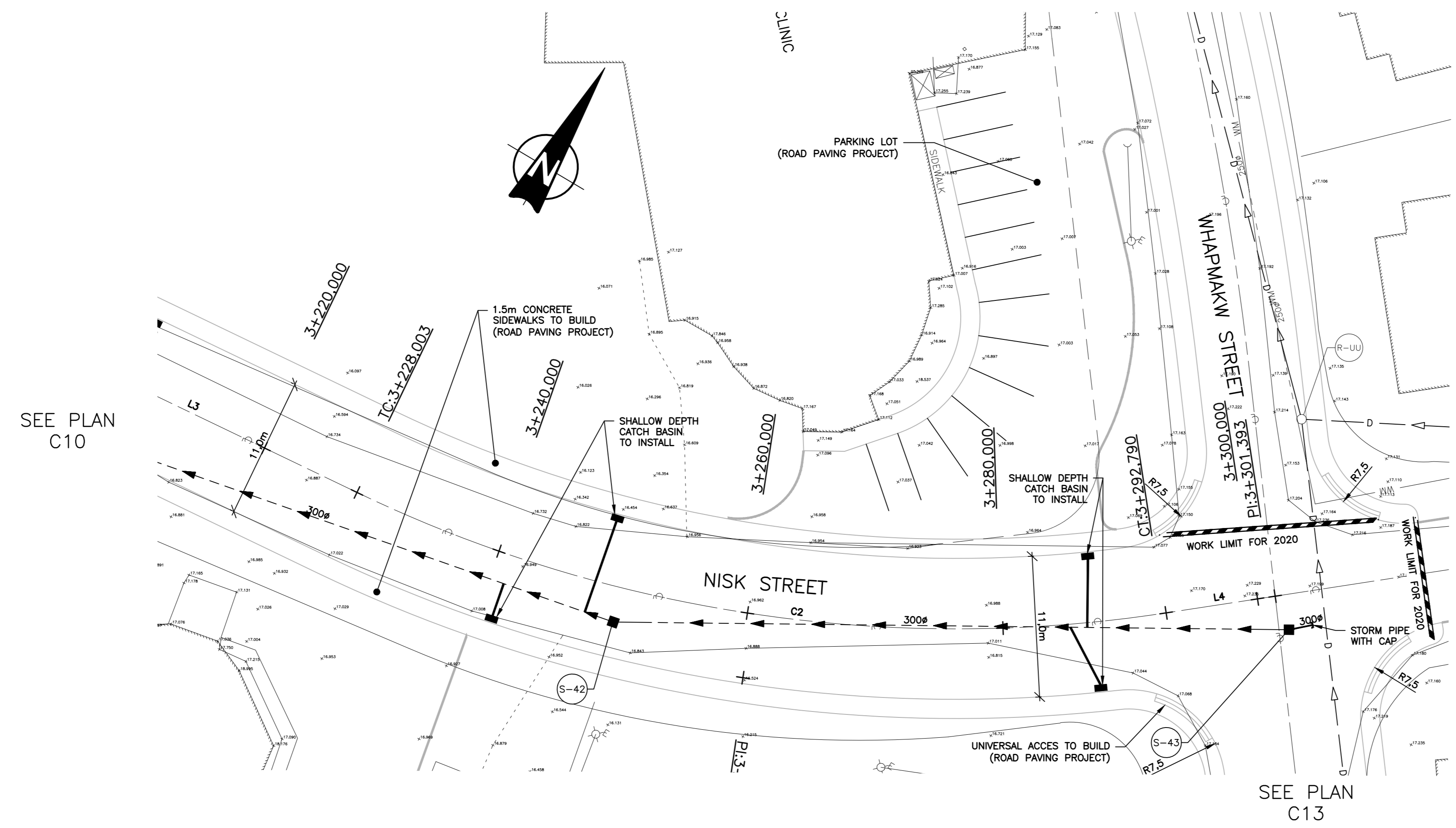
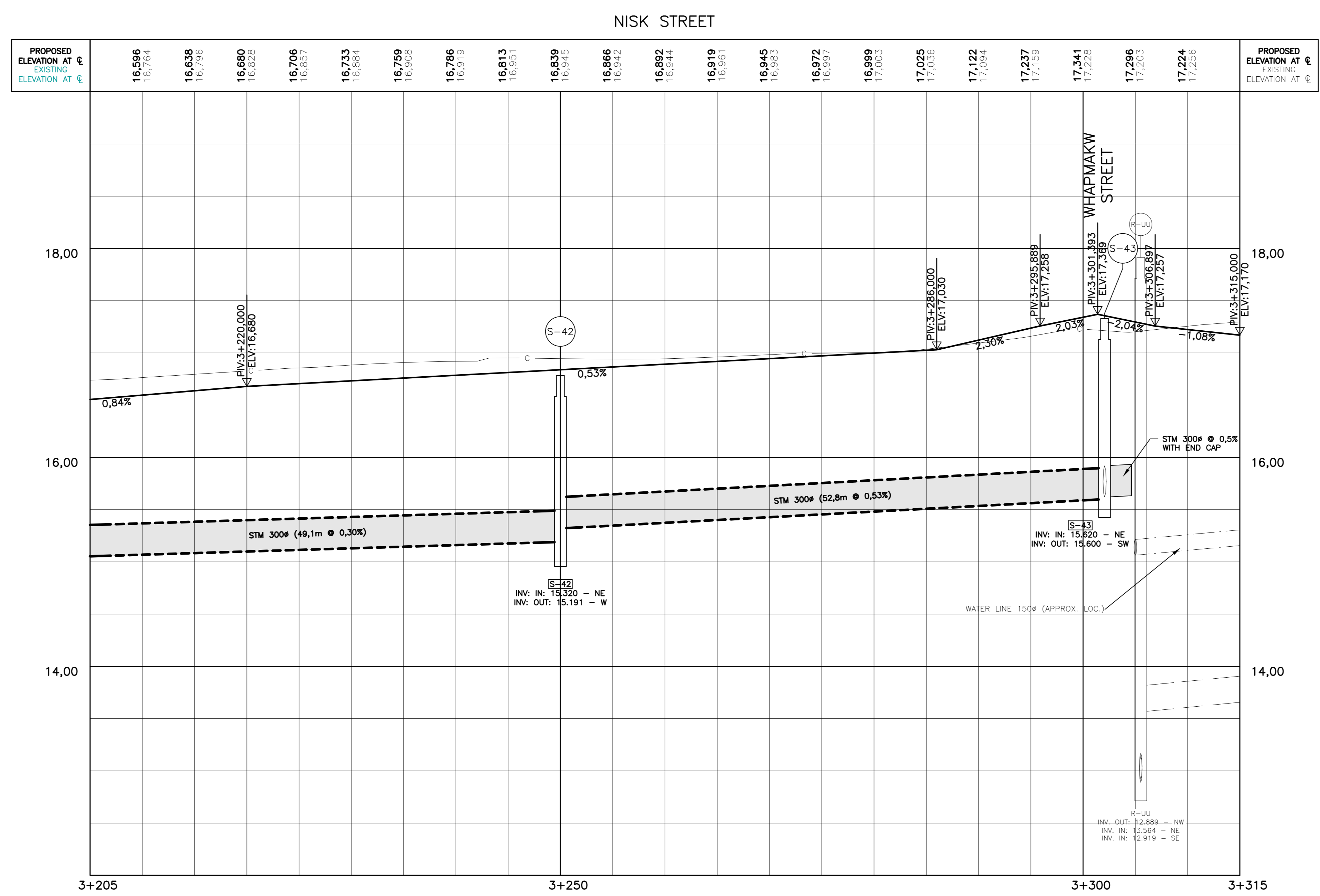


TABLEAU DE L'AXE = NISK STREET

No.	LONGUEUR	RAYON	DIRECTION LIGNE/CORDE	CORDE	A	PI/TANGENTE	COORDONNÉE DÉPART X	COORDONNÉE DÉPART Y	CHAÎNAGE DÉPART	COORDONNÉE FIN X	COORDONNÉE FIN Y	CHAÎNAGE FIN
L3	28,846		N84° 53' 03.66"E	63,820	34°22'14"	L	324727,747	6129093,718	3+199,157	324796,477	6129096,290	3+228,003
C2	64,787	108,000	N67° 41' 56.52"E			PI	324789,746	6129099,268	PI	3+261,404		3+261,404
L4	8,603		N50° 30' 49.37"E			L	324815,524	6129120,508	3+292,790	324822,163	6129125,978	3+301,393



LEGEND

EXISTING	PROPOSED	
		SURVEY MARK
		LOT LINE
		BUILDING
		TOP OF SLOPE
		BOTTOM OF SLOPE
		WOODED BOUNDARY
		FENCE
		HEDGE
		COUNTOUR LINE
		WATER LINE (plan)
		WATER LINE (profile)
		FIRE HYDRANT
		VALVE
		SERVICE CONNECTION
		DITCH (plan)
		STORM SEWER LINE (plan)
		DOMESTIC SEWER LINE (plan)
		STORM SEWER LINE (profile)
		DOMESTIC SEWER LINE (profile)
		STORM MANHOLE
		CATCHBASIN
		LEFT SIDE (profile)
		CENTER LINE
		RIGHT SIDE (profile)
		GRAVEL SHOULDER
		CURB
		SIDEWALK
		PAVING
		SAFETY BARRIER
		RETAINING WALL
		PARKING
		LAMP POST
		UNDERGROUND TELEPHONE NETWORK
		OVERHEAD TELEPHONE NETWORK
		UNDERGROUND CABLE NETWORK
		OVERHEAD CABLE NETWORK
		TELEPHONE POST
		ELECTRIC POST
		COMMUNICATION MANHOLE
		UNDERGROUD ELECTRIC NETWORK
		OVERHEAD ELECTRIC NETWORK
		ELECTRIC MANHOLE
		GAS LINE
		UNDERGROUD LIGHTING NETWORK
		OVERHEAD LIGHTING NETWORK

THIS PLAN SHOULD BE USED FOR CONSTRUCTION ONLY IF IT IS SIGNED AND SEALED BY AN ENGINEER AND THE NOTICE TO CONSTRUCTION* APPEAR IN THE REVISION LIST

01	20190301	FOR LIST OF MATERIAL	Y.D.
No.	Date	Description	Per

SCHEMAS :

CONÇU PAR	VÉRIFIÉ PAR

CIM+ GÉNÉRALISTE
1 418-623-2272 F 1 418-623-2521
300-1143, rue Lacombe, Québec, QC G2K 2N9 CANADA

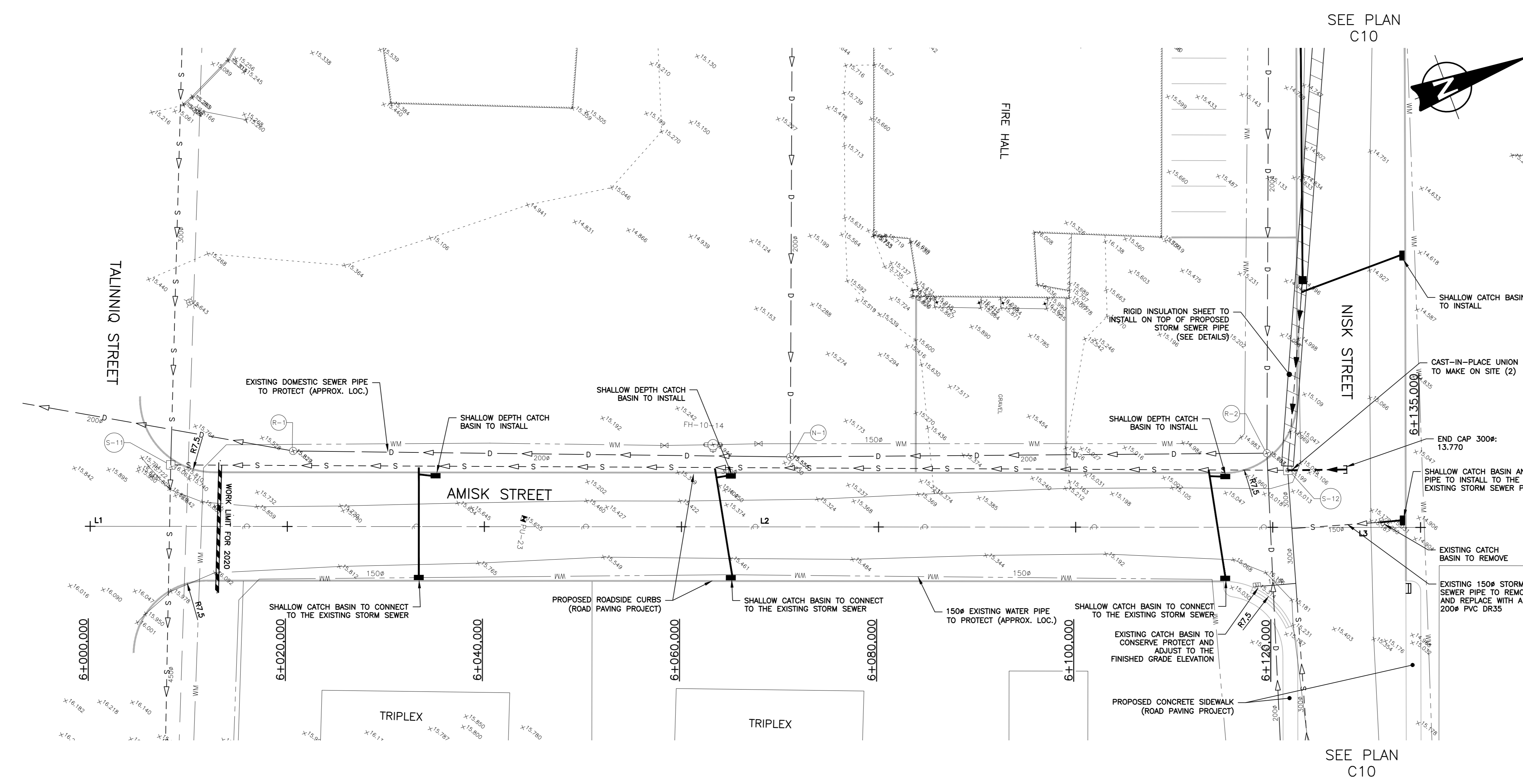
CLIENT : WHAPMAGOOSTUI FIRST NATION

PROJET : STORM DRAINAGE CONSTRUCTION AND SANITARY SEWER REPLACEMENT

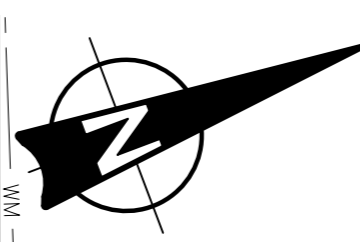
TITRE DU DESSIN : NISK STREET
3+205 @ 3+315

DISCIPLINE : INFRASTRUCTURE

DESSINE PAR	RAPPORT
F.Ampleman	1:250
CONÇU PAR	DATE
Y.Durand eng	20190301
REVISÉ PAR	REVISÉ PAR
Y.Durand eng	Y.Durand eng
PROJET No.	DESSIN No.
Q162489A	
FEUILLE No.	C11 DE C16
	C11



SEE PLAN C10



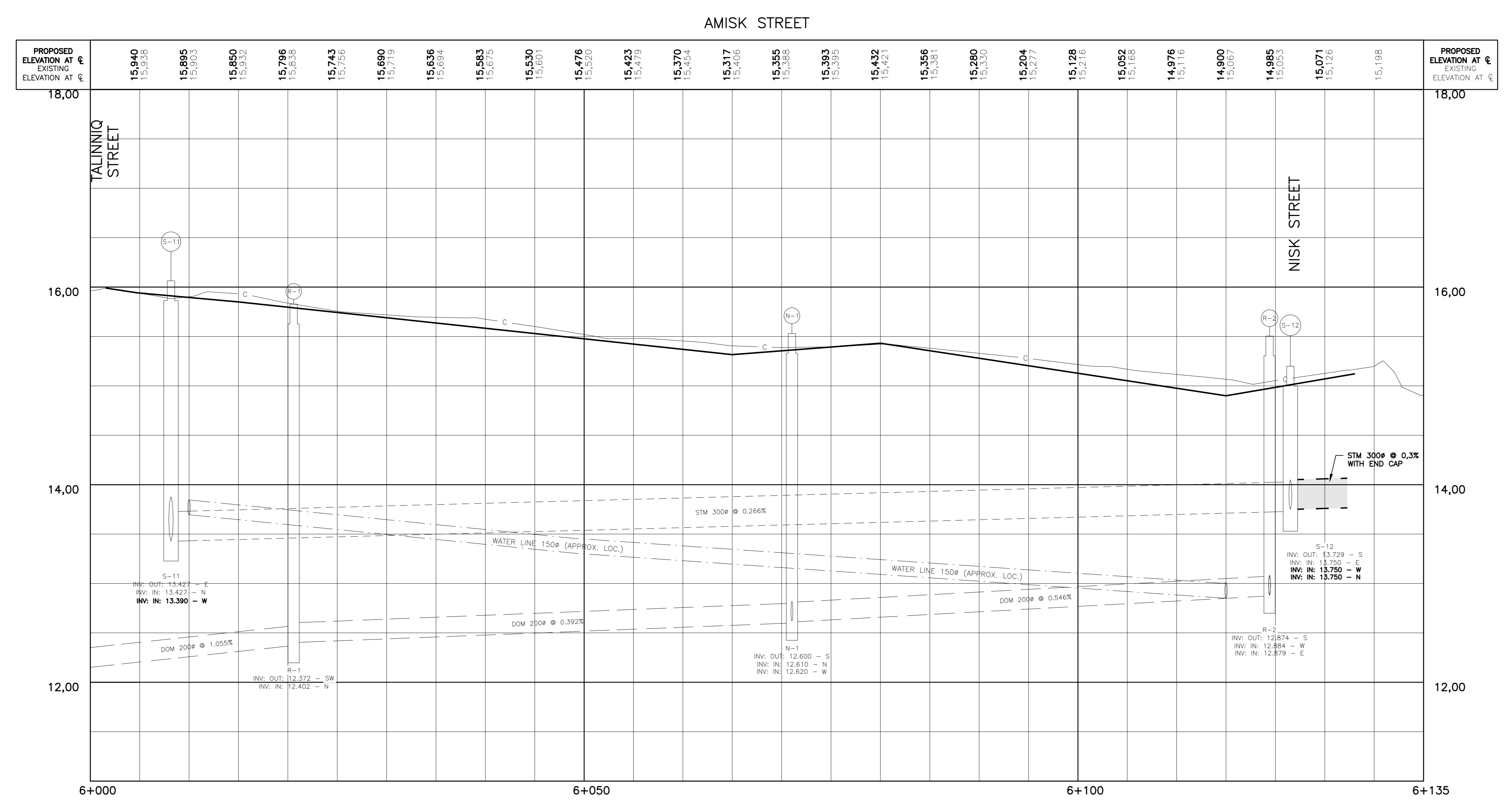
NOTE OF CAUTION

A 200Ø PVC DR35 PIPE WILL BE USED TO CONNECT EACH CATCH BASIN TO THE STORM SEWER SYSTEM

LEGEND

EXISTING	PROPOSED	
		SURVEY MARK
		LOT LINE
		BUILDING
		TOP OF SLOPE
		BOTTOM OF SLOPE
		WOODED BOUNDARY
		FENCE
		HEDGE
		COUNTOUR LINE
		WATER LINE (plan)
		WATER LINE (profile)
		FIRE HYDRANT
		VALVE
		SERVICE CONNECTION
		DITCH (plan)
		STORM SEWER LINE (plan)
		DOMESTIC SEWER LINE (plan)
		STORM SEWER LINE (profile)
		DOMESTIC SEWER LINE (profile)
		STORM MANHOLE
		CATCHBASIN
		LEFT SIDE (profile)
		CENTER LINE
		RIGHT SIDE (profile)
		GRAVEL SHOULDER
		CURB
		SIDEWALK
		PAVING
		SAFETY BARRIER
		RETAINING WALL
		RAILROAD
		LAMP POST
		UNDERGROUND TELEPHONE NETWORK
		OVERHEAD TELEPHONE NETWORK
		UNDERGROUND CABLE NETWORK
		OVERHEAD CABLE NETWORK
		TELEPHONE POST
		ELECTRIC POST
		COMMUNICATION MANHOLE
		UNDERGROUND ELECTRIC NETWORK
		OVERHEAD ELECTRIC NETWORK
		ELECTRIC MANHOLE
		GAS LINE
		UNDERGROUND LIGHTING NETWORK
		OVERHEAD LIGHTING NETWORK

THIS PLAN SHOULD BE USED FOR CONSTRUCTION ONLY IF IT IS SIGNED AND SEALED BY AN ENGINEER AND THE NOTICE TO CONSTRUCTION APPEAR IN THE REVISION LIST



No.	Date	FOR LIST OF MATERIAL	Description	Per
01	2019-03-31			Y.D.

CLIENT: WHAPMAGOOSTUI FIRST NATION

PROJET: STORM DRAINAGE CONSTRUCTION AND SANITARY SEWER REPLACEMENT

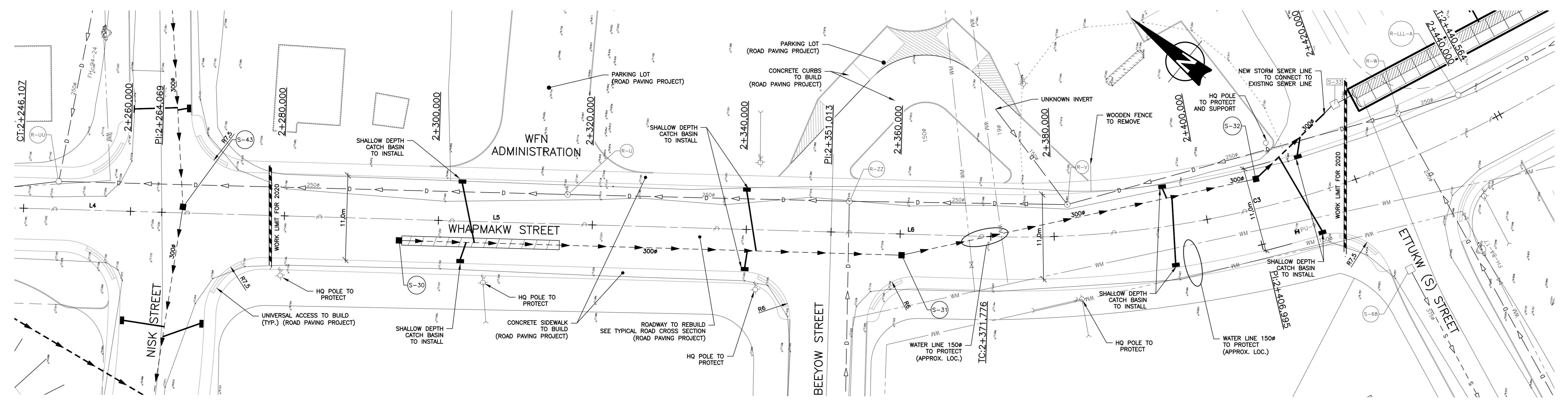
TITRE DU DESSIN: AMISK STREET
6+000 @ 6+135

DISCIPLINE: INFRASTRUCTURE

DESSINE PAR:	RAPPORT:
F.Ampleman	1:250
CONÇU PAR:	DATE:
Y.Durand eng	20190330
REVISÉ PAR:	REVISÉ PAR:
Y.Durand eng	Y.Durand eng

PROJET No: 0182489A DESSIN No: C12
 FEUILLE No: C12 DE C13

NOTE OF CAUTION
 A 2000 PVC DR35 PIPE WILL BE USED TO CONNECT
 EACH CATCH BASIN TO THE STORM SEWER SYSTEM

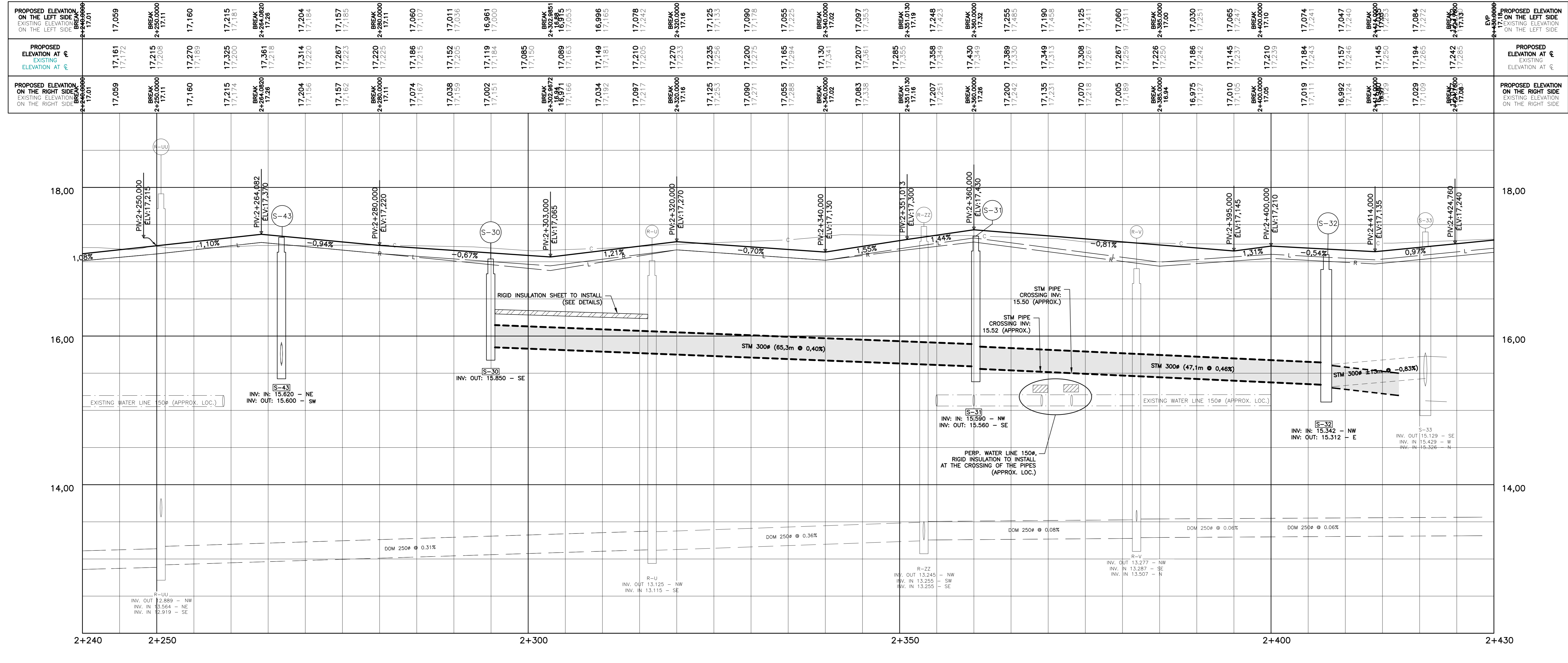


SEE PLAN C11

TABLEAU DE L'AXE = WHAPMAKW STREET

No.	LONGUEUR	RAYON	DIRECTION LIGNE/CORDE	CORDE	Δ	PI/TANGENTE	COORDONNÉE DÉPART X	COORDONNÉE DÉPART Y	CHAÎNAGE DÉPART	COORDONNÉE FIN X	COORDONNÉE FIN Y	CHAÎNAGE FIN
L4	17,961		S37° 16' 21.20"E			L	324811,286	6129140,271	2+246,107	324822,163	6129125,978	2+264,069
L5	86,944		S37° 16' 21.20"E			L	324822,163	6129125,978	2+264,069	324874,818	6129056,791	2+351,013
L6	20,763		S37° 16' 21.20"E			L	324874,818	6129056,791	2+351,013	324887,392	6129040,269	2+371,776

WHAPMAKW STREET



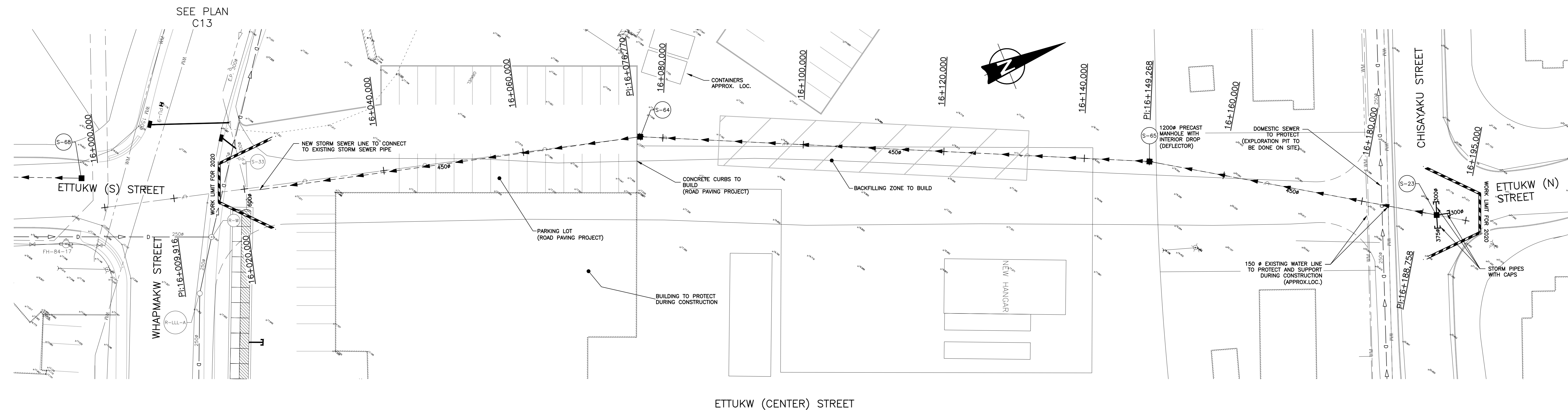
LEGEND

EXISTING	PROPOSED	DESCRIPTION
▲	▲	SURVEY MARK
—	—	BENCHMARK
—	—	LOT LINE
		BUILDING
		TOP OF SLOPE
		BOTTOM OF SLOPE
		WOODED BOUNDARY
—	—	FENCE
—	—	HEDGE
—	—	COUNTOUR LINE
—	—	WATER LINE (plan)
—	—	WATER LINE (profile)
—	—	FIRE HYDRANT VALVE
—	—	SERVICE CONNECTION
—	—	DITCH (plan)
—	—	STORM SEWER LINE (plan)
—	—	DOMESTIC SEWER LINE (plan)
—	—	STORM SEWER LINE (profile)
—	—	DOMESTIC SEWER LINE (profile)
—	—	STORM MANHOLE
—	—	CATCH BASIN
—	—	LEFT SIDE (profile)
—	—	CENTER LINE
—	—	RIGHT SIDE (profile)
—	—	GRAVEL SHOULDER
—	—	CURB
—	—	SIDEWALK
—	—	PARKING
—	—	SAFETY BARRIER
—	—	RETAINING WALL
—	—	RAILROAD
—	—	LAMP POST
—	—	UNDERGROUND TELEPHONE NETWORK
—	—	OVERHEAD TELEPHONE NETWORK
—	—	UNDERGROUND CABLE NETWORK
—	—	OVERHEAD TELEPHONE NETWORK
—	—	TELEPHONE POST
—	—	ELECTRIC POST
—	—	COMMUNICATION MANHOLE
—	—	UNDERGROUND ELECTRIC NETWORK
—	—	OVERHEAD ELECTRIC NETWORK
—	—	ELECTRIC MANHOLE
—	—	GAS LINE
—	—	UNDERGROUND LIGHTING NETWORK
—	—	OVERHEAD LIGHTING NETWORK

THIS PLAN SHOULD BE USE FOR CONSTRUCTION ONLY IF IS SIGNED AND SEALED BY AN ENGINEER AND THE NOTICE FOR CONSTRUCTION* APPEAR IN THE REVISION LIST

<p>61 20190301 FOR LIST OF MATERIAL Y.D.</p>			
No.	Date	Description	Par
SCEAUX:			
CONÇU PAR VERFÉ PAR			
 OVERSEA 1 818 623-2171 F 418 623-3521 300-144, rue Lacombe, Québec, QC G2K 2N6 CANADA			
CLIENT:			
 WHAPMAGOOSTUI FIRST NATION			
PROJET:			
STORM DRAINAGE CONSTRUCTION AND SANITARY SEWER REPLACEMENT			
TITRE DU DESSIN:			
WHAPMAKW STREET 2+240 @ 2+430			
DISCIPLINE:			
INFRASTRUCTURE			
DESSINE PAR:		RAPPORT:	
F.Ampleman		1:250	
CONÇU PAR:		DATE:	
Y.Durand eng		20190301	
CORRIGÉ PAR:		DESSINÉ PAR:	
Y.Durand eng		Y.Durand eng	
PROJET No:		DESSIN No:	
0182489A		C13	
FEUILLE No:		C13 DE C16	

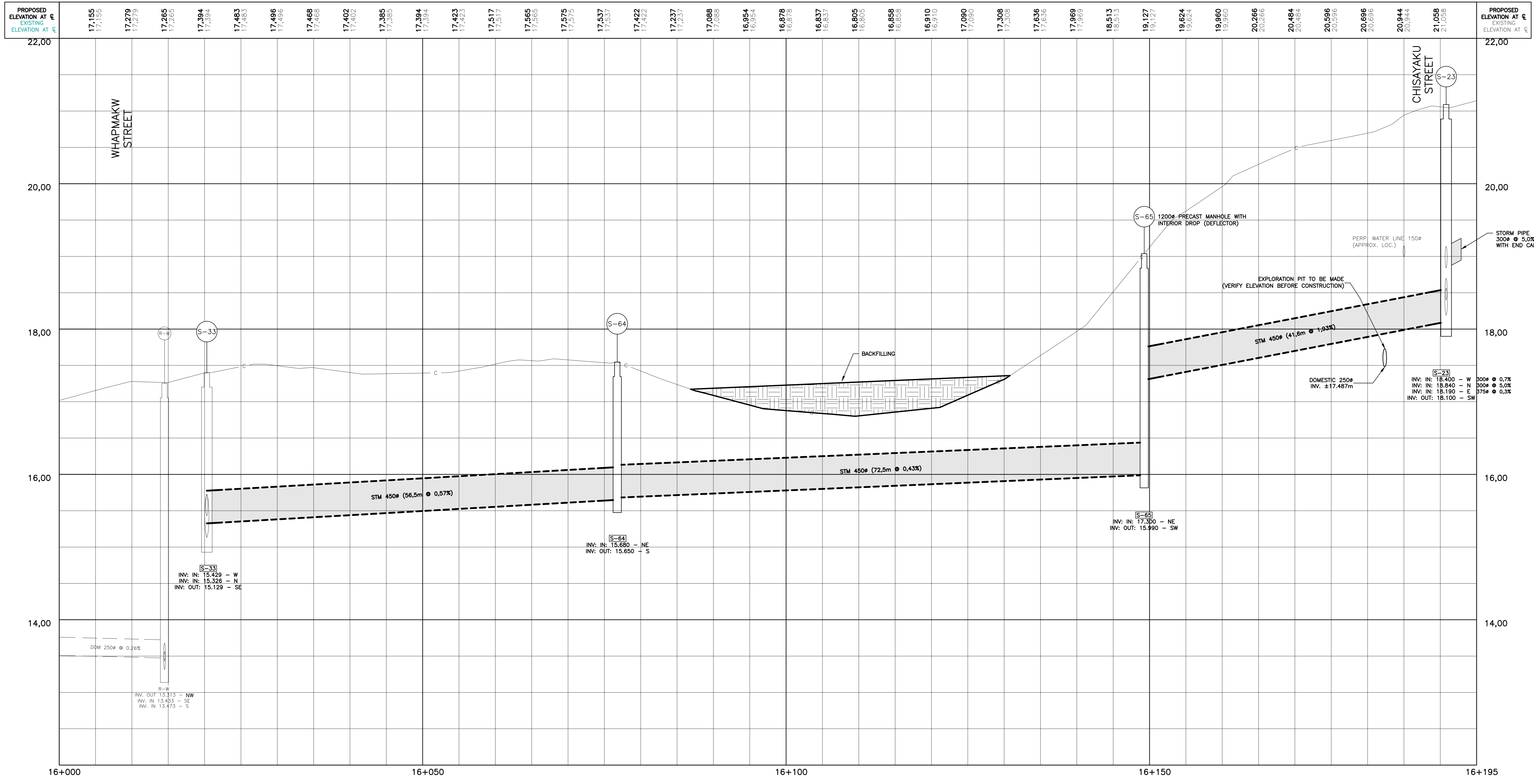
DATE: 2019/03/01 20:00:00; FILE: C:\Users\y.durand\OneDrive - CIMA\Documents\2019\03\01\20190301_012489A_C14 - Infra\eng\PRESENTATION_C14.dwg; PROJECT: 20190301_012489A_C14 - Infra\eng\PRESENTATION_C14; CLIENT: WHAPMAGOOSTUI FIRST NATION; PROJECT: STORM DRAINAGE CONSTRUCTION AND SANITARY SEWER REPLACEMENT; TITRE DU DESSIN: ETTUKW STREET 16+000 @ 16+195; DISCIPLINE: INFRASTRUCTURE; DESSINE PAR: F.Ampleman; RAPPORT: 1:250; CONÇU PAR: Y.Durand eng; DATE: 2019/03/01; CORRIGE PAR: Y.Durand eng; PROJET No.: 012489A; FEUILLE No.: C14 DE C16



NOTE OF CAUTION
 A 2000 PVC DR35 PIPE WILL BE USED TO CONNECT EACH CATCH BASIN TO THE STORM SEWER SYSTEM

LEGEND	
EXISTING	PROPOSED

THIS PLAN SHOULD BE USED FOR CONSTRUCTION ONLY IF IT IS SIGNED AND SEALED BY AN ENGINEER AND THE NOTICE TO CONSTRUCTION* APPEAR IN THE REVISION LIST



No.	Date	FOR LIST OF MATERIAL	Description	Y.D.	Per
01	2019/03/01				

CONÇU PAR: Y.DURAND ENG
 VÉRIFIÉ PAR: Y.DURAND ENG

CIMA+
 1 818-823-2373 F 1 818-823-2321
 300-1143, rue Lacombe, Québec, QC G2K 2N9 CANADA

CLIENT: WHAPMAGOOSTUI FIRST NATION

PROJET: STORM DRAINAGE CONSTRUCTION AND SANITARY SEWER REPLACEMENT

TITRE DU DESSIN: ETTUKW STREET 16+000 @ 16+195

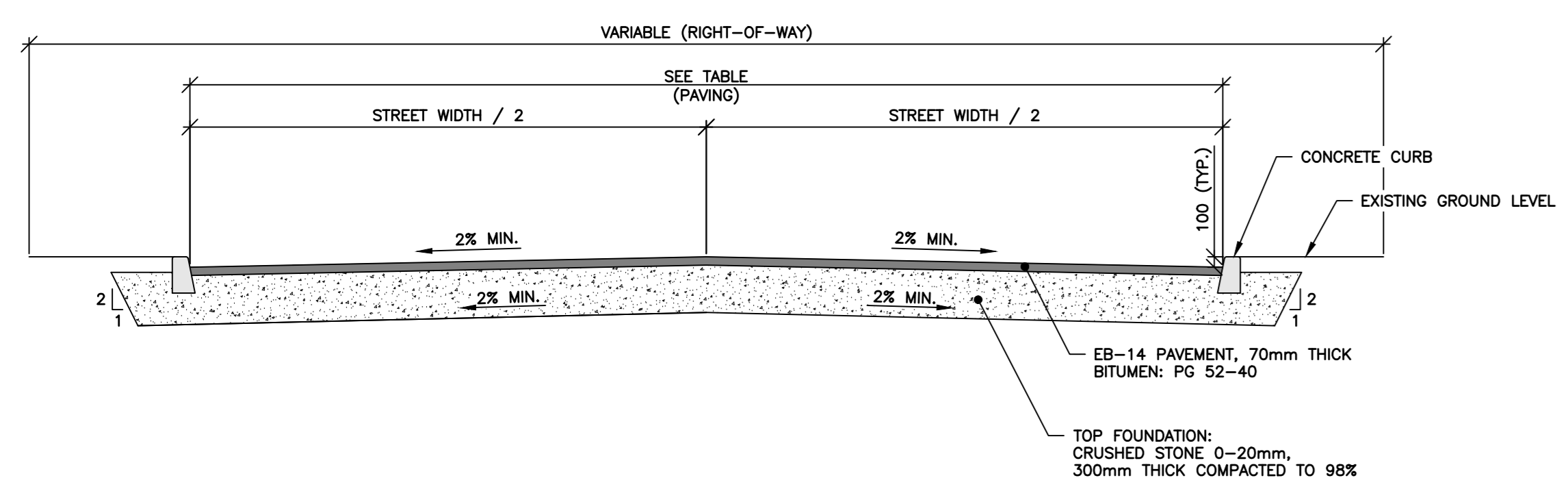
DISCIPLINE: INFRASTRUCTURE

DESSINE PAR: F.Ampleman	RAPPORT: 1:250
CONÇU PAR: Y.Durand eng	DATE: 2019/03/01
APProuvé: Y.Durand eng	DESIGNER: Y.Durand eng

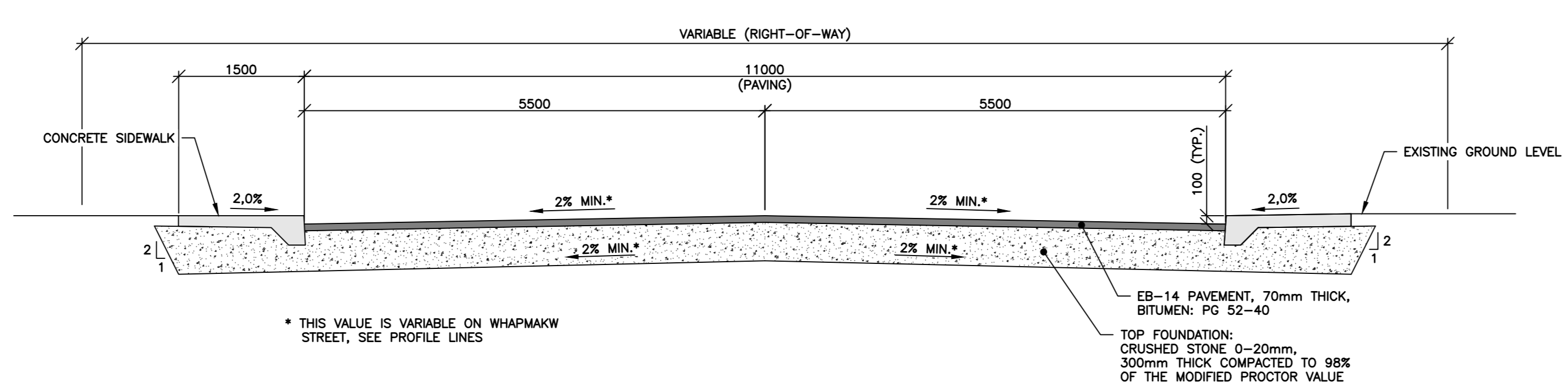
PROJET No.: 012489A
 FEUILLE No.: C14 DE C16

DESSIN No.: C14

CARTOUCHE ET MODÈLE NÉCESSAIRES À REMPLIR
 DATE D'IMPRESSION: 2019/03/01 14:16:00
 CHÉMIN: Z:\Cim\400\Projet\OUT\2019\03\01\20190301_151600\PRESEN\151600_016.dwg
 C:\Users\p\Documents\Autodesk\DWG\2019\03\01\20190301_151600_016.dwg
 INFRASTRUCTURE PROJECTS\WHAPMAGOUSTUI\WHAPMAGOUSTUI\PRESEN\151600_016.dwg
 DATE: 2019/03/01 14:16:00
 CHÉMIN: Z:\Cim\400\Projet\OUT\2019\03\01\20190301_151600_016.dwg



TYPICAL ROAD CROSS-SECTION WITH CURBS
 SCALE = NONE

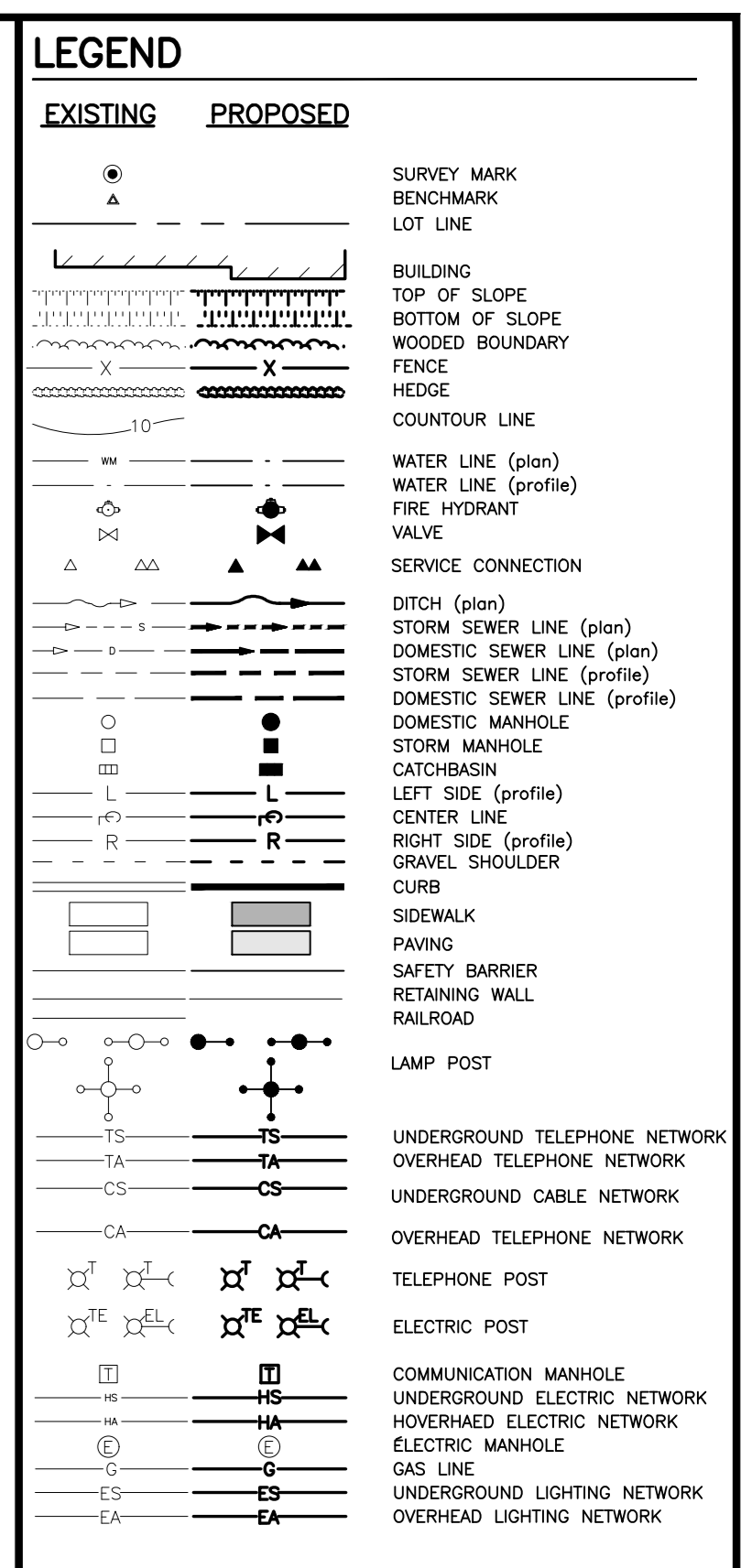


TYPICAL ROAD CROSS-SECTION WITH SIDEWALKS
 SCALE = NONE

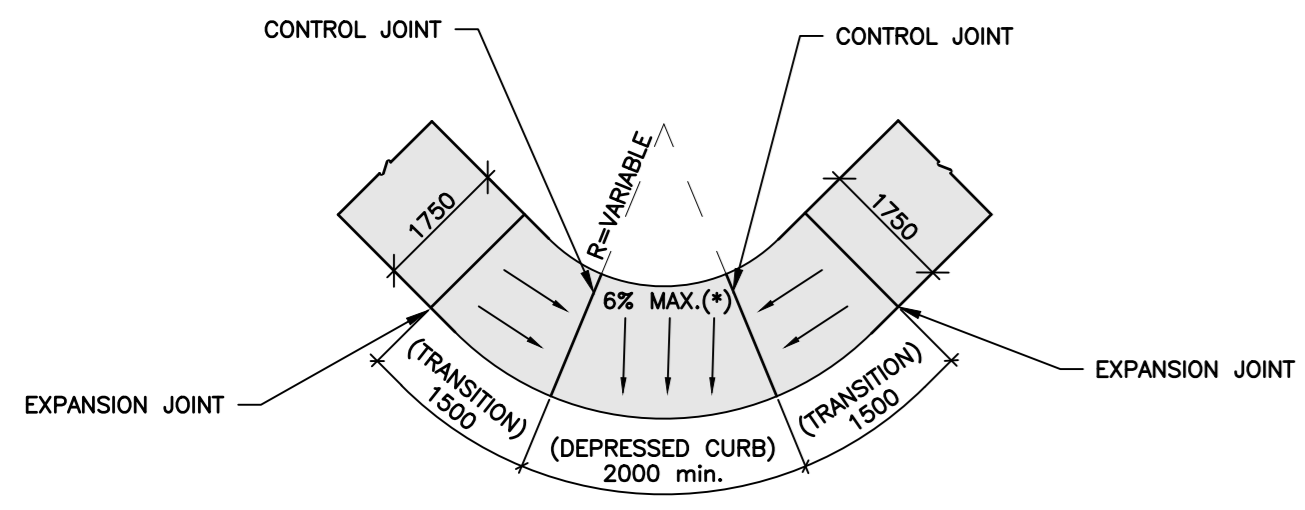
STREET	STREET WIDTH	CURBS	SIDEWALKS
WHAPMAKW STREET (2+000 @ 2+264)	8.0m		X
WHAPMAKW STREET (2+264 @ 2+940)	11.0m		X
NISK STREET (3+000 @ 3+111)	11.0m	X	
NISK STREET (3+111 @ 3+303)	11.0m		X
NISK STREET (3+303 @ 3+403)	8.0m	X	
BEEYOU STREET	10.0m	X	
WHAPSTAN STREET	10.0m	X	
ETUKW STREET (SOUTH)	10.0m	X	
GAKW STREET	10.0m	X	
EYOU STREET	8.0m	X	
WHICKSU STREET	8.0m	X	
CHISAYAKU STREET	8.0m	X	
ETUKW STREET (NORTH)	8.0m	X	
STREET "1"	8.0m	X	
BIPICHOW STREET	8.0m	X	
MEEHEKIN STREET	8.0m	X	
ENCHUKW STREET	11.0m	X	
AMSK STREET	11.0m	X	

ROADS SPECIFICATIONS TABLE

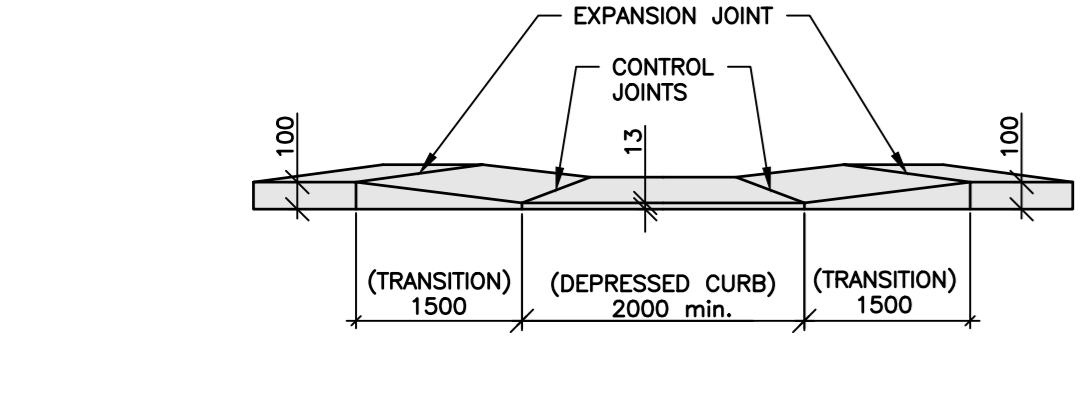
NOTE OF CAUTION
 A 2000 PVC DR35 PIPE WILL BE USED TO CONNECT EACH CATCH BASIN TO THE STORM SEWER SYSTEM



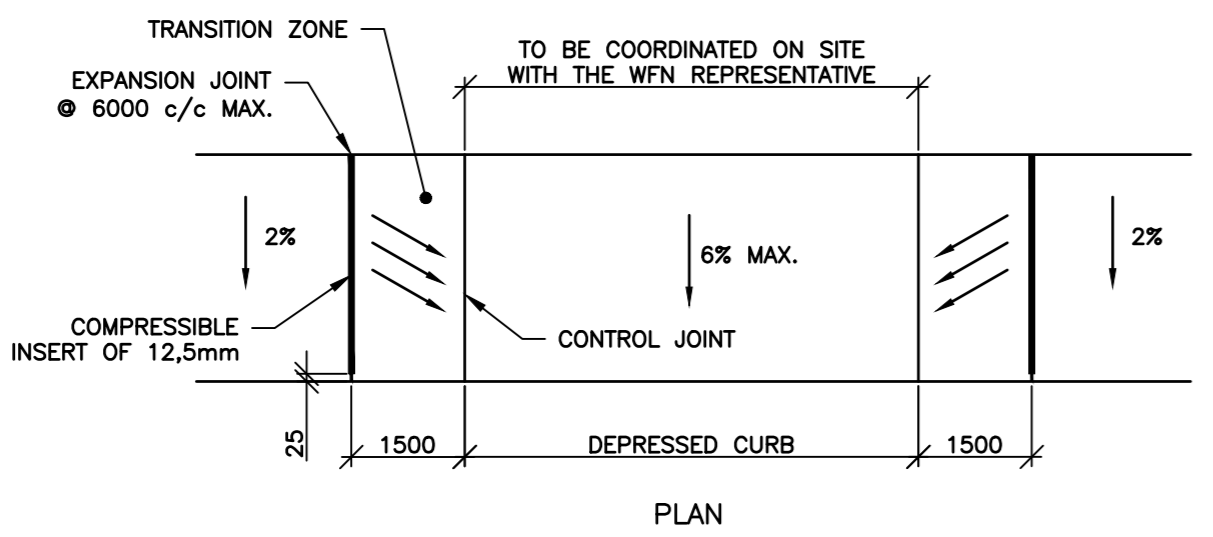
NOTES (*):
 IN THE DEPRESSED CURB, THE BACKSIDE OF THE SIDEWALK MUST BE LOWERED SO THAT THE TRANSVERSE SLOPE OF THE SIDEWALK IS SET AT 6% MAXIMUM.



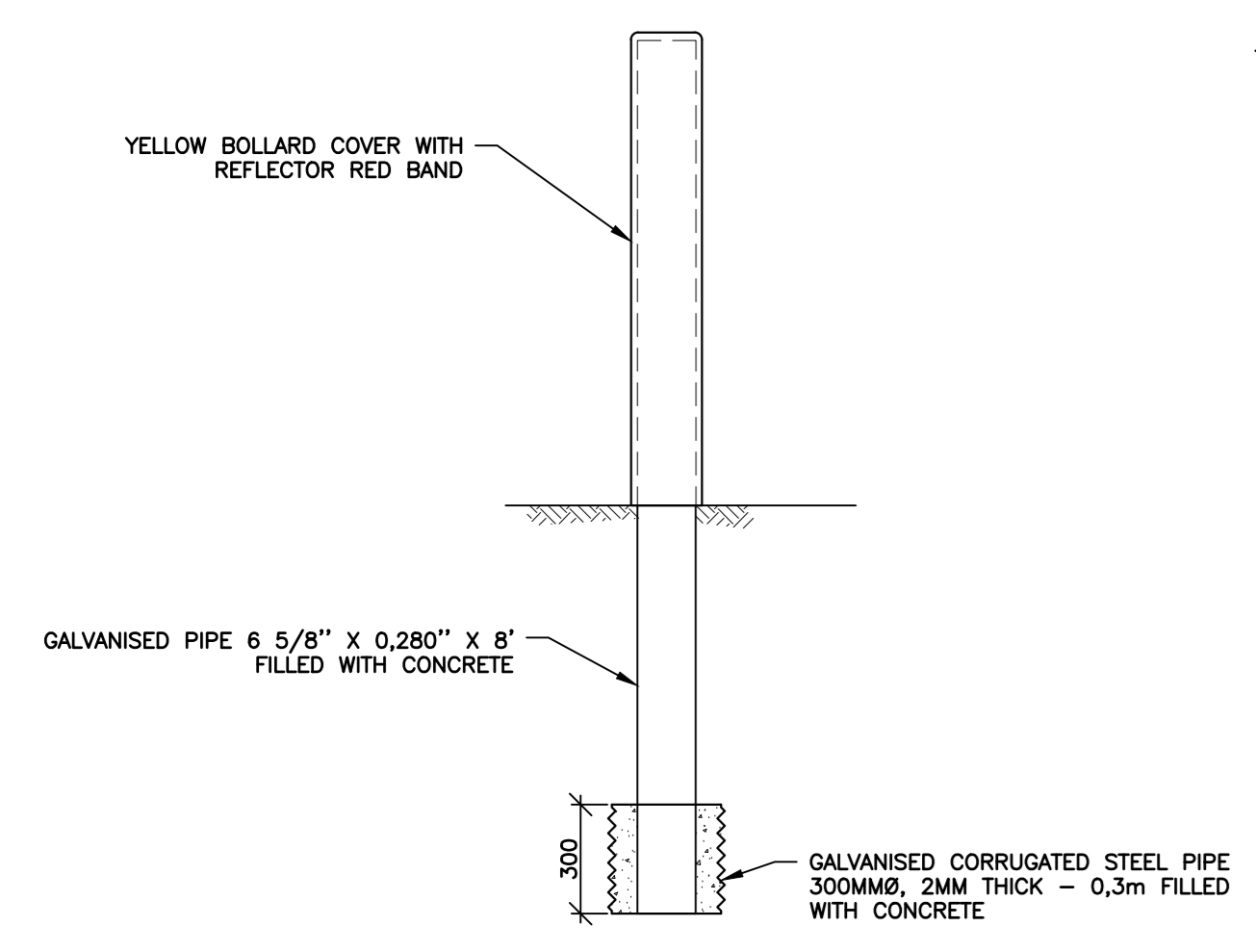
TYPICAL DETAIL - CONCRETE SIDEWALK SECTIONS
 SCALE = NONE



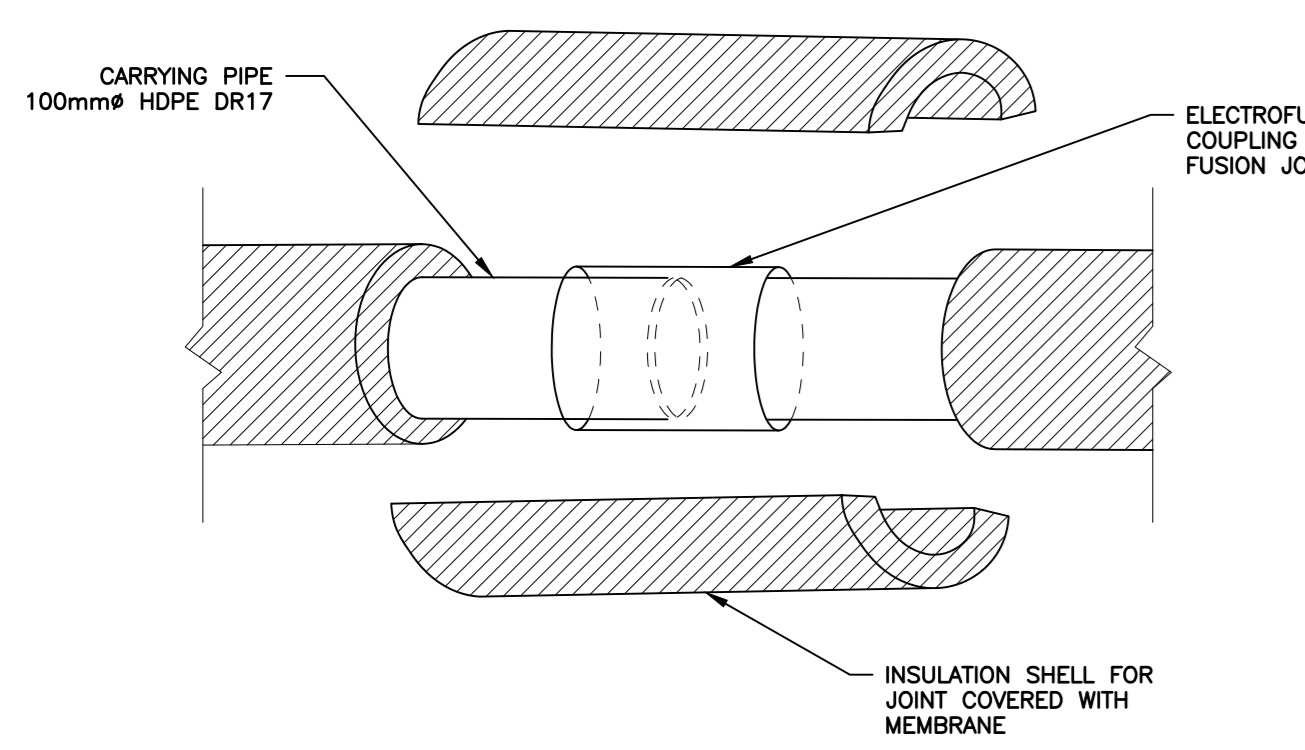
TYPICAL DETAIL - UNIVERSAL ACCESS WITHIN A RADIUS
 SCALE = NONE



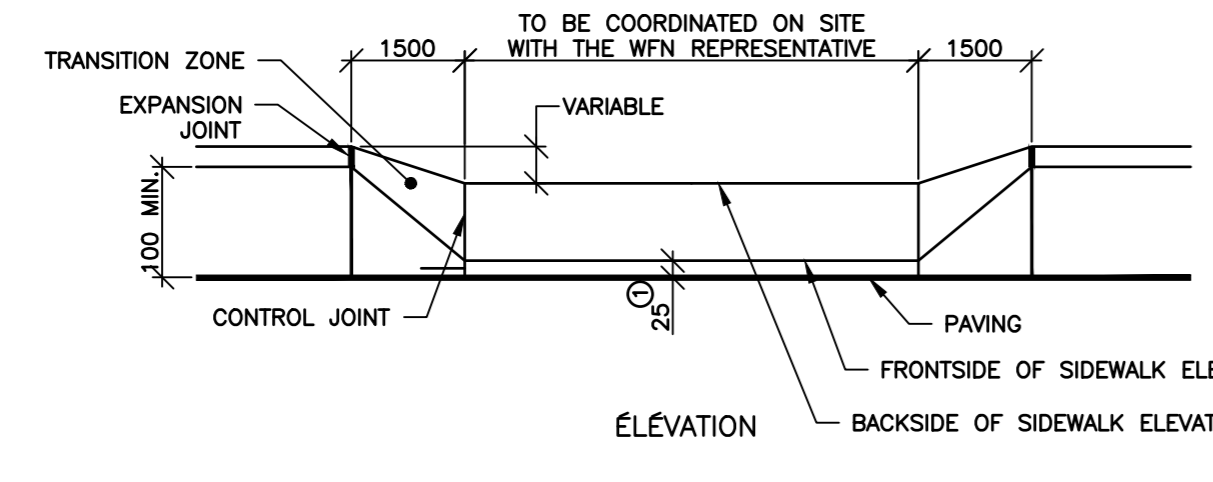
TYPICAL DETAIL - DRIVEWAY AND UNIVERSAL ACCESS
 SCALE = NONE



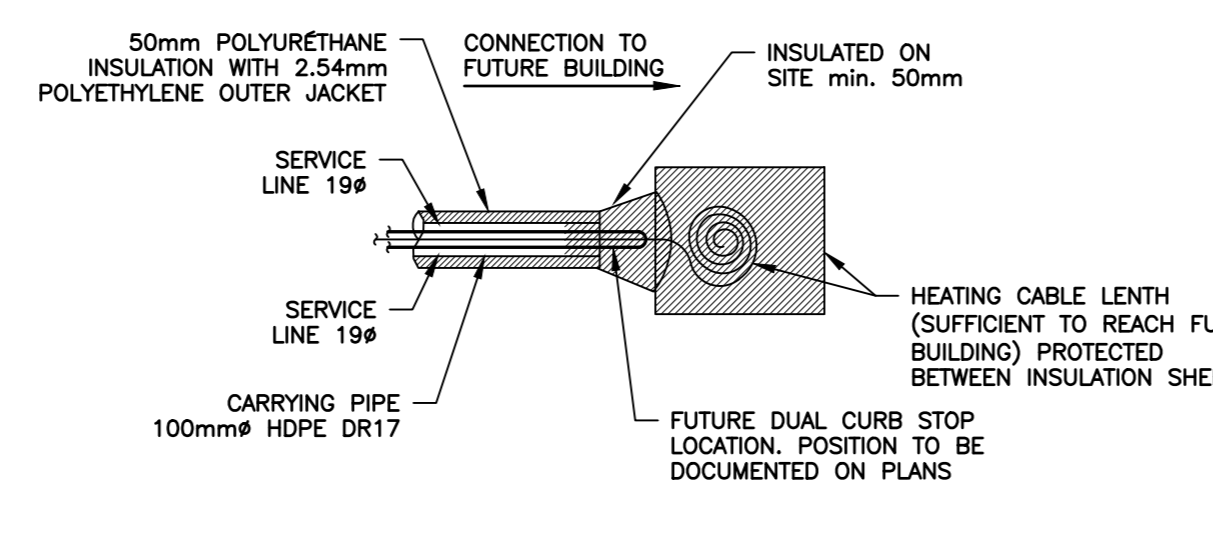
TYPICAL DETAIL - BOLLARD
 SCALE = NONE



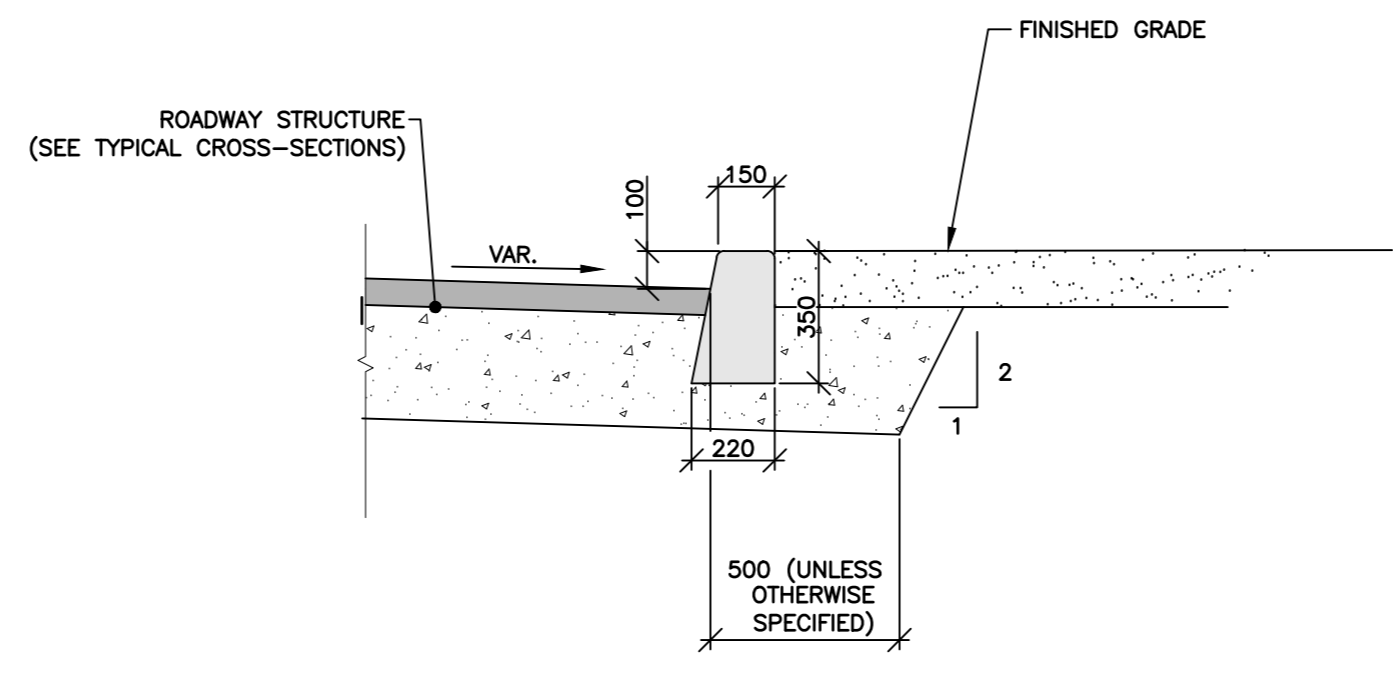
TYPICAL DETAIL - SERVICE LINE CARRYING PIPE JOINT
 SCALE = NONE



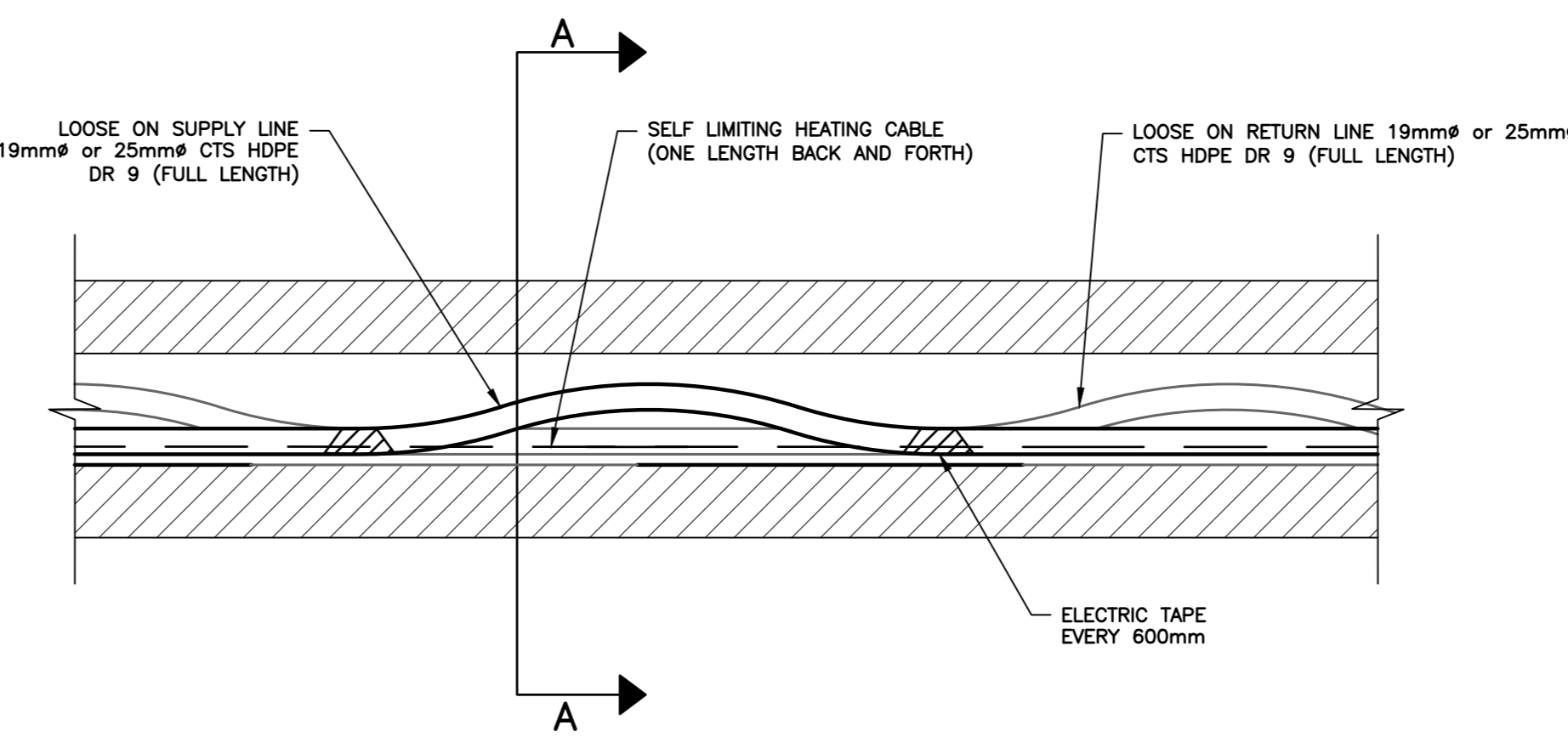
TYPICAL DETAIL - SERVICE LINE FOR BUILDING
 SCALE = NONE



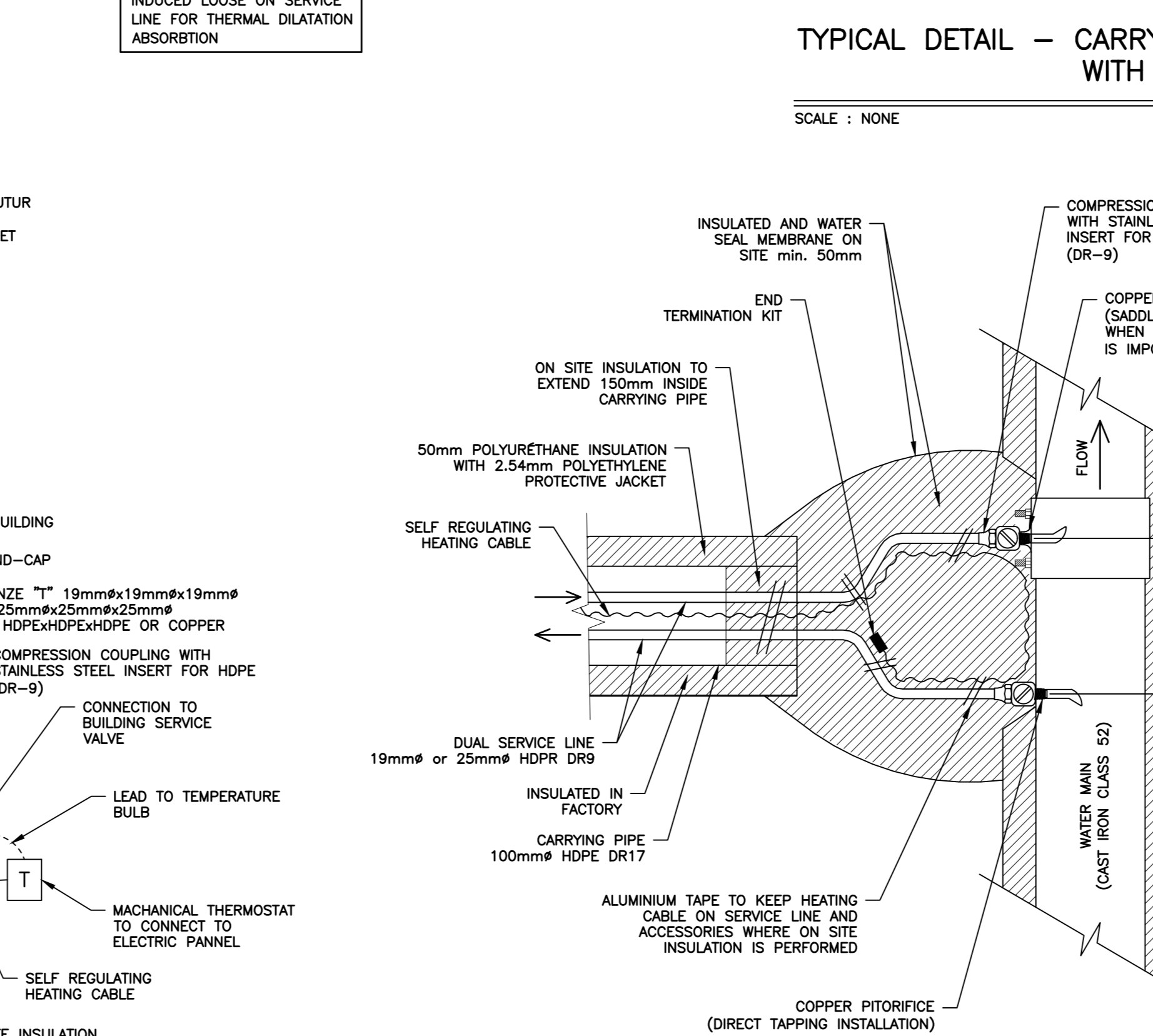
TYPICAL DETAIL - SERVICE CONNECTION VACANT LOT
 SCALE = NONE



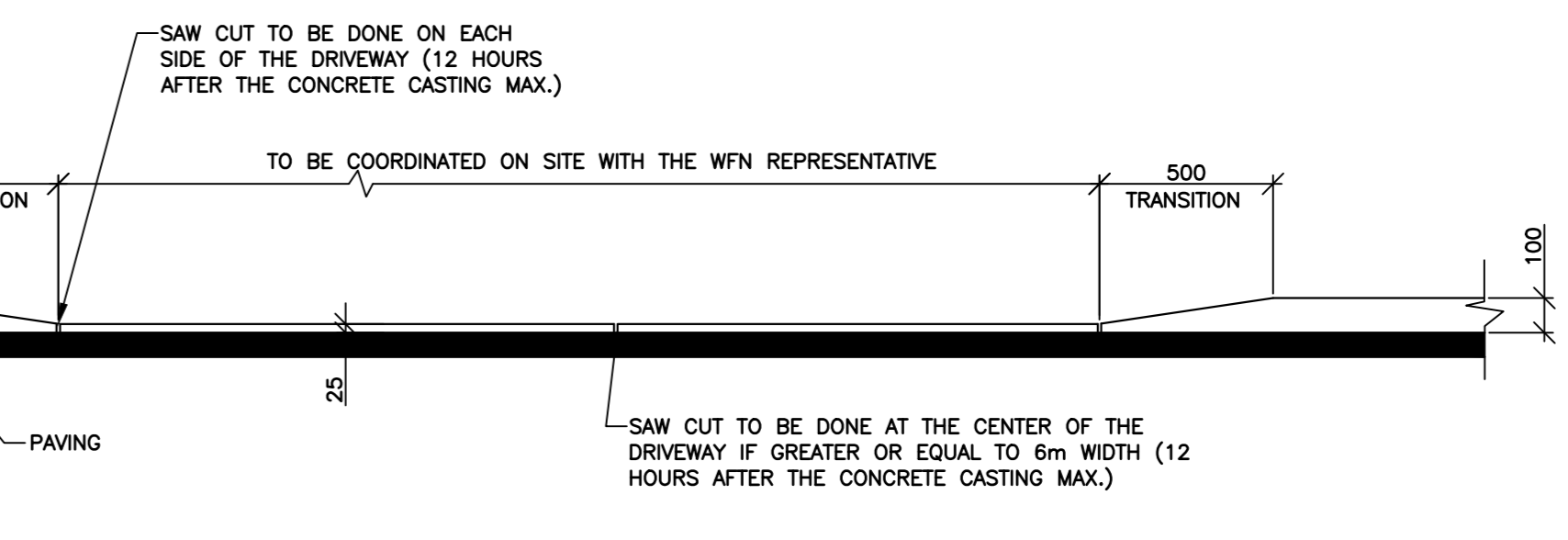
TYPICAL DETAIL - CAST-IN-PLACE CONCRETE ROAD CURB
 SCALE = NONE



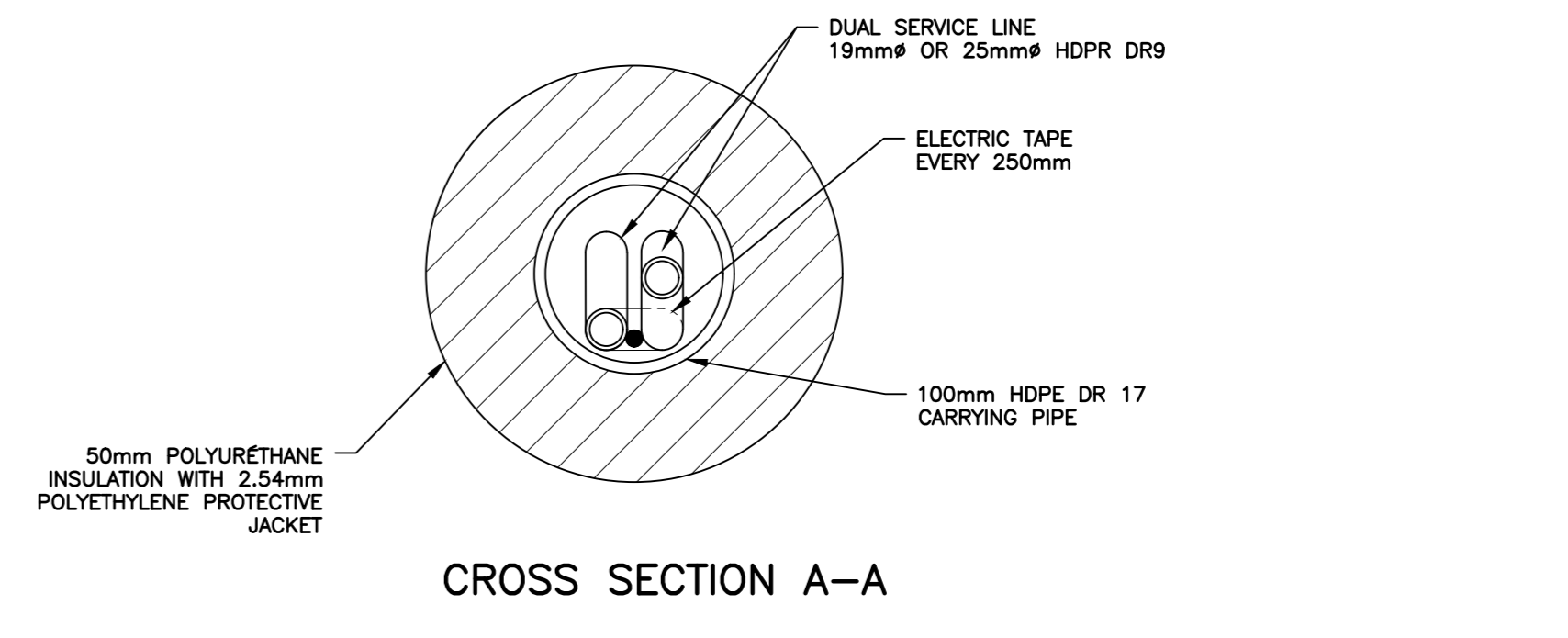
TYPICAL DETAIL - CARRYING PIPE WITH SUPPLY LINES
 SCALE = NONE



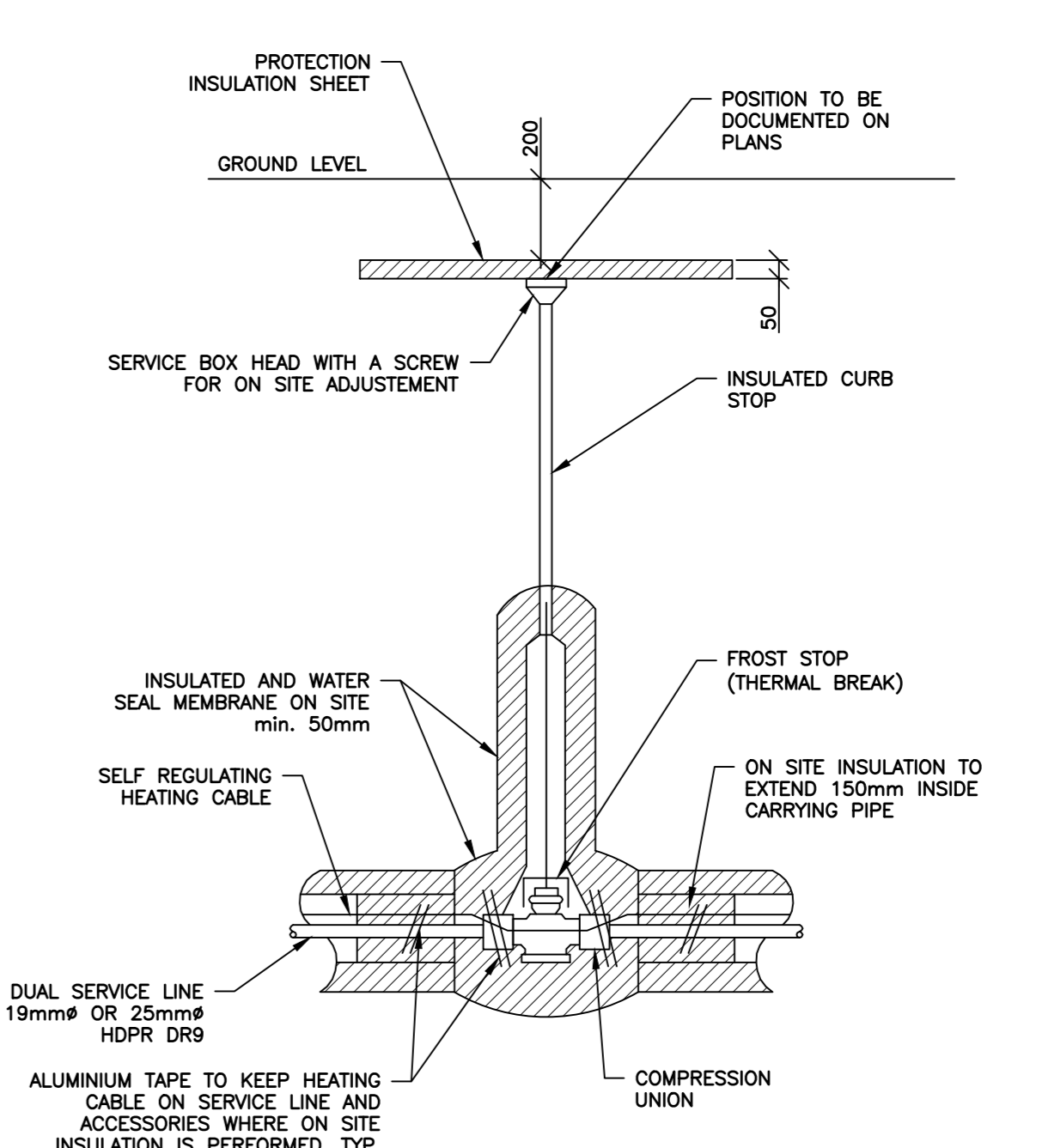
DETAIL A SERVICE LINE CONNECTION
 SCALE = NONE



TYPICAL DETAIL - FRONT VIEW CURB FOR DRIVEWAY
 SCALE = NONE



CROSS SECTION A-A



DETAIL B - CURB STOP
 SCALE = NONE

THIS PLAN SHOULD BE USED FOR CONSTRUCTION ONLY IF IT IS SIGNED AND SEALED BY AN ENGINEER AND THE NOTICE "FOR CONSTRUCTION" APPEAR IN THE REVISION LIST

No.	Date	FOR LIST OF MATERIAL	Description	Per
01	2019/03/01			Y.D.

CONCUP PAR		VERSE PAR	

INGÉNIEUR:

CLIENT:

WHAPMAGOUSTUI FIRST NATION

PROJECT:

STORM DRAINAGE CONSTRUCTION AND SANITARY SEWER REPLACEMENT

TITRE DU DESSIN:

DETAILS (1/2)

DISCIPLINE:

INFRASTRUCTURE

DESSIN PAR:

F. Ampleman

RAPPORT:

1:250

CONCUP PAR:

Y. Durand eng

DATE:

2019/03/01

PROJET No:

Q182489A

DESSIN No:

C15

2019 ENCHUKW ST. SANITARY SEWER

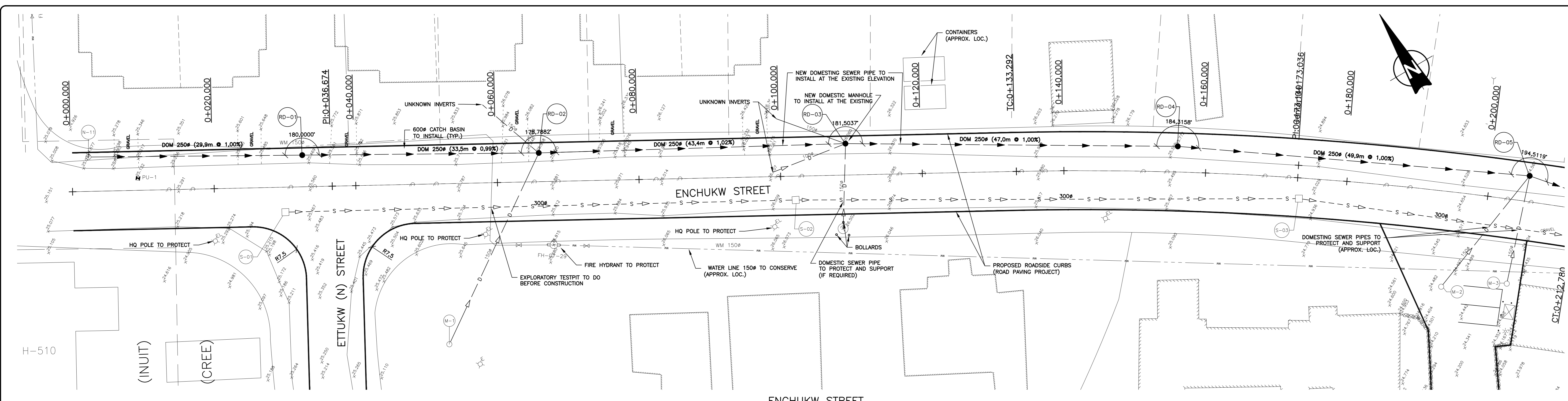
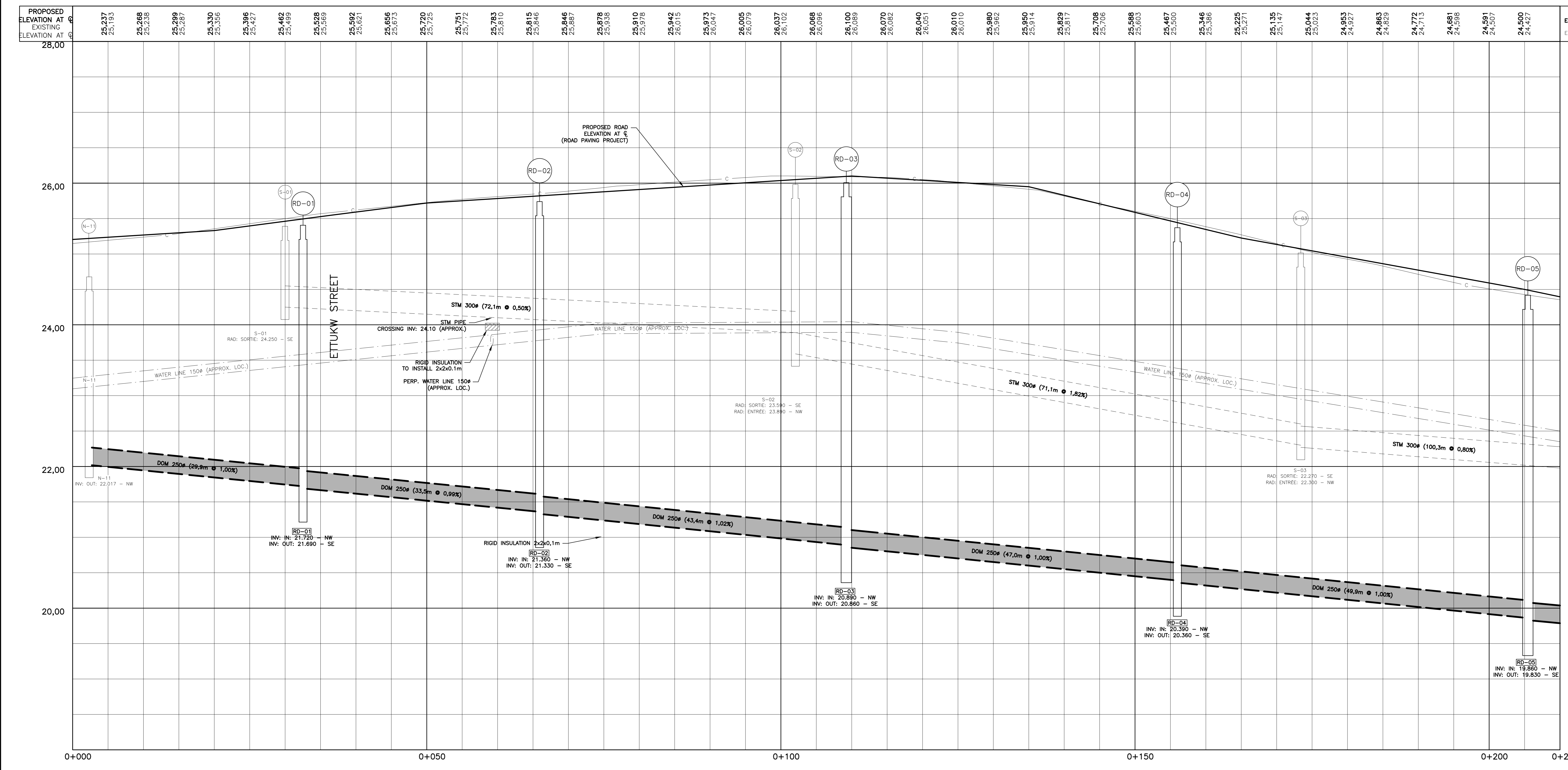
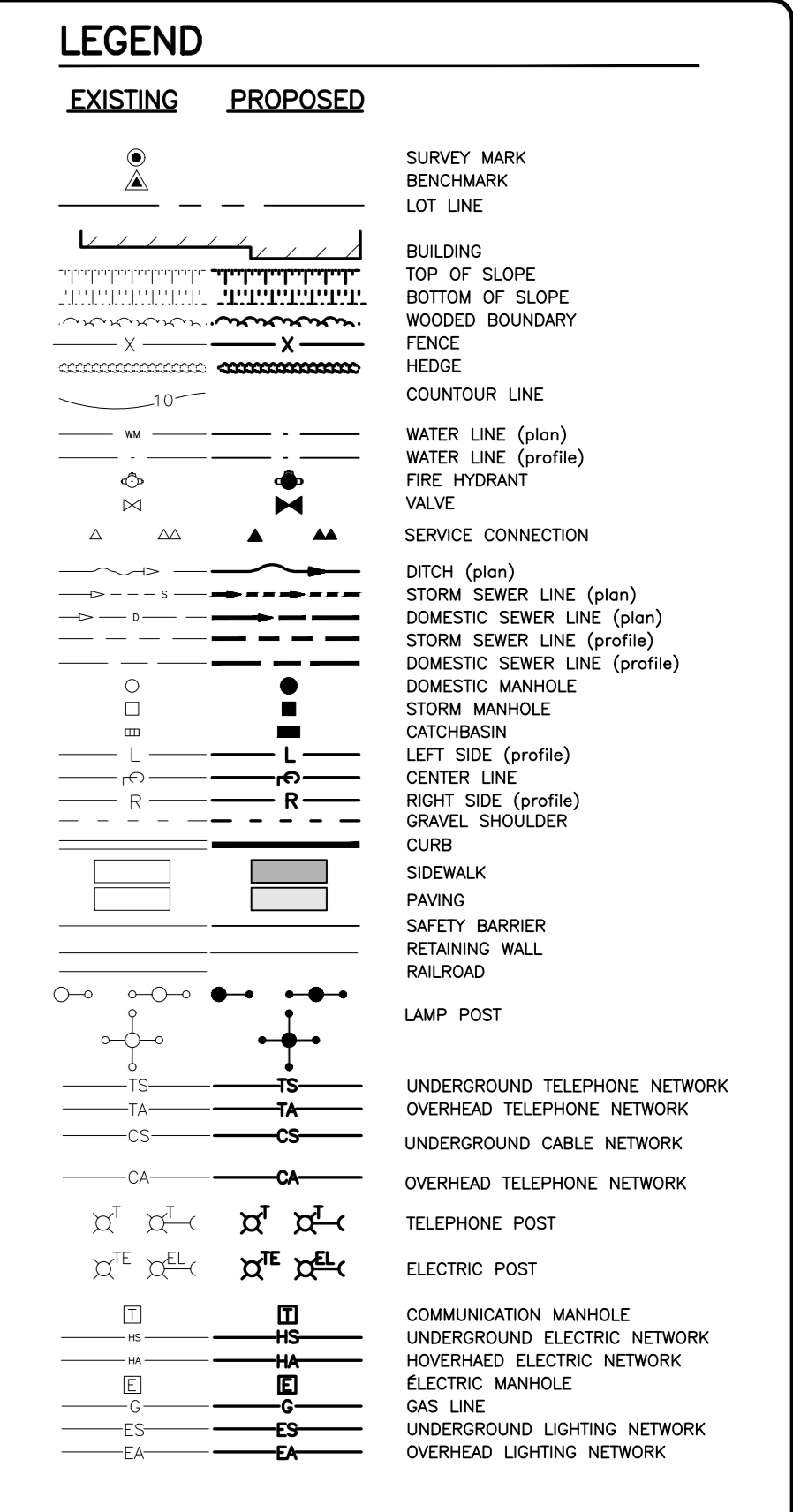


TABLEAU DES REGARDS SANITAIRES	
No.	DETAILS DE LA STRUCTURE
RD-01 900#	DESSUS = 25,406 FOND = 21,390 HAUTEUR TOT. = 4,0 m RAD. ENTREE: 21,720 - NW RAD. ORTEE: 21,690 - SE
RD-02 900#	DESSUS = 25,739 FOND = 21,030 HAUTEUR TOT. = 4,7 m RAD. ENTREE: 21,360 - NW RAD. ORTEE: 21,330 - SE
RD-03 1200#	DESSUS = 26,006 FOND = 20,560 HAUTEUR TOT. = 5,4 m RAD. ENTREE: 20,890 - NW RAD. ORTEE: 20,860 - SE
RD-04 900#	DESSUS = 25,371 FOND = 20,060 HAUTEUR TOT. = 5,3 m RAD. ENTREE: 20,390 - NW RAD. ORTEE: 20,360 - SE
RD-05 1200#	DESSUS = 24,418 FOND = 19,530 HAUTEUR TOT. = 4,9 m RAD. ENTREE: 19,860 - NW RAD. ORTEE: 19,830 - SE



18-09-27	SITE INSTRUCTION - SI-02	A.D.
18-04-24	FOR LIST OF MATERIAL	Y.D.
19-03-07	PRELIM FOR INFO ESTIMATE	Y.D.
DATE	REVISIONS	INT.

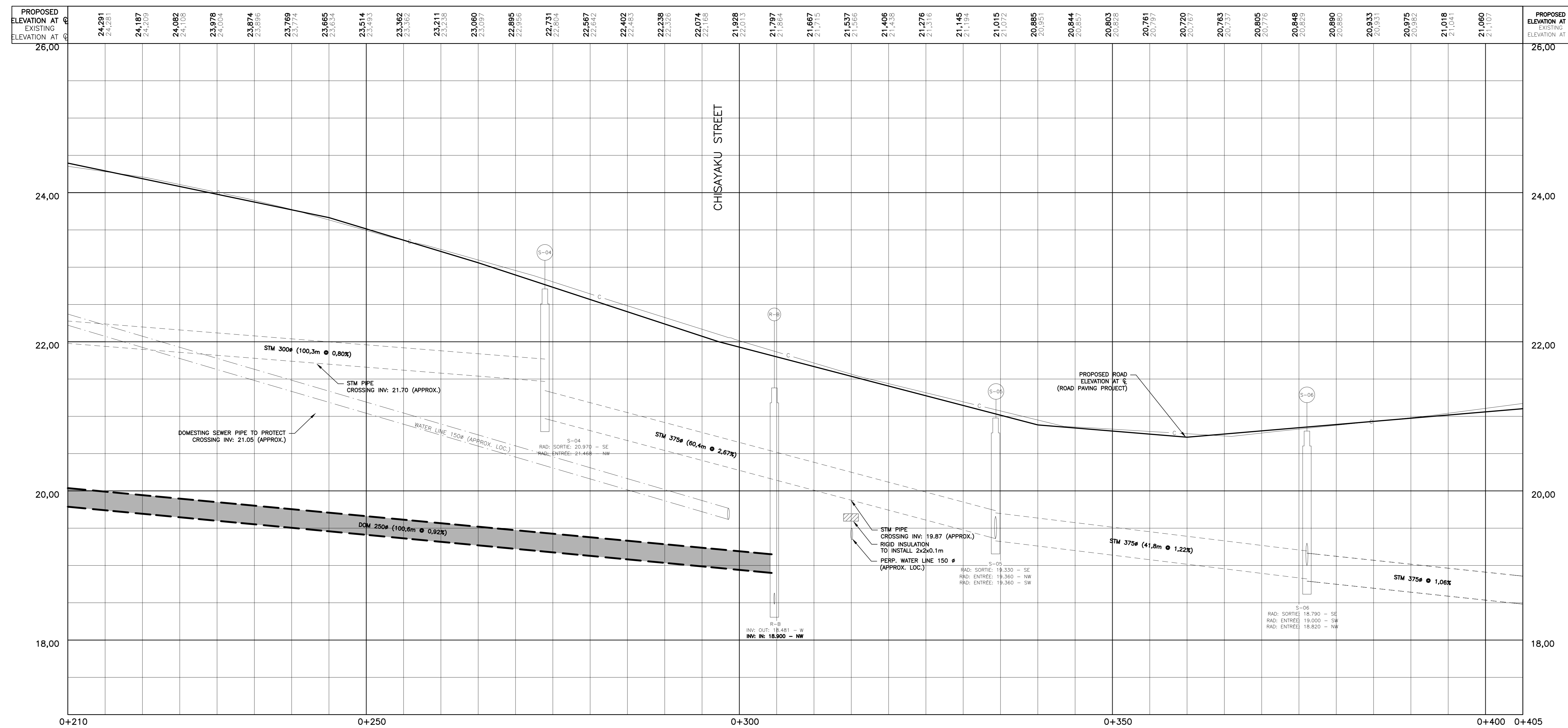
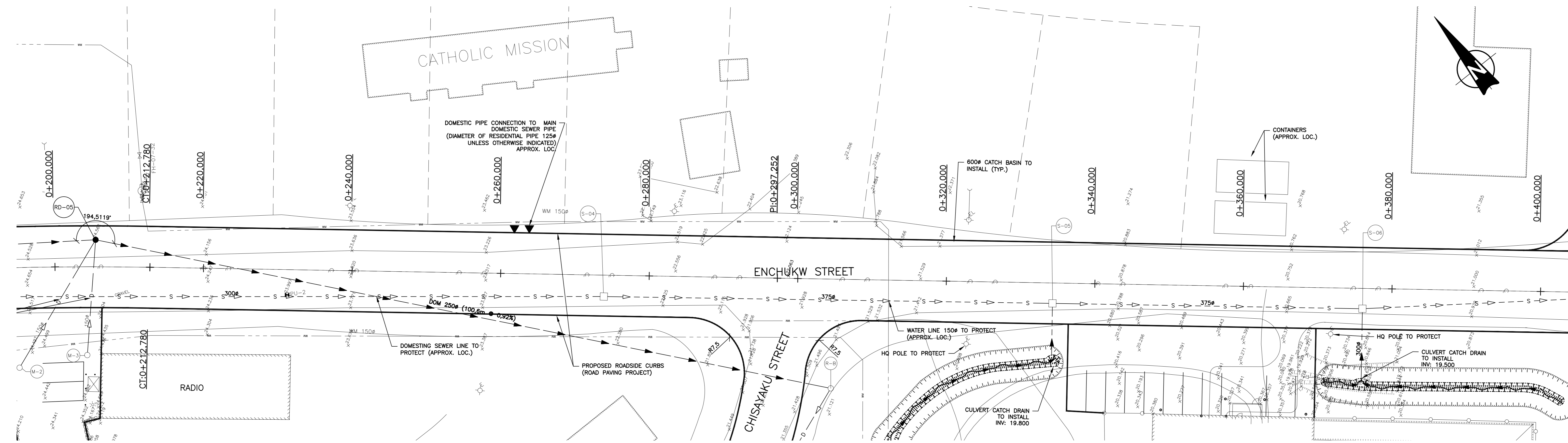
THIS PLAN SHOULD BE USED FOR CONSTRUCTION ONLY IF IT IS SIGNED AND SEALED BY AN ENGINEER AND THE NOTICE FOR CONSTRUCTION APPEAR IN THE REVISION LIST

CIMA Partners in excellence Q182489A
 300-1145 Lebourgneuf Blvd
 Québec QC G2K 2K6
 Phone: 418 623-3373
 Fax: 418 623-3321
 www.cima.ca

WHAPMAGOOSTUI FIRST NATION
 STORM DRAINAGE CONSTRUCTION AND SANITARY SEWER REPLACEMENT ON ENCHUKW STREET

ENCHUKW STREET
 0+000 @ 0+210
 SANITARY SEWER

SURVEY: Audrey Leclerc	DESIGN: Andr�anne Dumont, Ing.
DRAWN: F. Ampleman	CHECKED: Yves Durand, Ing.
DATE: 2018-04-24	SCALE: HOR.: 1:250 VER.: 1:25
PROJECT No.: Q182489A	
DRAWING No.: C01/C02	



LEGEND

EXISTING	PROPOSED	DESCRIPTION
⊙	⊙	SURVEY MARK
⊙	⊙	BENCHMARK
---	---	LOT LINE
---	---	BUILDING
---	---	TOP OF SLOPE
---	---	BOTTOM OF SLOPE
---	---	WOODED BOUNDARY
---	---	FENCE
---	---	HEDGE
---	---	COUNTOUR LINE
---	---	WATER LINE (plan)
---	---	WATER LINE (profile)
---	---	FIRE HYDRANT
---	---	VALVE
---	---	SERVICE CONNECTION
---	---	STORM SEWER LINE (plan)
---	---	DOMESTIC SEWER LINE (plan)
---	---	DOMESTIC SEWER LINE (profile)
---	---	STORM MANHOLE
---	---	STORM MANHOLE
---	---	CATCH BASIN
---	---	LEFT SIDE (profile)
---	---	CENTER LINE
---	---	RIGHT SIDE (profile)
---	---	GRAVEL SHOULDER
---	---	CURB
---	---	SIDEWALK
---	---	PAVING
---	---	SAFETY BARRIER
---	---	RETAINING WALL
---	---	RAILROAD
---	---	LAMP POST
---	---	UNDERGROUND TELEPHONE NETWORK
---	---	OVERHEAD TELEPHONE NETWORK
---	---	UNDERGROUND CABLE NETWORK
---	---	OVERHEAD TELEPHONE NETWORK
---	---	TELEPHONE POST
---	---	ELECTRIC POST
---	---	COMMUNICATION MANHOLE
---	---	UNDERGROUND ELECTRIC NETWORK
---	---	OVERHEAD ELECTRIC NETWORK
---	---	ELECTRIC MANHOLE
---	---	GAS LINE
---	---	UNDERGROUND LIGHTING NETWORK
---	---	OVERHEAD LIGHTING NETWORK

DATE	REVISIONS	INIT.
18-09-27	SITE INSTRUCTION - SI-02	A.D.
18-04-24	FOR LIST OF MATERIAL	Y.D.
19-03-07	PRELIM FOR INFO ESTIMATE	Y.D.

THIS PLAN SHOULD BE USED FOR CONSTRUCTION ONLY IF IT IS SIGNED AND SEALED BY AN ENGINEER AND THE NOTICE FOR CONSTRUCTION APPEAR IN THE REVISION LIST

CIMA Partners in excellence
 300-1145 Lebourgneuf Blvd
 Québec QC G2K 2K8
 Phone: 418 623-3373
 Fax: 418 623-3321
 www.cima.ca

SEAL :

WHAPMAGOOSTUI FIRST NATION
 STORM DRAINAGE CONSTRUCTION AND SANITARY SEWER REPLACEMENT ON ENCHUKW STREET

ENCHUKW STREET
 0+200 @ 0+400
 SANITARY SEWER

DATE	SCALE	HOR. VER.
2018-04-24	1:250	1:25

PROJECT No.: Q182489A
 DRAWING No.: C02/C02